

CF35ZA-1S

Technical Datasheet

1.1"

FUJINON
FUJIFILM



Fujinon CF-ZA-1S Series

ORDER NOW 

Fujifilm's Fujinon CF-ZA-1S series lenses offer a 2.1 μ m resolving power (equivalent to 23.0 megapixels) and are designed for use with 1.1" and smaller sensors. The CF-ZA-1S series is available in 6 variants from 8 mm to 50 mm and feature Fujinon's 4DHR technology which allow them to provide highly consistent image sharpness across both the center and outer extremities of the lens.

Specification Highlights

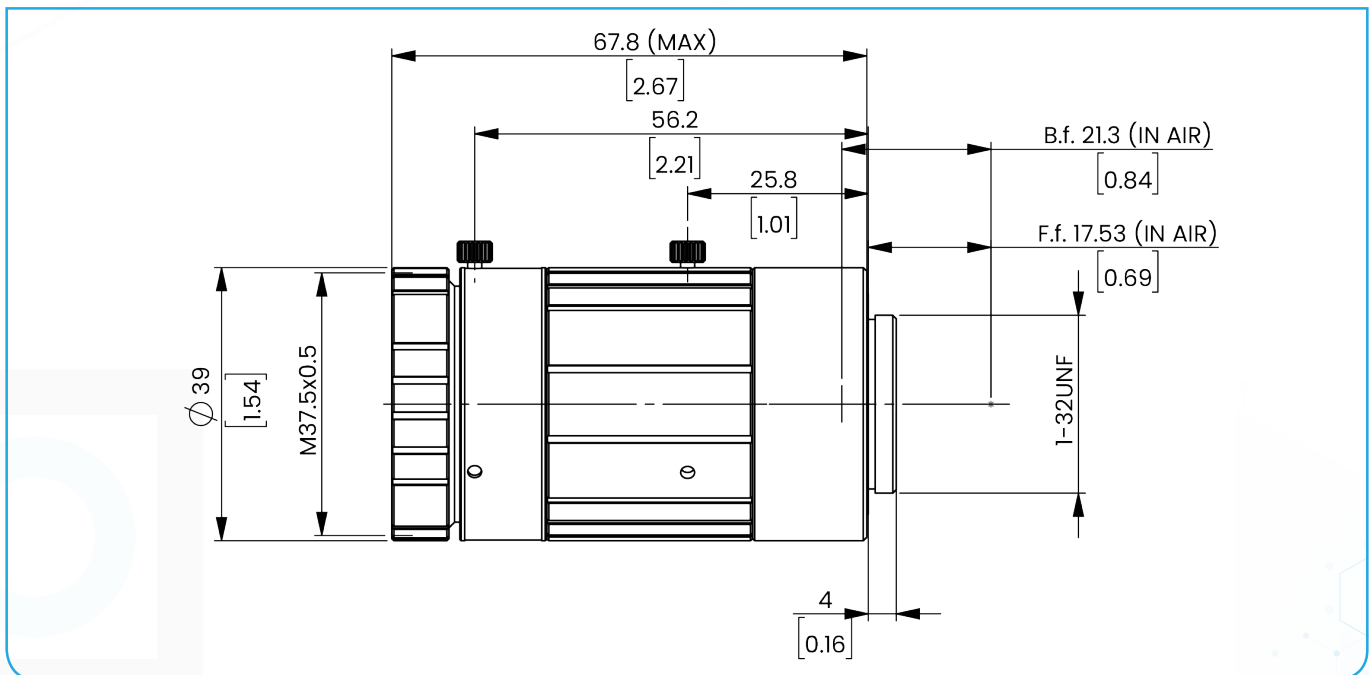
FOCAL LENGTH: 35 mm
FORMAT: 1.1"
PIXEL SIZE: 2.74 μ m
LENS MOUNT: C-Mount
APERTURE: F1.8-F16

WORKING DISTANCE: 200 mm - Infinity
FILTER THREAD: M37.5 x 0.5
WEIGHT: 165 grams
RESOLUTION MP: 12-23 MP
LENS CLASS: Fixed Focal Length

Full Specifications

Focal Length	35 mm	Flange Back	17.526 mm
Focal Length Design Value	34.78 mm	Entrance Pupil Position (From Mount)	-26.59 mm
Iris Range (f-number)	F1.8-F16	Exit Pupil Position (From Image Plane)	-102.02 mm
Angle of View	23.0° x 17.3° (2/3")	Front Principal Point (From Mount)	-4.54 mm
Working Distance (From Front of Lens Barrel)	200 mm - Infinity	Rear Principal Point (From Mount)	-17.25 mm
Operation of Focus	Manual	Distance Between Principal Points	-12.71 mm
Operation of Iris	Manual	TV Distortion	-0.32%
Filter Thread	M37.5 x 0.5	Dimensions	φ39 × 67.3
Mount	C-Mount	Chief Ray Angle	4.53°
Weight	165 Grams	Relative Illumination (Aperture F4.0; Image Height at Diagonal)	92%
Sensor Size (Standard)	1.1" (2.74 μm)	Relative Illumination (Aperture at Full Open; Image Height at Diagonal)	37%
Back Focal Length (In Air)	21.30 mm	Operation Temperature	-10°C - +50°C

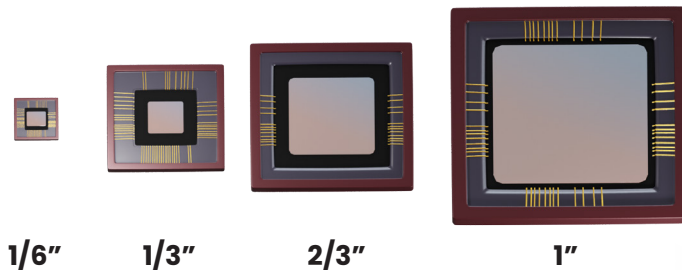
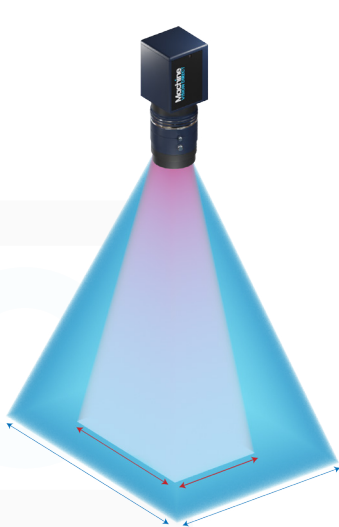
Dimensions



CF35ZA-1S REFERENCE FOV CHART

Working Distance (mm)	Optical Magnification	Extension Ring	Field of View (mm)													
			4.3"		1.2"		1.1"		1"		1/1.2"		2/3"		1/1.8"	
			H	V	H	V	H	V	H	V	H	V	H	V	H	V
1000	0.034x	-	541.2	403.7	462.0	345.0	421.3	314.9	382.5	286.0	262.0	196.2	319.7	239.3	211.8	158.7
950	0.036x	-	515.0	384.1	439.6	328.3	400.9	299.6	363.9	272.1	249.3	186.7	304.2	227.7	201.5	151.0
900	0.038x	-	488.8	364.6	417.2	311.6	380.5	284.3	345.4	258.3	236.6	177.2	288.7	216.1	191.2	143.3
850	0.040x	-	462.6	345.0	394.8	294.9	360.1	269.1	326.9	244.4	223.9	167.7	273.2	204.5	180.9	135.6
800	0.042x	-	436.4	325.4	372.5	278.1	339.6	253.8	308.3	230.5	211.2	158.2	257.7	192.8	170.7	127.9
750	0.045x	-	410.2	305.9	350.1	261.4	319.2	238.5	289.8	216.7	198.5	148.6	242.2	181.2	160.4	120.2
700	0.048x	-	384.0	286.3	327.7	244.7	298.8	223.3	271.2	202.8	185.8	139.1	226.7	169.6	150.1	112.5
650	0.051x	-	357.7	266.7	305.3	227.9	278.4	208.0	252.7	188.9	173.1	129.6	211.2	158.0	139.8	104.8
600	0.056x	-	331.5	247.1	282.9	211.2	257.9	192.7	234.1	175.0	160.3	120.1	195.6	146.4	129.6	97.1
550	0.060x	-	305.3	227.5	260.5	194.4	237.5	177.4	215.5	161.1	147.6	110.5	180.1	134.8	119.3	89.4
500	0.066x	-	279.0	207.9	238.0	177.7	217.0	162.1	197.0	147.2	134.9	101.0	164.6	123.1	109.0	81.6
450	0.073x	-	252.7	188.3	215.6	160.9	196.5	146.8	178.4	133.3	122.1	91.4	149.0	111.5	98.7	73.9
400	0.082x	-	226.4	168.6	193.1	144.1	176.0	131.4	159.7	119.4	109.4	81.9	133.5	99.8	88.4	66.2
350	0.093x	-	200.0	148.9	170.6	127.2	155.5	116.1	141.1	105.4	96.6	72.3	117.9	88.2	78.0	58.4
300	0.107x	-	173.6	129.2	148.0	110.4	134.9	100.7	122.4	91.4	83.8	62.7	102.2	76.5	67.7	50.7
250	0.127x	-	147.1	109.4	125.3	93.4	114.2	85.2	103.6	77.4	70.9	53.1	86.6	64.7	57.3	42.9
200	0.156x	-	120.4	89.5	102.5	76.4	93.4	69.7	84.8	63.3	58.0	43.4	70.8	52.9	46.8	35.1
150	0.201x	1.5	93.3	69.3	79.5	59.2	72.4	54.0	65.7	49.0	44.9	33.6	54.8	41.0	36.2	27.1
100	0.282x	5	65.6	48.6	55.8	41.5	50.8	37.8	46.0	34.3	31.4	23.5	38.4	28.7	25.4	19.0

FOV Charts are intended to be used as general guidance and are not guaranteed to be accurate as all sensors do not have the same dimensions, including sensors with the same format size. For the most accurate approximations, please use a lens calculator that accounts for your specific sensor dimensions



Sensor Formats

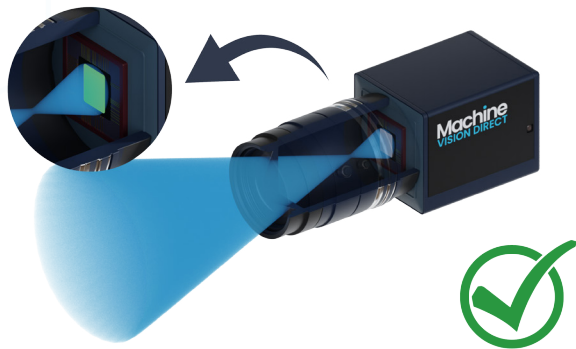
It is important to make sure you size your lens to the correct sensor size (format). The image you get from a 2/3" format lens will provide a smaller Field of View when used with a 1/3" format sensor than it will provide when used with a 2/3" format sensor, even with the same working distance

Sensor Size Compatibility Chart

Model	Compatible format sizes									Focal length (mm)
	4/3	1.2	1.1	1	1/1.2	2/3	1/1.8	1/2	1/3	
CF8ZA-1S	-	•	•	•	•	•	•	•	•	8
CF12ZA-1S	-	•	•	•	•	•	•	•	•	12
CF16ZA-1S	-	•	•	•	•	•	•	•	•	16
CF25ZA-1S	-	•	•	•	•	•	•	•	•	25
CF35ZA-1S	-	•	•	•	•	•	•	•	•	35
CF50ZA-1S	-	•	•	•	•	•	•	•	•	50

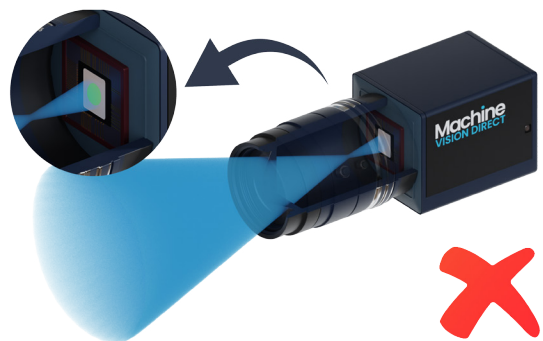
- Compatible sensor size (std.): Ideal size to maximize the target resolution.

Please note that not all sizes of sensors are listed on this chart. It is generally okay to use larger format lenses with smaller format sensors, but not the other way around



Properly Sized Lens Format

A camera with a properly sized lens will project an image that will cover the whole sensor



Undersized Lens Format

A camera with an undersized lens format will project an image that will not cover the whole sensor. This will cause vignetting of the image

CF-ZA-1S SERIES LENSES



CF8ZA-1S

FOCAL LENGTH: 8 mm
APERTURE: F1.8-F16
WORKING DISTANCE: 100 mm - Infinity
FORMAT: 1.1"
FILTER THREAD: M52 x 0.75

ORDER NOW 



CF12ZA-1S

FOCAL LENGTH: 12 mm
APERTURE: F1.8-F16
WORKING DISTANCE: 100 mm - Infinity
FORMAT: 1.1"
FILTER THREAD: M37.5 x 0.5

ORDER NOW 



CF16ZA-1S

FOCAL LENGTH: 16 mm
APERTURE: F1.8-F16
WORKING DISTANCE: 100 mm - Infinity
FORMAT: 1.1"
FILTER THREAD: M37.5 x 0.5

ORDER NOW 



CF25ZA-1S

FOCAL LENGTH: 25 mm
APERTURE: F1.8-F16
WORKING DISTANCE: 100 mm - Infinity
FORMAT: 1.1"
FILTER THREAD: M37.5 x 0.5

ORDER NOW 



CF35ZA-1S

FOCAL LENGTH: 35 mm
APERTURE: F1.8-F16
WORKING DISTANCE: 200 mm - Infinity
FORMAT: 1.1"
FILTER THREAD: M37.5 x 0.5

ORDER NOW 



CF50ZA-1S

FOCAL LENGTH: 50 mm
APERTURE: F2.4-F16
WORKING DISTANCE: 200 mm - Infinity
FORMAT: 1.1"
FILTER THREAD: M37.5 x 0.5

ORDER NOW 

FUJINON LENS SERIES



HF-HA-1S

FOCAL LENGTH: 6 mm, 9 mm, 12.5 mm
 16 mm, 25 mm, 35 mm
 50 mm, 75 mm
PIXEL SIZE: 6.2 μm
FORMAT: 2/3"
RESOLUTION: 1.5 MP

[VIEW SERIES](#)



HF-SA

FOCAL LENGTH: 12.5 mm, 16 mm, 25 mm
 35 mm, 50 mm, 75 mm
PIXEL SIZE: 3.45 μm
FORMAT: 2/3"
RESOLUTION: 5 MP

[VIEW SERIES](#)



HF-XA-5M

FOCAL LENGTH: 6 mm, 8 mm, 12 mm
 16 mm, 25 mm
 35 mm, 50 mm
PIXEL SIZE: 3.45 μm
FORMAT: 2/3"
RESOLUTION: 5 MP

[VIEW SERIES](#)



HF-XA-1F

FOCAL LENGTH: 8 mm, 12 mm, 16 mm
 25 mm, 35 mm
PIXEL SIZE: 3.45 μm
FORMAT: 2/3"
RESOLUTION: 5 MP

[VIEW SERIES](#)



HF-12M

FOCAL LENGTH: 8 mm, 12 mm, 16 mm
 25 mm, 35 mm
PIXEL SIZE: 2.1 μm
FORMAT: 2/3"
RESOLUTION: 12 MP

[VIEW SERIES](#)



CF-ZA-1S

FOCAL LENGTH: 8 mm, 12 mm, 16 mm
 25 mm, 35 mm, 50 mm
PIXEL SIZE: 2.74 μm
FORMAT: 1.1"
RESOLUTION: 23 MP

[VIEW SERIES](#)



CF-HA

FOCAL LENGTH: 12.5 mm, 16 mm, 25 mm
 35 mm, 50 mm, 75 mm
PIXEL SIZE: 7.4 μm
FORMAT: 1"
RESOLUTION: 1.5 MP

[VIEW SERIES](#)



FE185

FOCAL LENGTH: 6 mm, 9 mm, 12.5 mm
 16 mm, 25 mm, 35 mm
 50 mm, 75 mm
PIXEL SIZE: 6.2 μm
FORMAT: 2/3"
RESOLUTION: 1.5 MP

[VIEW SERIES](#)

Company and product names mentioned in this datasheet are trademarks or registered trademarks of their respective owners.

Fujifilm, Fujinon, Machine Vision Direct, LLC and all of the subsidiaries and parent companies of the aforementioned companies cannot be held responsible for any technical or typographical errors and reserve the right to make changes to products and documentation without prior notice

Revision 6/11/2023