

12 11 10 9 8 7 6 5 4 3 2 1

F

F

E

E

D

D

C

C

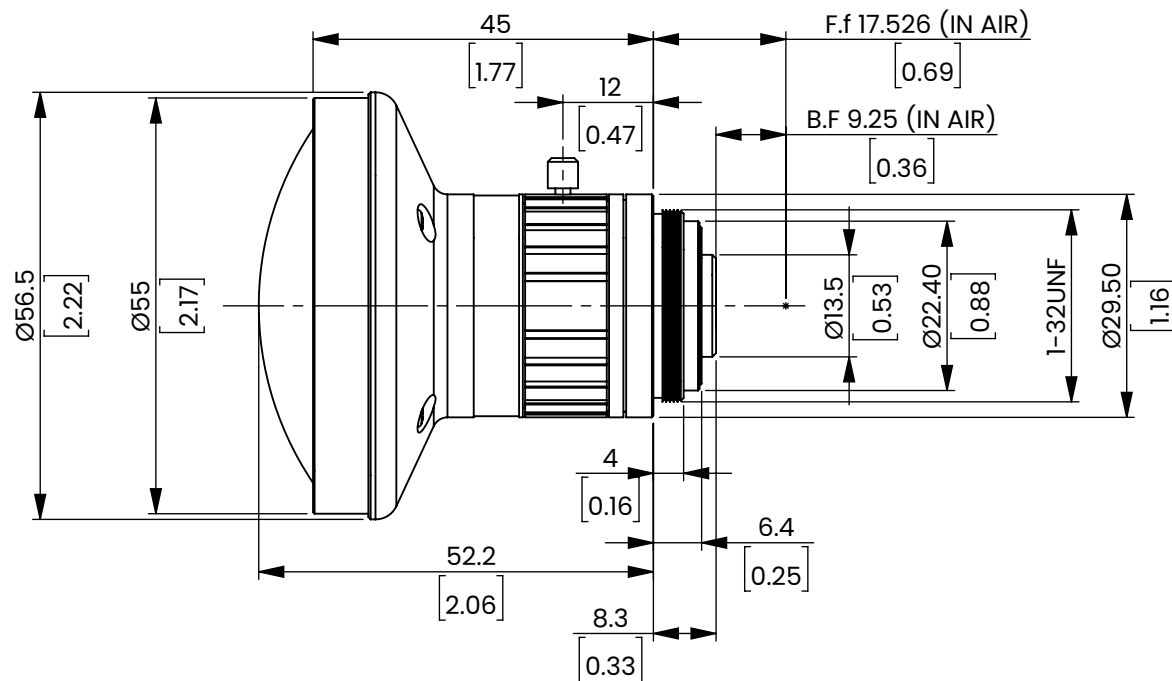
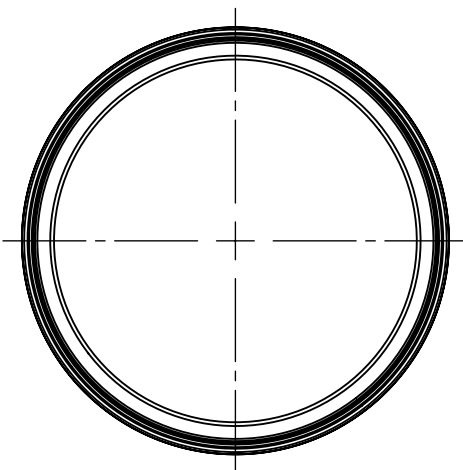
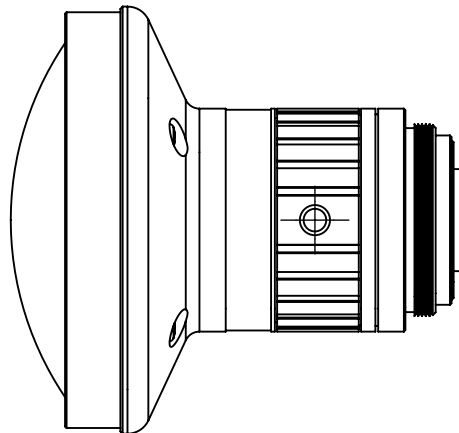
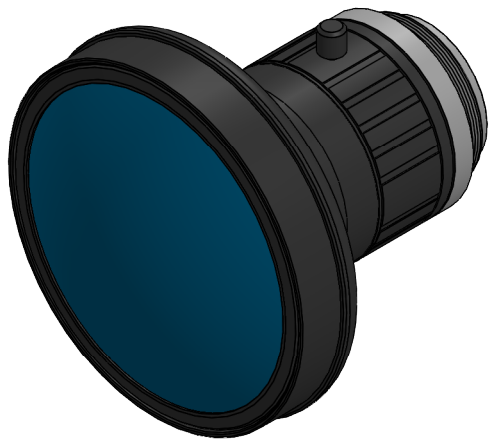
B

B

A

A

12 11 10 9 8 7 6 5 4 3 2 1



This drawing is provided for reference only. It is not approved for manufacturing and the actual component can vary. We encourage that any discrepancies are reported to our CAD department at CAD@MachineVisionDirect.com.
 For Quotes and Support: Support@MachineVisionDirect.com
 +1 (800) 834-5588 | MachineVisionDirect.com

This item is sold and supported worldwide by Machine Vision Direct		NAME	DATE
DRAWN	S. Shaikh	04/30/23	
CHECKED			
SIZE	PART NUMBER	REV	
A	FE185C086HA-1	A	
MANUFACTURER: Fujinon			
SCALE: 1:1		ALL DIMENSIONS ARE IN MILLIMETERS	