

## LP415 UV BLOCK A/R PROTECTIVE WINDOW

### MidOpt Protective Filters

MidOpt specializes in manufacturing custom made Protective Windows, which can be designed for nearly any type or size application at any wavelength range requirement. MidOpt custom windows can be manufactured from different substrates and include various coatings depending on the application requirements.

- Glass, acrylic, polycarbonate, sapphire and other substrates
- Oleophobic, anti-reflection, anti-smudge, anti-fog and hydrophobic coatings available
- Chemically strengthened glass options, including Gorilla Glass®
- Wavelength and polarization filtering
- Adhesive backing for easy fastening
- Custom silk screening service for borders, masking, fiducial marks, logos or patterns
- Available with various mounting configurations based on need



### Protective Filter Applications

MidOpt Protective Filters are used to protect expensive or fragile optical elements from environmental hazards such as liquids, dust, dirt, and other debris.

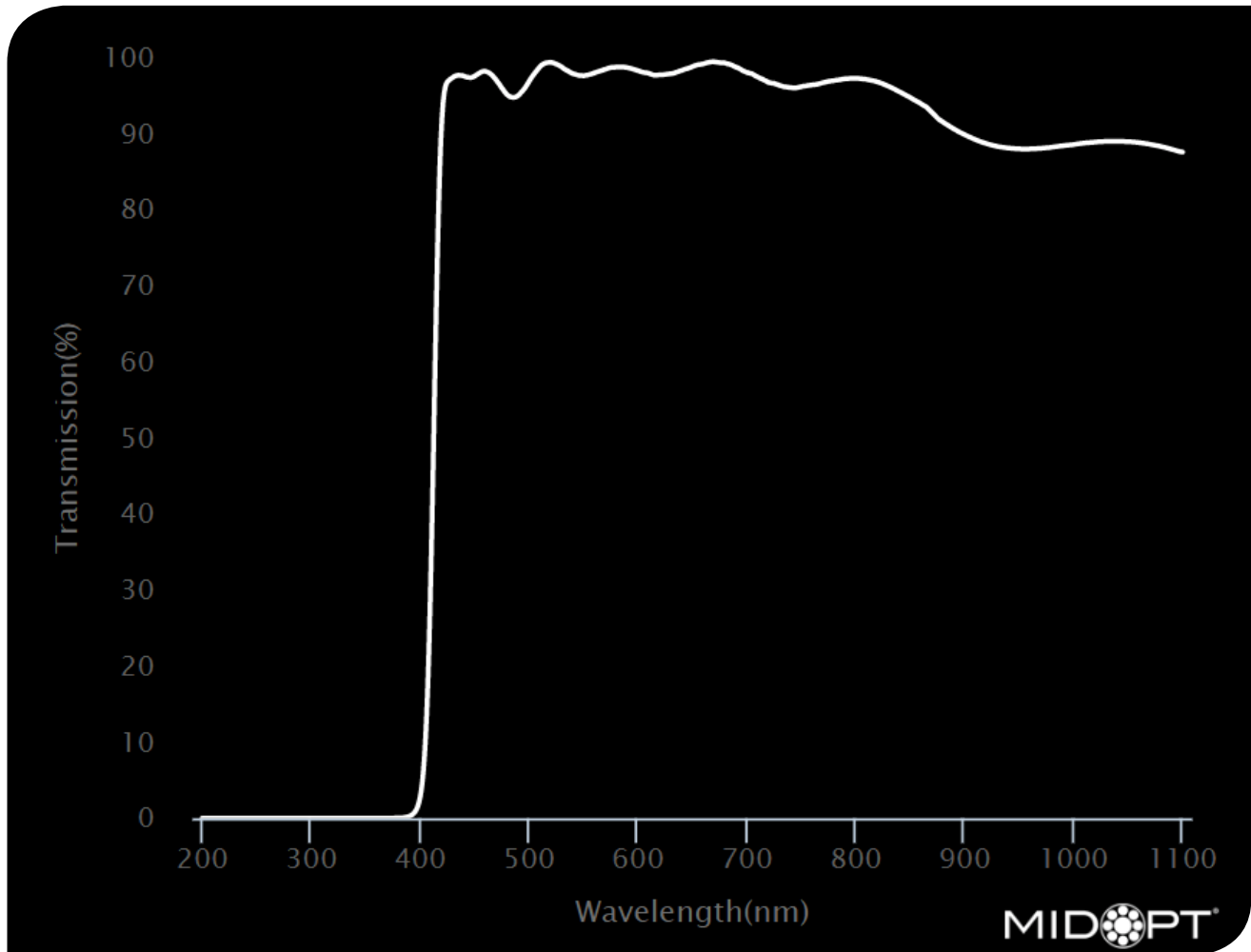
### LP Series - Protective Filters

- Variety of materials available with different physical properties
- Sapphire option for weld resistance
- Fused Silica option for low thermal expansion and high shock resistance
- Borofloat option for excellent strength, thermal, mechanical and solar properties (similar to that of Pyrex)
- Glass options for low-cost protection where dust covers are required
- Anti-Reflective coated glass offers low cost dust protection with improved optical properties
- UV Absorptive and Blocking Options to protect UV sensitive imagers from damaging Ultra-Violet light
- Germanium option for thermal imaging and LWIR (long-wave infrared)

**APPLICATIONS:** Protective filters are useful in nearly all imaging and sensing applications where optical protection is necessary from environmental contaminants

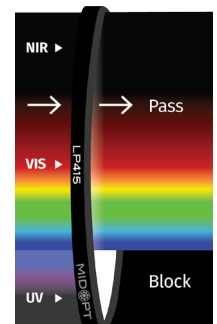
# LP415

Protective Filters



<b>Useful Range:</b>	415-1100nm
<b>Cut-on Wavelength 50% T:</b>	415nm
<b>Tolerance:</b>	+/- 10nm
<b>Peak Transmission:</b>	≥95%
<b>Surface Quality:</b>	40/20

LP415 filters reflect the full UV spectrum, and will not solarize over time, effectively blocking most of the light emitted by 395nm and shorter wavelength UV LEDs. These filters also act as a protection window for lenses and are well suited for color imaging applications. The substrate material is Borofloat®, meaning LP415 can tolerate temperatures up to 500°C and is shock resistant. For more demanding (non-imaging) applications, LP415 is also available from stock on drawn fused quartz sheet material (≤1000°C).



**LP415 TRANSMISSION DATA (TYPICAL)**

Wavelength (nm)	Transmission (%)
1100	87.60
1090	87.97
1080	88.34
1070	88.63
1060	88.85
1050	88.98
1040	89.02
1030	89.01
1020	88.93
1010	88.79
1000	88.59
990	88.43
980	88.25
970	88.10
960	88.02
950	88.02
940	88.13
930	88.34
920	88.72
910	89.23
900	89.88
890	90.65
880	91.55
870	92.79
860	93.94
850	94.77
840	95.54
830	96.26
820	96.82
810	97.15
800	97.29

Wavelength (nm)	Transmission (%)
790	97.24
780	97.00
770	96.73
760	96.44
750	96.19
740	96.09
730	96.35
720	96.74
710	97.47
700	98.06
690	98.76
680	99.32
670	99.48
660	99.20
650	98.85
640	98.32
630	97.91
620	97.75
610	97.96
600	98.31
590	98.72
580	98.79
570	98.48
560	98.03
550	97.63
540	97.92
530	98.79
520	99.40
510	98.82
500	96.90
490	95.04

Wavelength (nm)	Transmission (%)
480	95.14
470	97.05
460	98.22
450	97.57
440	97.60
430	97.41
420	92.03
410	33.28
400	2.79
390	0.25
380	0.04
370	0.01
360	0.01
350	0.00
340	0.00
330	0.00
320	0.01
310	0.00
300	0.00
290	0.00
280	0.00
270	0.00
260	0.00
250	0.00
240	0.00
230	0.00
220	0.00
210	0.01
200	0.01

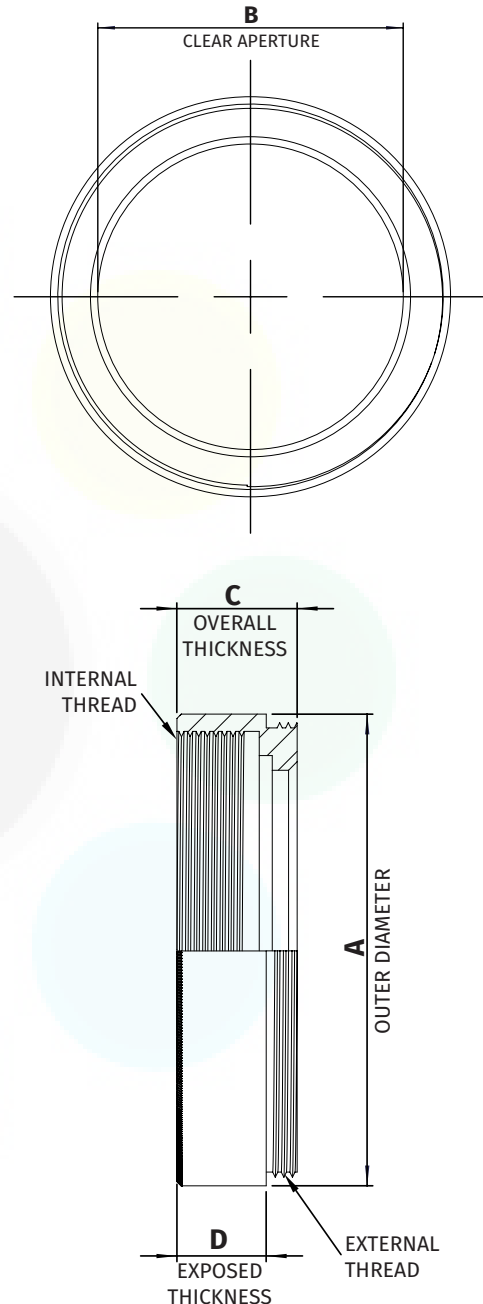


**STANDARD THREADED MOUNT DIMENSIONS**

**NOTES:**

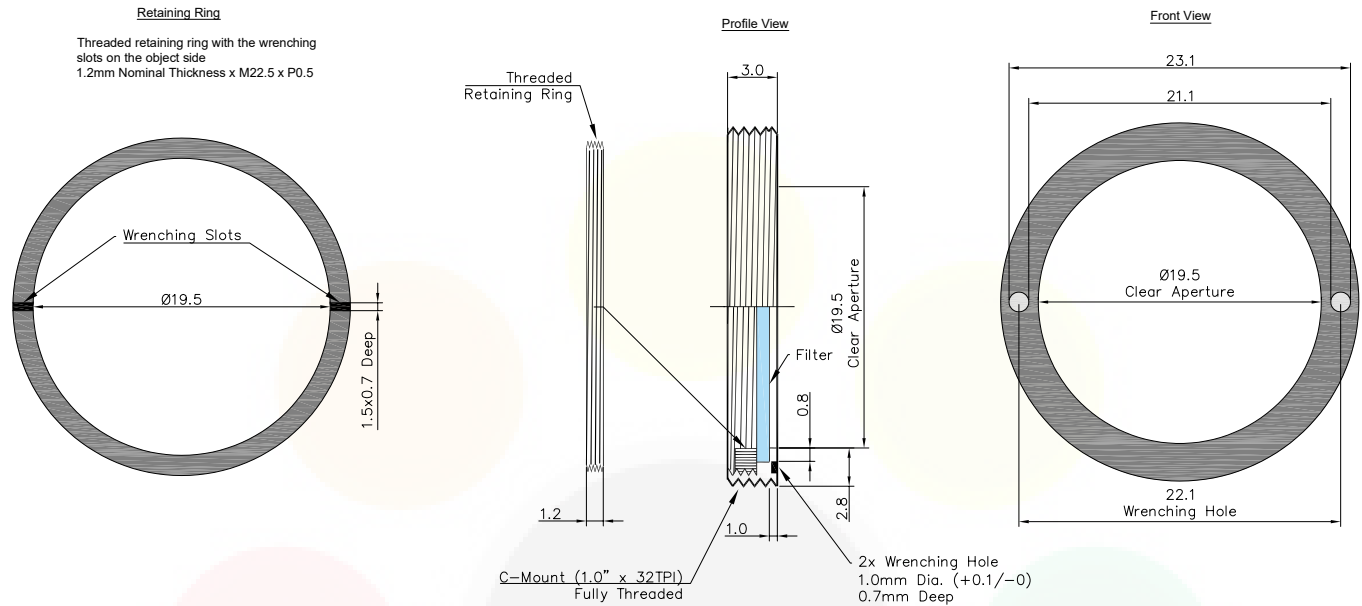
1. Inner and outer threads are of the same size and pitch.
2. Filter mount and retaining ring are black anodized aluminum.
3. All dimensions indicated in mm.
4. Tolerance: +/-0.3mm.

Mount Size	A	B	C	D
M13.25 x P0.5	14.3	10.6	7.5	5.7
M22.5 x P0.5	24	18.5	7	5.2
M25.5 x P0.5	27.5	21	7	5.2
M27 x P0.5	29	22.5	7	5.2
M30.5 x P0.5	32.5	25.5	7	5.2
M34 x P0.5	36	29	7	5.2
M35.5 x P0.5	37.5	30.5	7	5.2
M37 x P0.75	39	31.9	6.5	4.5
M37.5 x P0.5	39.5	32.5	7.2	5.2
M39 x P0.5	41	34	7	5.2
M40.5 x P0.5	42.5	35.5	7	5.2
M43 x P0.75	45	38	7	5.2
M46 x P0.75	48	41	7	5.2
M48 x P0.75	50	43	7	5.1
M49 x P0.75	51	44	7	5.2
M52 x P0.75	54	47	7	5.2
M55 x P0.75	57	50	7	5.2
M58 x P0.75	60	52.9	6.5	4.5
M62 x P0.75	64	57.1	7	5.2
M67 x P0.75	70	61.8	6.5	4.5
M72 x P0.75	75	66.9	6.5	4.5
M77 x P0.75	80	71.9	6.5	4.5
M82 x P0.75	85	76.8	6.5	4.5
M86 x P1.0	89	80.8	6.5	4.5
M95 x P1.0	98.2	89.9	10	7.1
M105 x P1.0	109.8	100	11	8



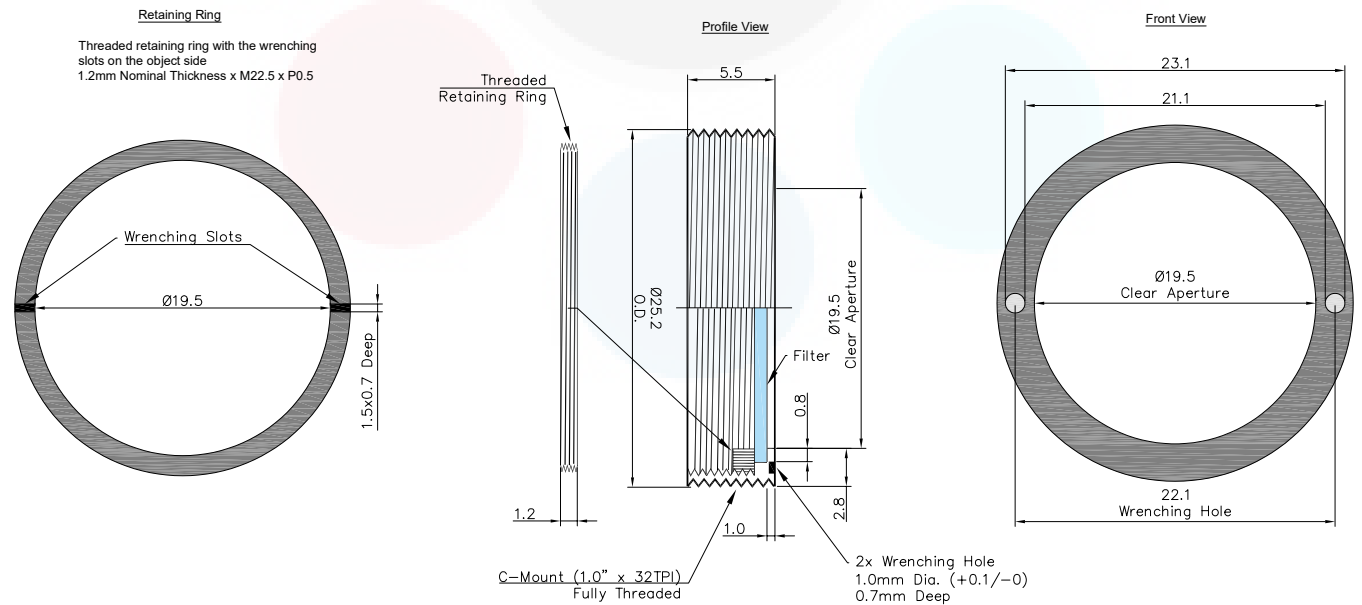
**C-MOUNT DIMENSIONS (-25.4)**

C-Mount is available on filters with a substrate thickness of 1mm or less



**C-MOUNT SIS DIMENSIONS (-25.4-SIS)**

C-Mount SIS is available on filters with a substrate thickness greater than 1mm and less than or equal to 3.5mm



**MOUNTS FOR ANY SYSTEM**



Midwest Optical Systems is the world's leading resource in machine vision filters and optical solutions. MidOpt's innovative filter designs ensure flawless control, dependable results and unmatched image quality. Mounting solutions are available for any system for lenses with and without filter threads, the exclusively designed 25.4™ C-Mount, and custom fabrication of unmounted shapes and sizes.

**Mount Sizes**

› **THREADED**

Mount Size	Pitch
M13.25	0.5
M22.5	0.5
M25.5	0.5
M27	0.5
M30.5	0.5
M34	0.5
M35.5	0.5
M37	0.75
M37.5	0.5
M39	0.5
M40.5	0.5
M43	0.75
M46	0.75
M48	0.75
M49	0.75
M52	0.75
M55	0.75
M58	0.75
M62	0.75
M67	0.75
M72	0.75
M77	0.75
M82	0.75
M86	1.0
M95	1.0
M105	1.0

› **C-MOUNT**

M25.4™

› **SLIP MOUNT**

Outside Diameter Range	Threaded Mount
15.1-19.0	M22.5
19.1-26.5	M30.5
26.6-31.9	M40.5
32.0-40.9	M46
41.0-50.9	M55
51.0-57.9	M62
58.0-68.0	M72
68.1-79.0	M82
79.1-101.0	M105

› **UNMOUNTED**

Custom Shapes & Sizes Available

› **M12 MOUNT**

Outside Diameter Range	Part #
13.2-14.2	S14A
14.3-15.0	S15A



› **THREADED MOUNT** *Designed for Lenses with Filter Threads*

- MidOpt offers the largest variety of filters in-stock and ready to ship
- Sizes available: M13.25-M105
- Black anodized aluminum
- Custom thread sizes are available upon request



CREATE PART #: Select a filter and add a mount size (e.g. M27) Example: BP470-27

› **25.4™ C-MOUNT** *Threads into all C-Mount Cameras*

- 25.4™ C-Mount Camera Filter exclusively designed by MidOpt to thread directly into any C-Mount Camera between the lens and sensor
- Recommended for use with wide angle lenses to prevent vignetting and angle shift
- Helpful in applications with space constraints and lenses without filter threads
- Custom installation wrench included



CREATE PART #: Select a filter and add "-25.4" Example: BP470-25.4

› **SLIP MOUNT** *Designed for Wide Angle Lenses Without Filter Threads*

- Accommodates standard threaded mounts
- Low profile and oversize diameter design prevents wide angle lens vignetting
- Includes black Delrin® Slip Mount adapter plus Threaded Mount Filter



CREATE PART #: Select a filter, use "S" for slip and add the outside diameter of lens in mm (e.g. 43mm) Example: BP470-S43

› **UNMOUNTED**

- Any MidOpt filter type can be provided as an Unmounted Filter
- Custom shapes and sizes are typically available within a two week lead time with many shipped same day



CREATE PART #

CIRCLE: Use "D" and add diameter in mm (e.g. 19mm) Example: BP470-D19

SQUARE: Use "R" and add side measurement in mm (e.g. 15mm) Example: BP470-R15

RECTANGLE: Use "R" and add length in mm (e.g. 30mm) x width in mm (e.g. 15mm) Example: BP470-R30x15

› **CUSTOM SOLUTIONS FOR M12 MOUNT LENSES**

- Offered in aluminum slip mount over the lens
- Can be optically cemented behind the lens



**HOW TO ORDER**

To order a filter with a threaded mount, first select a filter (e.g. BP470) and add the mount size (e.g. M27) to build your part number (e.g. BP470-27).



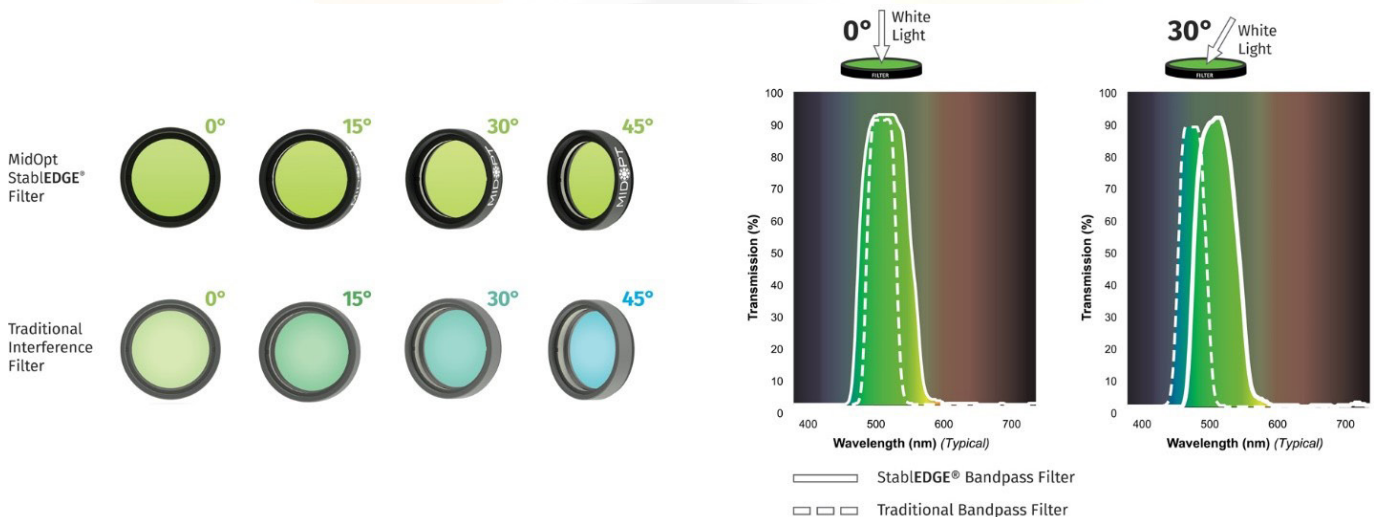


MIDOPT STABLEEDGE®

Minimize the Effects of Short Shifting

MidOpt StablEDGE® optical filters are specifically designed to be less susceptible to effects from angular shifting seen when optical filters are placed in front of short focal length (<12mm) camera lenses. This feature is becoming increasingly important as today’s trend in machine vision imaging progresses towards more compact inspection layouts, which utilize less space – forcing the camera and lens closer to the subject. As a result, short focal length lenses are now more widely used than ever before.

Using a traditional coated interference filter in these more compressed configurations results in contrast loss toward the edges of the image. Because of the angle imposed by the field of view (FOV) of the lens, the passband shifts and allows short wavelength ambient light to overwhelm the subject. Light from LED or laser diode lighting is also cut off. In contrast, peak transmission of MidOpt’s StablEDGE® filters is not significantly altered, and effects due to short shifting are minimized.



StablEDGE® filters take advantage of absorptive filter glass to form the leading edge of the filter passband. This assures no shifting in this region, even when the lens FOV exceeds 100°. Filter glasses also offer far superior lower wavelength blocking of ambient light, sharp transition slopes and unmatched durability. MidOpt’s StablEDGE® Filter cut-off slopes utilize interference filter coatings, however the cut-off slope is positioned to be sufficiently broad, and the Gaussian passband profile ensures that excessive ambient light is not allowed to degrade image contrast. Thus, shifting will not significantly encroach into peak transmission, assuring angular insensitivity over the desired range.

Among all machine vision filter manufacturers, MidOpt is unique in incorporating StablEDGE® technology across a full range of products. StablEDGE® designs are less angle-of-incidence sensitive, inherently more rugged, and are environmentally stable.

