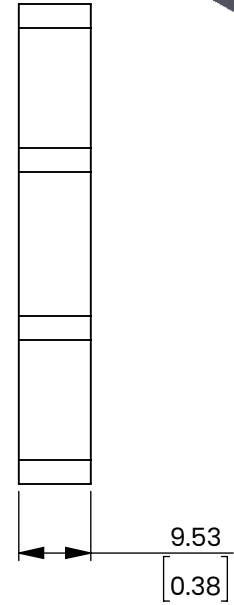
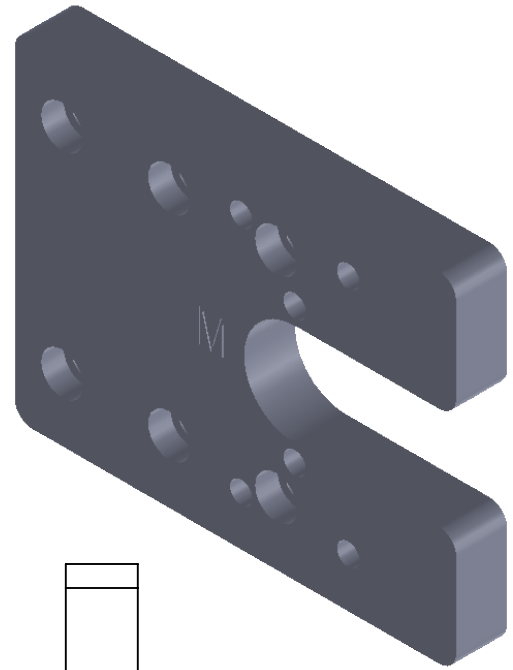


TAG	X LOC	Y LOC
1	[0.35] 8.89	[-0.79] -20
2	[0.35] 8.89	[0.79] 20
3	[1.14] 28.89	[-0.79] -20
4	[1.14] 28.89	[0.79] 20
5	[1.93] 48.90	[-0.79] -20
6	[1.93] 48.90	[0.79] 20
7	[1.67] 42.37	[-0.89] -22.50
8	[1.67] 42.37	[0.89] 22.50
9	[2.06] 52.39	[-0.50] -12.70
10	[2.06] 52.39	[0.50] 12.70
11	[2.46] 62.38	[-0.89] -22.50
12	[2.46] 62.38	[0.89] 22.50



Machine VISION DIRECT
 For Quotes and Support: Support@MachineVisionDirect.com
 +1 (800) 834-5588 | MachineVisionDirect.com
 This drawing is provided for reference only. It is not approved for manufacturing and the actual component can vary. We encourage that any discrepancies are reported to our CAD department at CAD@MachineVisionDirect.com

This item is sold and supported worldwide by Machine Vision Direct		NAME	DATE
SIZE	PART NUMBER	DRAWN	S. Shaikh
A	SLM-580-B-VS	CHECKED	08/09/2023
MANUFACTURER: Swivellink		REV	A
SCALE: 1:1		ALL DIMENSIONS ARE IN MILLIMETERS	