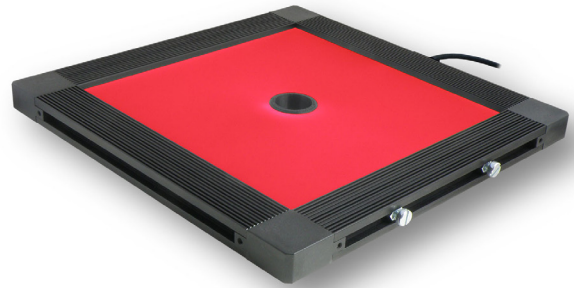




Expandable

### Product Highlights

- Uniform illumination
- Expandable vertically and horizontally in 1" increments from 3" x 3" to 24" x 24"
- Available with different hole diameters ranging from 1/4" to 3" in 1/4" increments
- Low heat output
- Compact design for inspecting reflective objects

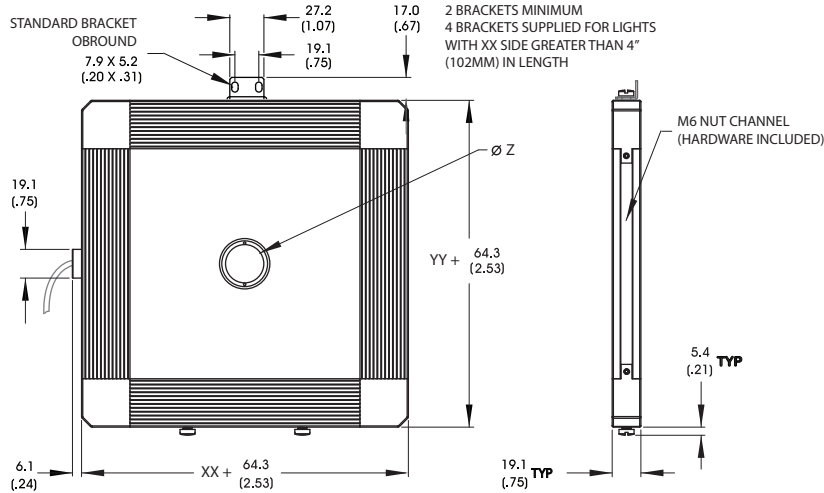


### General Specifications

	Color	24v Current	All Other Controls
Electrical Specifications	625	N/A	0.062 A Max per 1 inches
	455, 530, WHI	N/A	0.103 A Max per 1 inches
	850	N/A	0.05 A Max per 1 inches
Normal Operating Temperature	0 - 60°C		
Weight (g)	4" X 4" unit - 553.4g (19.52oz)		
Standard Cable Information	Up to 2 meters (80") long - 105°C rated PVC jacket, foil shield with drain.		
Photobiological Risk Factor IEC 62471	<b>Exempt Applicable Wavelengths:</b> 850 <b>Group 1 (Low-Risk) Applicable Wavelengths:</b> 455, 530, 625, WHI		
Compliance	  		
IP Rating	IP50		
Lumen Maintenance	L70 = 50,000 hours		

# FX 2D Expandable Series

## Mechanical Specifications



YY = WIDTH IN 1" INCREMENTS FROM 3" to 24"  
 XX = HEIGHT IN 1" INCREMENTS FROM 3" to 24"  
 Z = HOLE DIAMETER IN 1/4" INCREMENTS FROM 1/4" to 3"

DIMENSIONS ARE IN MILLIMETERS (INCHES)

## Part Number Key

Model	Height	Width (Cable Side)	Hole Diameter	—	Spectral Wavelength	Connector/ Control	—	Alternative Connector
<b>FX</b>	<b>XX</b>	<b>YY</b>	<b>Z</b>	<b>—</b>	<b>XXX</b>	<b>XX</b>	<b>—</b>	<b>XXX</b>
FX	in 1" increments from 3" to 24"	in 1" increments from 3" to 24"	in 1/4" increments from 1/4" to 3" (refer to chart)		(royal blue) 455 (green) 530 (red) 625 (infra-red) 850 (white) WHI	C1 C5 IC I3 I3S		M12 <sup>1</sup>
Ex: FX0312-455C1 FX0608B-625IC FX1208F-WHII3-M12						<sup>1</sup> Available with IC, I3 and I3S		

Hole Diameter Chart

Hole Size	P/N
1/4"	FXXXXYYA
1/2"	FXXXXYYB
3/4"	FXXXXYYC
1"	FXXXXYY
1 1/4"	FXXXXYYE
1 1/2"	FXXXXYYF
1 3/4"	FXXXXYYG
2"	FXXXXYYH
2 1/4"	FXXXXYYI
2 1/2"	FXXXXYYJ
2 3/4"	FXXXXYYK
3"	FXXXXYYL

For standard 1" diameter, omit letter "D" from part number.

**Stock Product:** *shipped within 3 days*    **Build to Order:** *shipped within two weeks*  
 FX0808-625IC

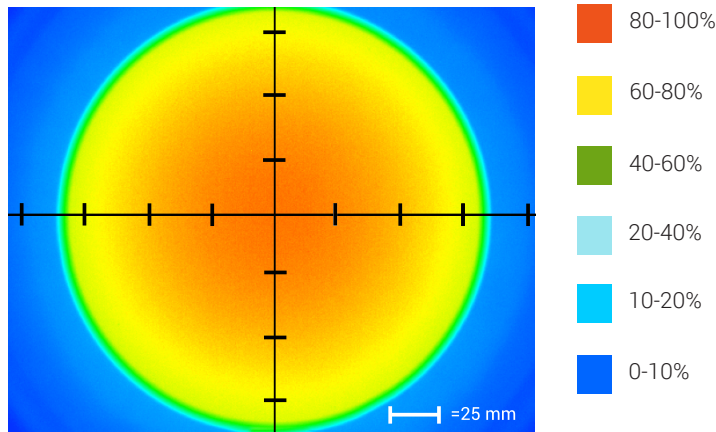
## Connector | Control Options

C1 Connector	C5 Connector	ICS 2 (IC)	ICS 3 (I3)	ICS 3S (I3S)
For use with: <b>DCS Series Controllers</b>	For use with: <b>Pulsar 320 Strobe Controller.</b>	Continous in-line controller  Powered with: <b>24V power supply</b>	Combination strobe/continous in-line controller  Powered with: <b>24V power supply</b>	Default-OFF strobe/continous in-line controller  Powered with: <b>24V power supply</b>

# FX 2D Expandable Series

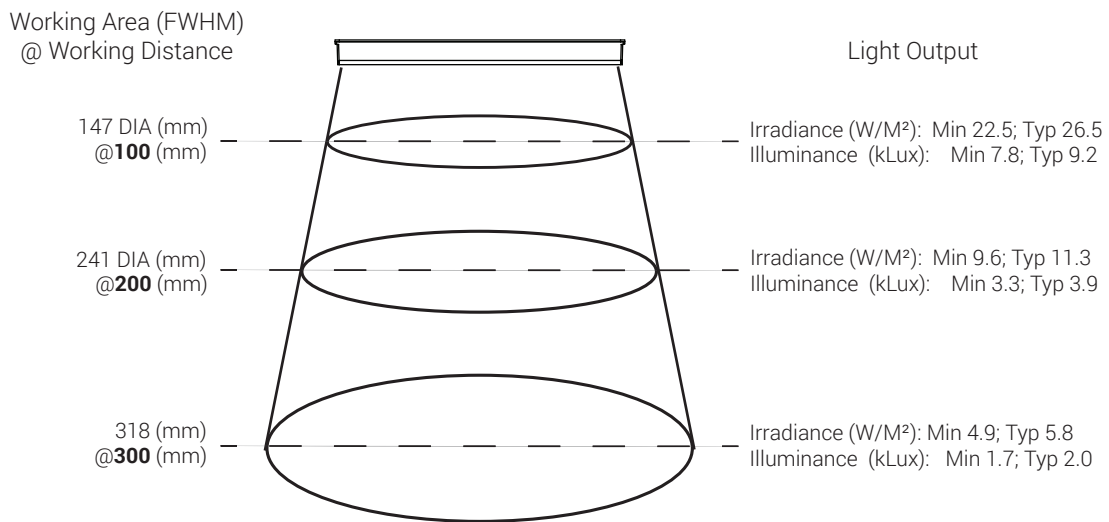
## Optical Performance

### Intensity Distribution



Optical measurement taken using FX0808-WHII3 @ 200mm

### Area of Illuminance & Intensity



## Operation and Wiring

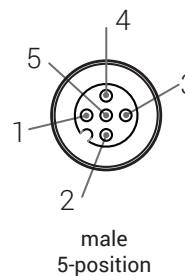
### ICS 2 (IC)

Pin (M12)	Function	Wire Color
1	+24 VDC	Brown
2	0-10 VDC Analog Control	White
3	GND	Blue
4	GLO	Black
5	N/A	Gray

### ICS 3 (I3 and I3S)

Pin (M12)	Function	Wire Color
1	+24 VDC	Brown
2	Reserved	White
3	GND	Blue
4	PNP/Active High Trigger	Black
5	0-10 VDC Analog Control	Gray

### Optional M12 Pinout



# FX 2D Expandable Series

## Warranty Information

Every Advanced illumination, Inc. (Ai) product is thoroughly inspected and tested before leaving the factory. Products are warranted to be free of defects in workmanship and materials for a period of two years from the original date of purchase. Should a defect develop during this period, please contact Ai Customer Service or your Ai distributor for a Return Merchandise Authorization (RMA), and return the complete product, freight prepaid, to Ai. If a defect is found, Ai will - at our discretion - repair or replace the product without charge. Ai claims no liability for any implied warranties, including "merchantability" and "fitness for a specific purpose."

## Electromagnetic Compatibility

This product was tested and complies with the regulatory requirements and limits for electromagnetic compatibility (EMC) as stated in the product specifications. These requirements and limits are designed to provide reasonable protection against harmful interference only when the product is operated in its intended industrial electromagnetic environment. To minimize the potential for electromagnetic interference or unacceptable performance degradation, install and use this product in strict accordance with the instructions in the product documentation.

## Customer Service

For information on existing orders, or to make an order adjustment, contact us Monday through Friday 8:00 am to 5:00 pm, EST or send an email to [orders@advill.com](mailto:orders@advill.com).

## Company Information

### **Advanced Illumination**

440 State Garage Road, Rochester VT. 05767

Phone: 802.767.3830

Fax: 802.767.3831

Email: [info@advancedillumination.com](mailto:info@advancedillumination.com)

Web: [advancedillumination.com](http://advancedillumination.com)

© 2015 Advanced Illumination Inc. All rights reserved