

A

B

C

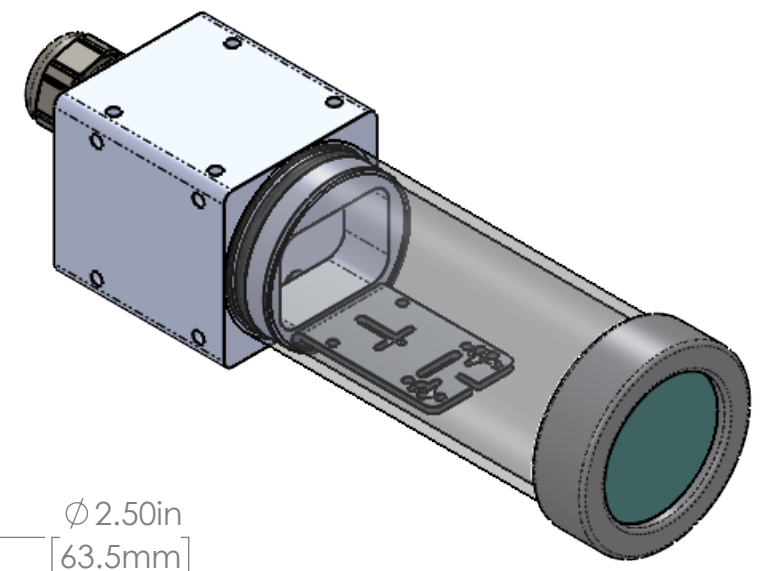
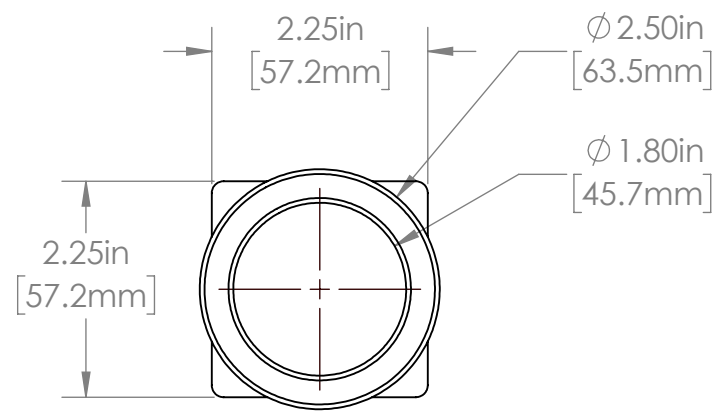
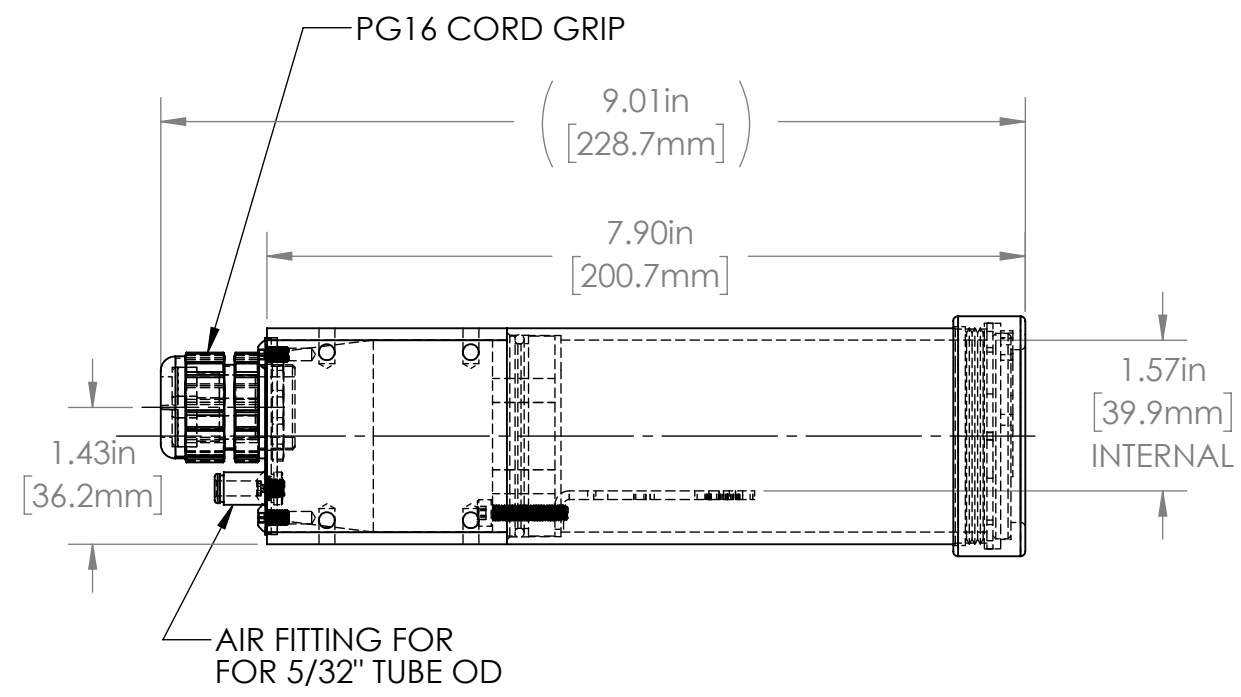
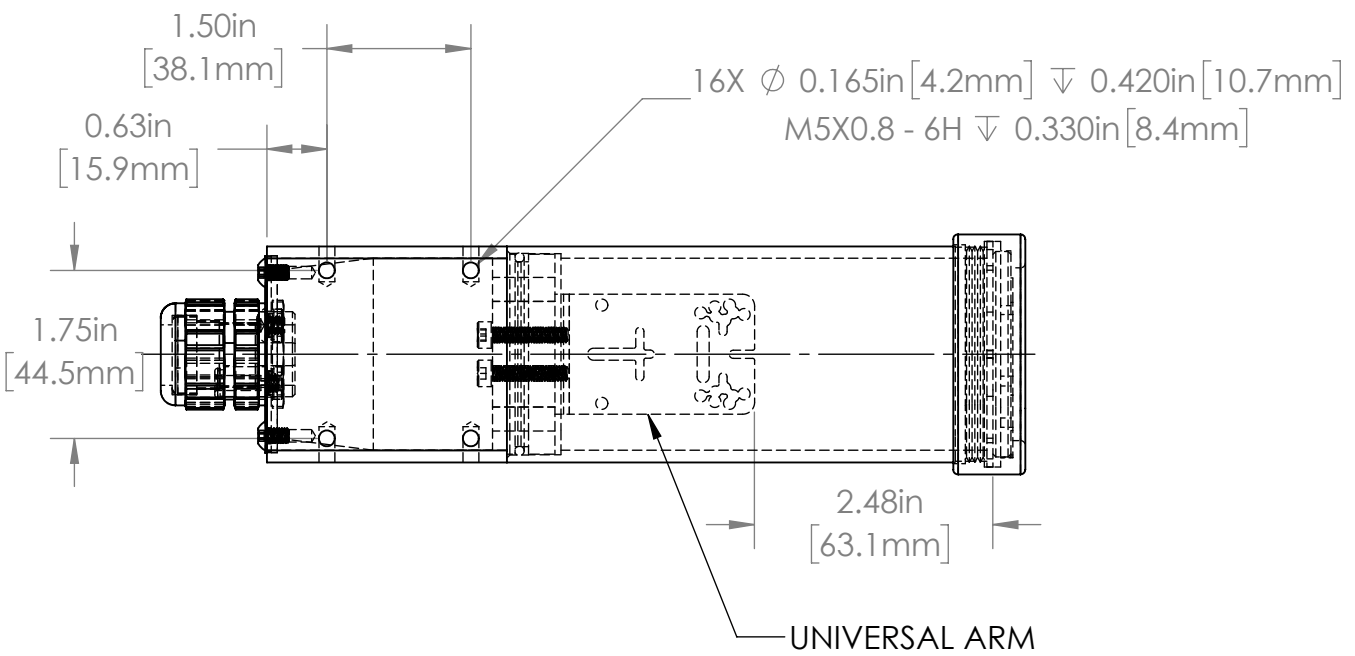
D

A

B

C

D



REVISIONS

ZONE	REV.	DESCRIPTION	DATE	APPROVED
	A	REDRAWN RELEASED FOR PRODUCTION	8/27/2021	DMM

22C SERIES PROPERTIES TABLE

ENVIRONMENT RATING	IP52*	
	COMPONENT	MATERIAL
	BODY/BASE/BARREL	6061 ALUMINUM
	VIEWPORT	SODA LIME GLASS
	GASKET	VITON/EPDM FOAM
	ARM/ADAPTOR	304 SS
	HARDWARE	18-8 SS

(*RATING MAY CHANGE IF INSTALLER MILLS CABLE GLAND OUTSIDE OF TOLERANCE)

CLEAR HARDCOAT ANODIZED

NONE

NONE

NONE

NONE

TOLERANCES UNLESS OTHERWISE SPECIFIED

MACHINING	SHEET METAL
X.X 0.0250"	HOLE TO HOLE (SAME SURFACE) X.X 0.030"
X.XX 0.0100"	X.XX 0.010"
X.XXX 0.0050"	X.XXX 0.005"
X.XXXX 0.0005"	X.XXX 0.015"
ANGULAR 0.5°	HOLE TO FOLDED EDGE X.X 0.035"
DEBURR ALL	X.XX 0.025"
	X.XXX 0.015"
	FOLD TO FOLD X.X 0.045"
	X.XX 0.035"
	X.XXX 0.020"
	ANGULAR 1.0°

THIS PRINT IS THE PROPERTY OF APG VISION LLC. THE INFORMATION CONTAINED HEREIN IS CONFIDENTIAL. IT IS NOT TRANSFERABLE. IT IS FURNISHED WITH THE CLEAR UNDERSTANDING THAT IT IS NOT TO BE TRACED, REPRODUCED OR USED IN ANY PROCESS OF MANUFACTURING WITHOUT WRITTEN PERMISSION FROM THE OWNER AND IS RETURNABLE UPON DEMAND. ANY INFRINGEMENT UPON THE PATENT RIGHTS SHOWN HEREIN, WHETHER IN PART OR WHOLE, WILL BE PROSECUTED.

AS PART OF OUR POLICY OF CONTINUING DEVELOPMENT, APG VISION LLC RESERVES THE RIGHT TO ALTER SPECIFICATIONS WITHOUT PRIOR NOTICE.

APG Vision LLC
4055 Alpha Drive
Allison Park, PA 15101 USA
Phone +1 (412) 487-8211
apgvision.com



DESCRIPTION:
**22C 5IN BARREL, GLASS VIEWPORT,
UNIVERSAL ARM**
MATERIAL:
SEE BOM

DRAWN BY: RS	DATE: 8/27/2021	SCALE: 1:2	SHT-SIZE: B	APPROX. WEIGHT (LBS): 1.31
CHECKED BY: DMM	DATE: 8/27/2021	PART NUMBER: 22C-AK	REVISION: A	