

STANDARD APPROVALS: UL/cUL CLASS I, DIVISION 1, GROUP B; NEMA TYPES 4X/7/9

ATEX CERTIFIED

REVISIONS				
ZONE	REV.	DESCRIPTION	DATE	APPROVED
	A	RELEASED FOR PRODUCTION	7/25/2022	DMM
	B	ADDED 3/4" NPT FITTING TO REAR	8/23/2022	DMM

A

B

C

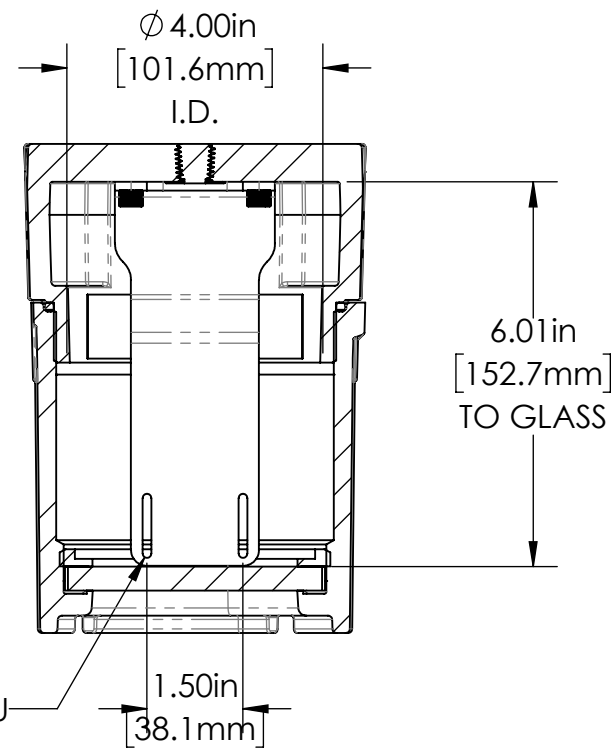
D

A

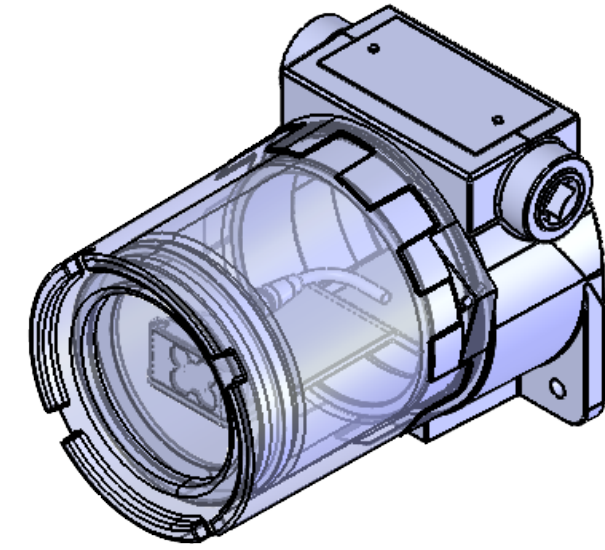
B

C

D



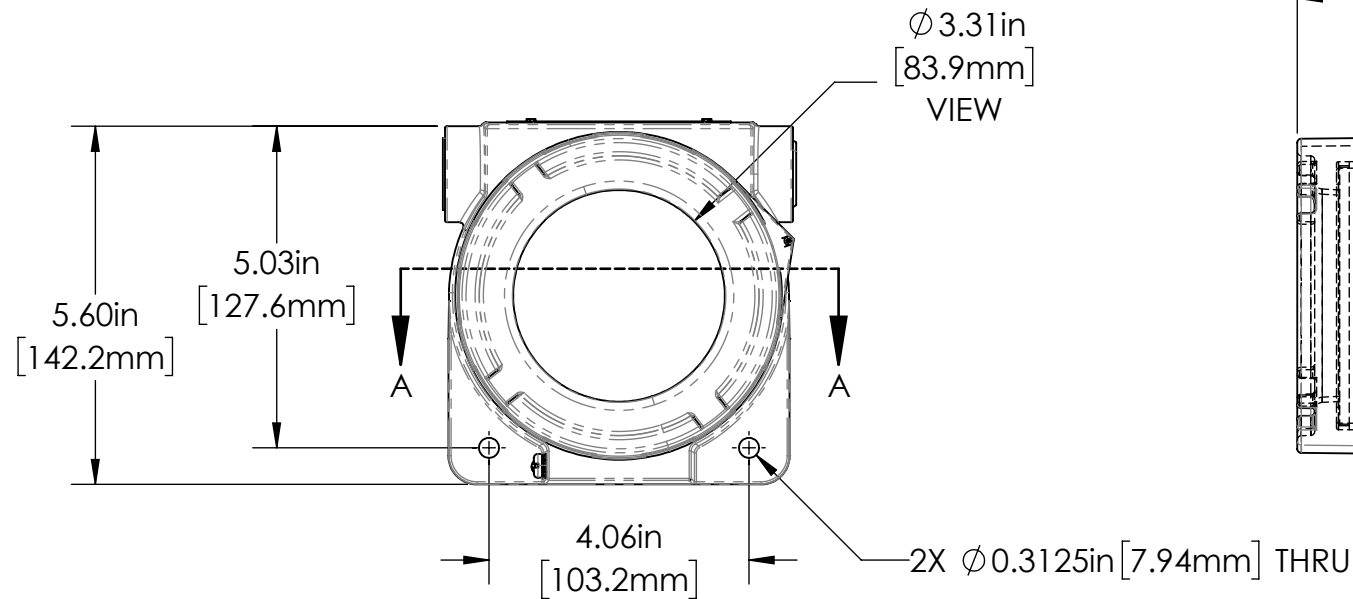
SECTION A-A



2X 0.134in [3.40mm] X 1.000in [25.40mm] THRU

1.50in [38.1mm]

6.01in [152.7mm] TO GLASS

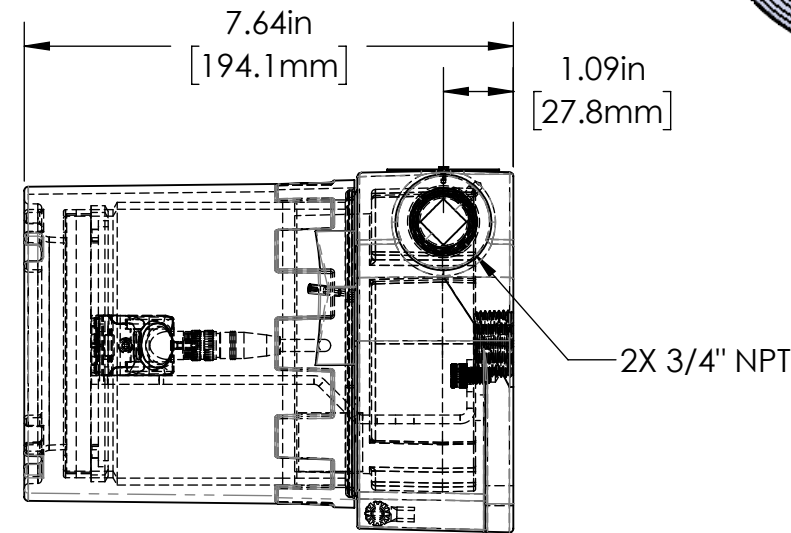


Ø 3.31in [83.9mm] VIEW

5.60in [142.2mm]  
5.03in [127.6mm]

4.06in [103.2mm]

2X Ø 0.3125in [7.94mm] THRU



1.09in [27.8mm]

2X 3/4" NPT

**PROPERTIES TABLE**

ENVIRONMENT RATING	IP68*	
	(*RATING MAY CHANGE IF INSTALLER MILLS CABLE GLAND OUTSIDE OF TOLERANCE)	
COMPONENT	MATERIAL	FINISH
BODY	CAST ALUMINUM	POWDER COAT
VIEWPORT	TEMPERED SODA LIME FLOAT GLASS	NONE
GASKET	BUNA-N	NONE
ARM/ADAPTOR	304 SS	NONE
HARDWARE	18-8 SS	AS SUPPLIED

TOLERANCES UNLESS OTHERWISE SPECIFIED

MACHINING		SHEET METAL	
X.X	0.0250"	HOLE TO HOLE (SAME SURFACE)	
X.XX	0.0100"	X.X	0.030"
X.XXX	0.0050"	X.XX	0.010"
X.XXXX	0.0005"	X.XXX	0.005"
ANGULAR	0.5°	HOLE TO FOLDED EDGE	
DEBURR ALL		X.X	0.035"
		X.XX	0.025"
		X.XXX	0.015"
		FOLD TO FOLD	
		X.X	0.045"
		X.XX	0.035"
		X.XXX	0.020"
		ANGULAR 1.0°	

THIS PRINT IS THE PROPERTY OF APG VISION LLC. THE INFORMATION CONTAINED HEREIN IS CONFIDENTIAL. IT IS NOT TRANSFERABLE. IT IS FURNISHED WITH THE CLEAR UNDERSTANDING THAT IT IS NOT TO BE TRACED, REPRODUCED OR USED IN ANY PROCESS OF MANUFACTURING WITHOUT WRITTEN PERMISSION FROM THE OWNER AND IS RETURNABLE UPON DEMAND. ANY INFRINGEMENT UPON THE PATENT RIGHTS SHOWN HEREIN, WHETHER IN PART OR WHOLE, WILL BE PROSECUTED.

AS PART OF OUR POLICY OF CONTINUING DEVELOPMENT, APG VISION LLC RESERVES THE RIGHT TO ALTER SPECIFICATIONS WITHOUT PRIOR NOTICE.

APG Vision LLC 4055 Alpha Drive Allison Park, PA 15101 USA Phone +1 (412) 487-8211 apgvision.com				
DESCRIPTION: <b>EXPLOSION PROOF ENCLOSURE FOR KEYENCE IV3-G500CA</b>				
MATERIAL: SEE PROPERTIES TABLE				
FINISH: SEE PROPERTIES TABLE				
DRAWN BY:	DATE:	SCALE:	SHT-SIZE:	APPROX. WEIGHT (LBS)
TWD	7/25/2022	1:3	B	7.0653
CHECKED BY:	DATE:	PART NUMBER:		REVISION
DMM	7/25/2022	C2-BR		B
Sheet 1 of 1				

1

2

3

4

5

6