

1 2 3 4 5 6

A

A

B

B

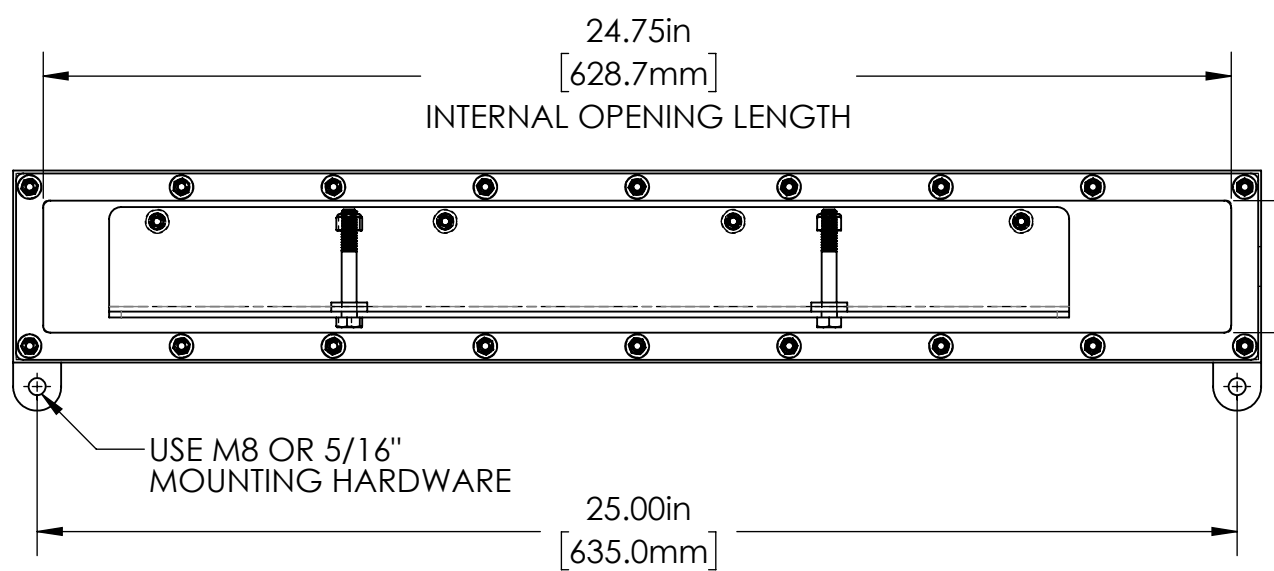
C

C

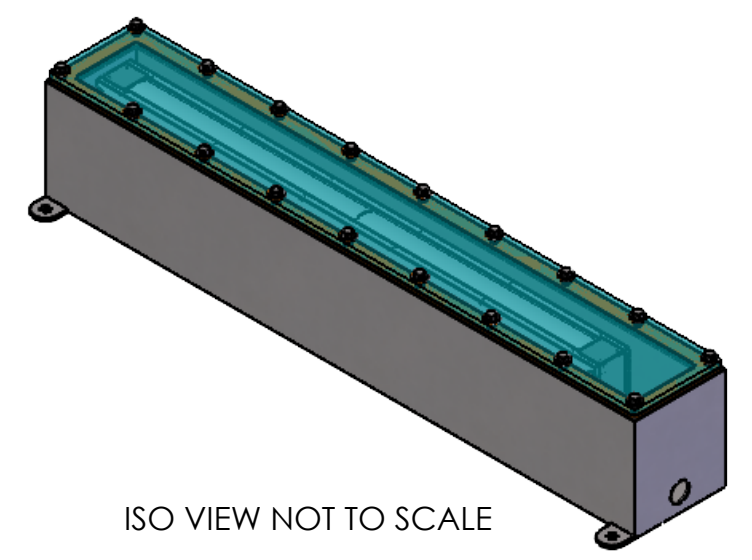
D

D

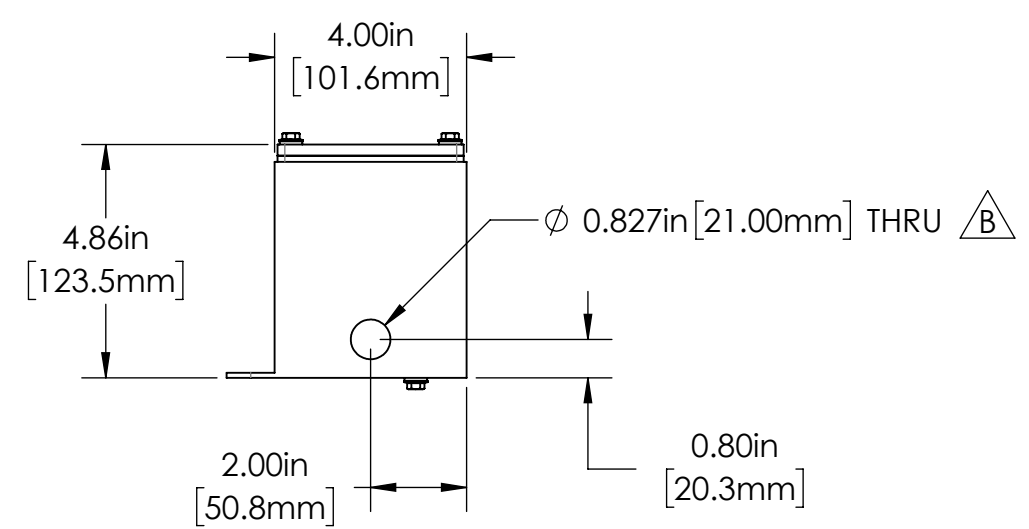
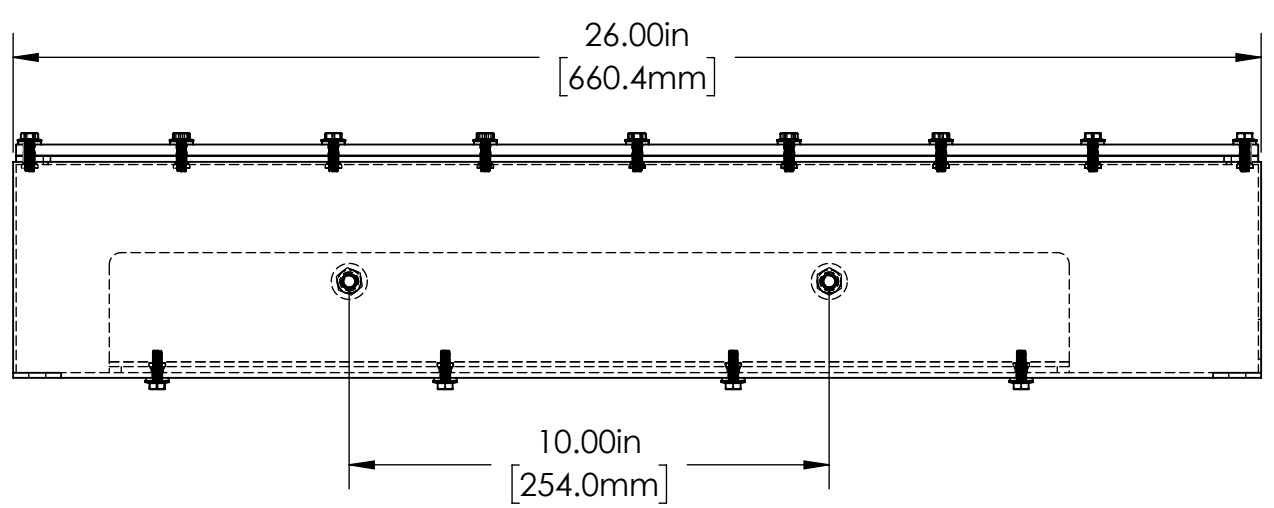
REVISIONS				
ZONE	REV.	DESCRIPTION	DATE	APPROVED
	A	RELEASED FOR PRODUCTION	11/23/2022	DMM
C6	B	ADDED HOLE IN BODY FOR CUSTOMER CORD GRIP	12/20/2022	DMM



2.75in  
[69.9mm]  
INTERNAL OPENING  
WIDTH



ISO VIEW NOT TO SCALE



**PROPERTIES TABLE**

<b>ENVIRONMENT RATING</b>	IP68*	
	(*RATING MAY CHANGE IF INSTALLER MILLS CABLE GLAND OUTSIDE OF TOLERANCE)	
<b>COMPONENT</b>	<b>MATERIAL</b>	<b>FINISH</b>
BODY	316 SS	BURNISHED
VIEWPORT	CLEAR FLOWCOAT ACRYLIC	ABR2
GASKET	SILICONE	NONE
ARM/ADAPTER	5052 ALUMINUM	N/A
HARDWARE	316 SS - EXTERNAL, 18-8 SS - INTERNAL AS SUPPLIED	

MACHINING		SHEET METAL	
X.X	0.0250"	HOLE TO HOLE (SAME SURFACE)	
X.XX	0.0100"	X.X	0.030"
X.XXX	0.0050"	X.XX	0.010"
X.XXXX	0.0005"	X.XXX	0.005"
ANGULAR	0.5°	X.XXX	0.015"
DEBURR ALL		HOLE TO FOLDED EDGE	
		X.X	0.035"
		X.XX	0.025"
		X.XXX	0.015"
		FOLD TO FOLD	
		X.X	0.045"
		X.XX	0.035"
		X.XXX	0.020"
		ANGULAR 1.0°	

APG Vision LLC  
4055 Alpha Drive  
Allison Park, PA 15101 USA  
Phone +1 (412) 487-8211  
apgvision.com

**apgvision**

DESCRIPTION:  
**LL ENCLOSURE FOR METAPHASE UX-CLL509-1**

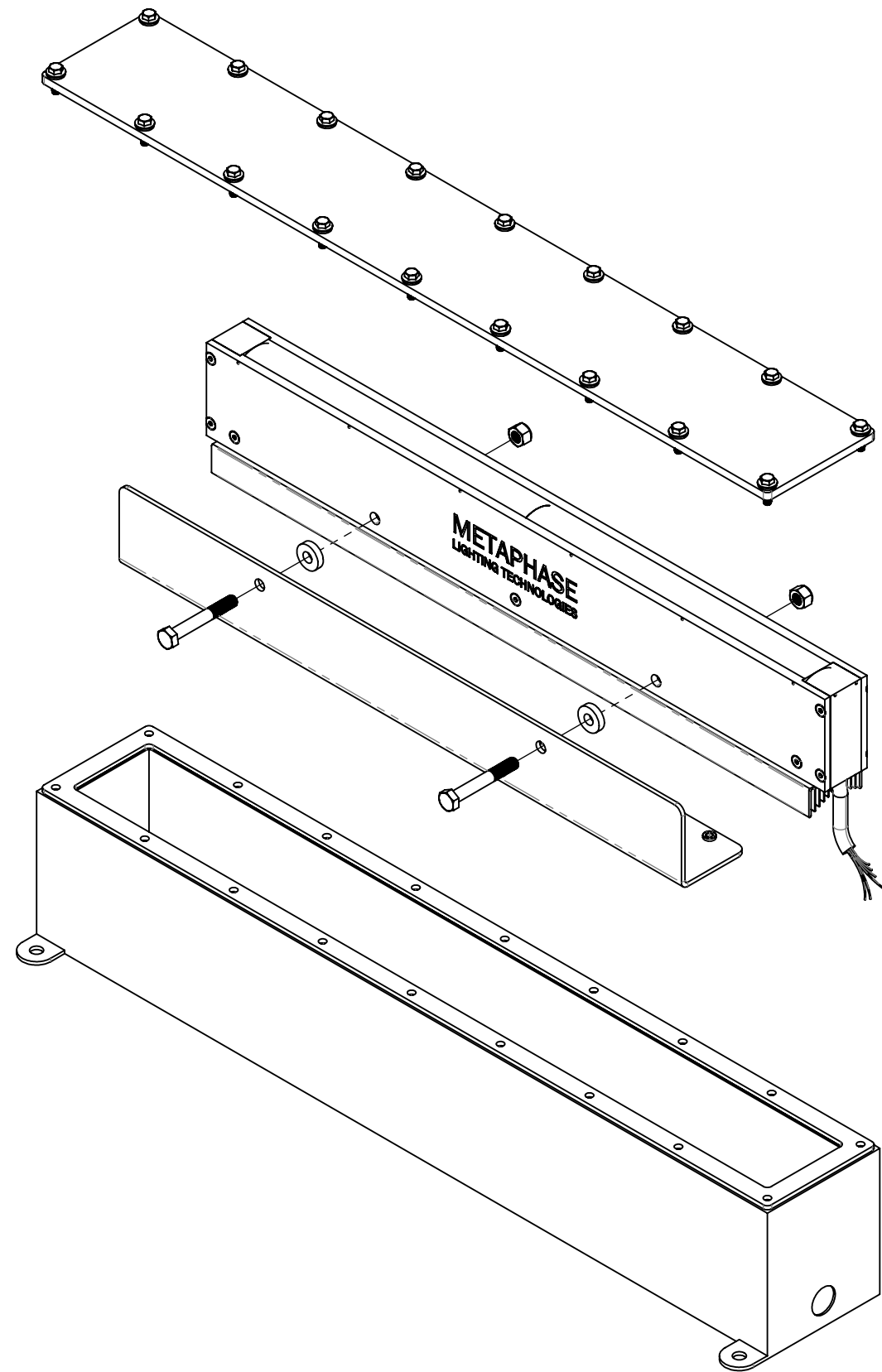
MATERIAL: **SEE PROPERTIES TABLE**

FINISH: **SEE PROPERTIES TABLE**

DRAWN BY: TWD	DATE: 11/10/2022	SCALE: 1:4	SHT-SIZE: B	APPROX. WEIGHT (LBS): 13.1147
CHECKED BY: DMM	DATE: 11/23/2022	PART NUMBER: <b>LL-FD</b>		REVISION: <b>B</b>

Sheet 1 of 2

1 2 3 4 5 6



LIGHT INSTALLATION  
MOUNTING HARDWARE INCLUDED

TOLERANCES UNLESS OTHERWISE SPECIFIED

MACHINING		SHEET METAL	
X.X	0.0250"	HOLE TO HOLE (SAME SURFACE)	
X.XX	0.0100"	X.X	0.030"
X.XXX	0.0050"	X.XX	0.010"
X.XXXX	0.0005"	X.XXX	0.005"
ANGULAR	0.5°	HOLE TO FOLDED EDGE	
DEBURR ALL		X.X	0.035"
		X.XX	0.025"
		X.XXX	0.015"
		FOLD TO FOLD	
		X.X	0.045"
		X.XX	0.035"
		X.XXX	0.020"
		ANGULAR 1.0°	

THIS PRINT IS THE PROPERTY OF APG VISION LLC. THE INFORMATION CONTAINED HEREIN IS CONFIDENTIAL. IT IS NOT TRANSFERABLE. IT IS FURNISHED WITH THE CLEAR UNDERSTANDING THAT IT IS NOT TO BE TRACED, REPRODUCED OR USED IN ANY PROCESS OF MANUFACTURING WITHOUT WRITTEN PERMISSION FROM THE OWNER AND IS RETURNABLE UPON DEMAND. ANY INFRINGEMENT UPON THE PATENT RIGHTS SHOWN HEREIN, WHETHER IN PART OR WHOLE, WILL BE PROSECUTED.

AS PART OF OUR POLICY OF CONTINUING DEVELOPMENT, APG VISION LLC RESERVES THE RIGHT TO ALTER SPECIFICATIONS WITHOUT PRIOR NOTICE.

APG Vision LLC 4055 Alpha Drive Allison Park, PA 15101 USA Phone +1 (412) 487-8211 apgvision.com				
DESCRIPTION: <b>LL ENCLOSURE FOR METAPHASE UX-CLL509-1</b>				
MATERIAL: SEE PROPERTIES TABLE				
FINISH: SEE PROPERTIES TABLE				
DRAWN BY: TWD	DATE: 11/10/2022	SCALE: 1:4	SHT-SIZE: B	APPROX. WEIGHT (LBS): 13.1147
CHECKED BY: DMM	DATE: 11/23/2022	PART NUMBER: <b>LL-FD</b>		REVISION: <b>B</b>
Sheet2 of 2				