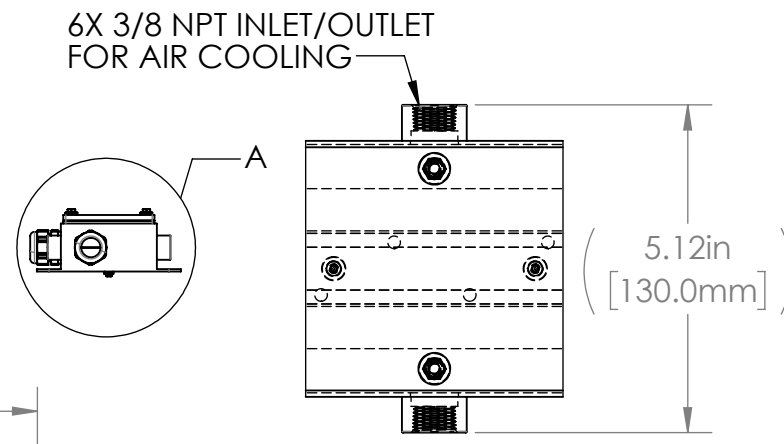
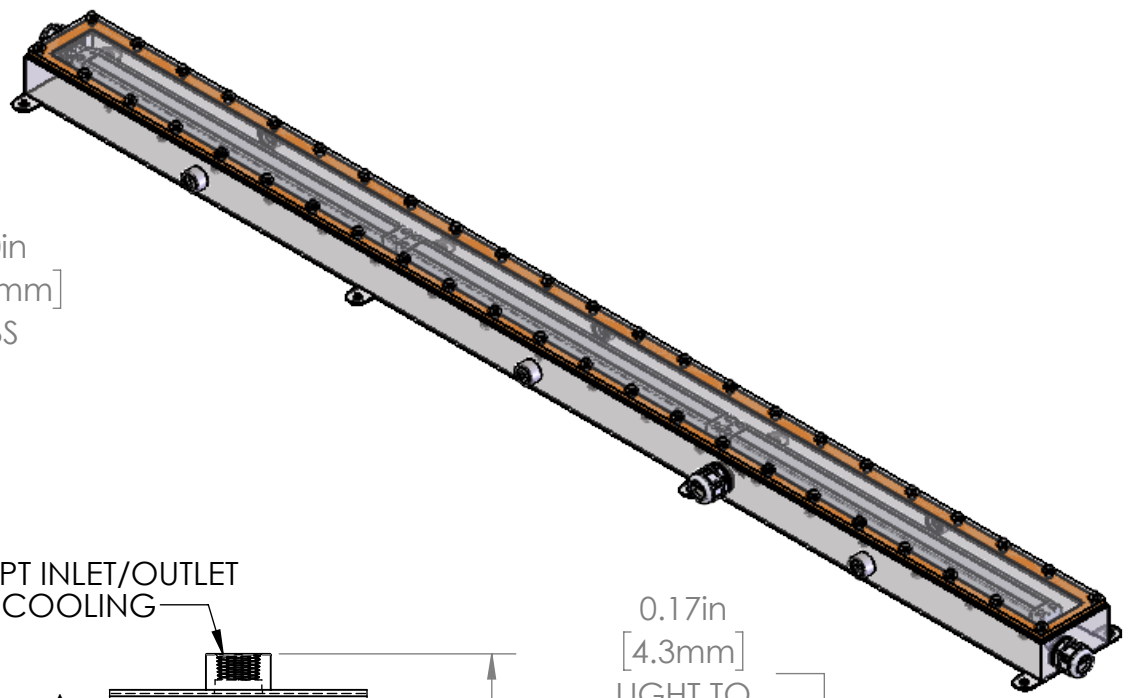
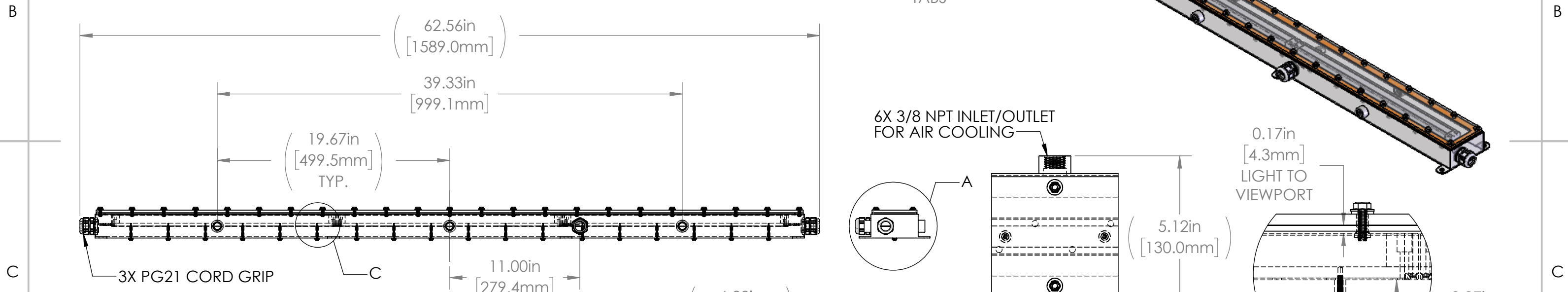
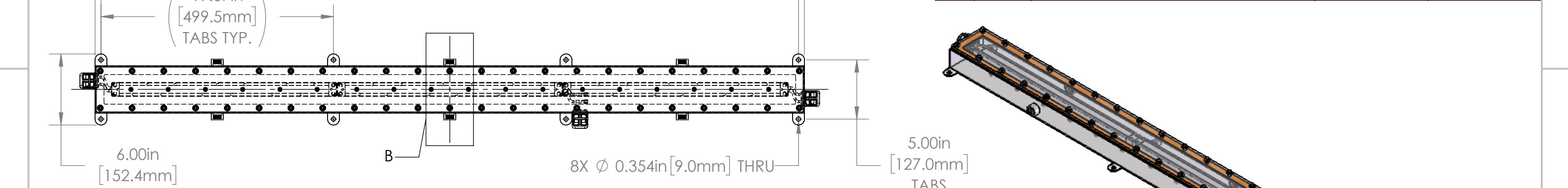
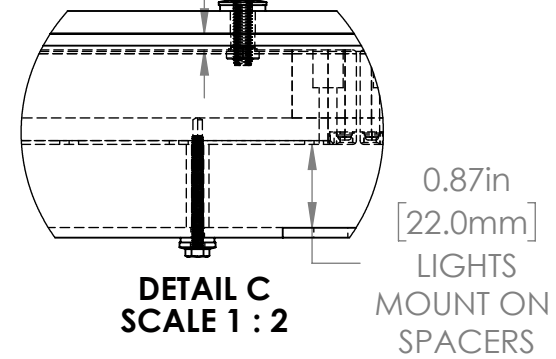


1 2 3 4 5 6

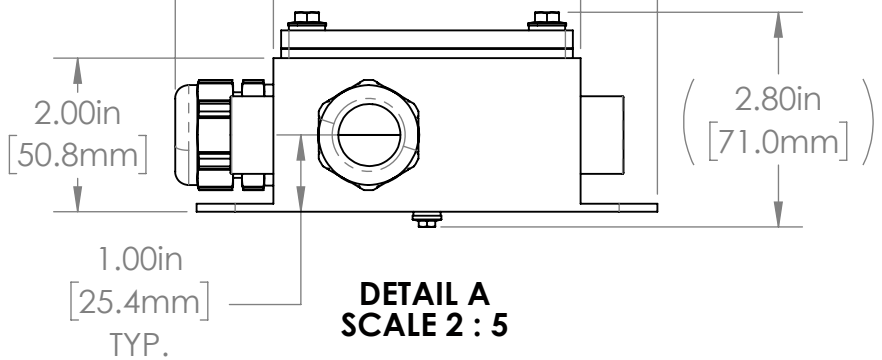
REVISIONS				
ZONE	REV.	DESCRIPTION	DATE	APPROVED
	A	RELEASED FOR CUSTOMER APPROVAL	2/6/2023	DMM
	B	REVISED FASTENERS TO MOUNT LINE LIGHTS FLUSH	3/16/2023	DMM



DETAIL B
SCALE 1 : 3



DETAIL C
SCALE 1 : 2



DETAIL A
SCALE 2 : 5

PROPERTIES TABLE		
ENVIRONMENT RATING	IP69K*	FDA WASHDOWN
	(*RATING MAY CHANGE IF INSTALLER MILLS CABLE GLAND OUTSIDE OF TOLERANCE)	
COMPONENT	MATERIAL	FINISH
BODY	316 SS	BURNISHED
VIEWPORT	CLEAR POLYCARBONATE	NONE
GASKET	SILICONE	NONE
HARDWARE	316 SS - EXTERNAL, 18-8 SS - INTERNAL	AS SUPPLIED

TOLERANCES UNLESS OTHERWISE SPECIFIED	
MACHINING	SHEET METAL
X.X 0.0250"	HOLE TO HOLE (SAME SURFACE) X.X 0.030"
X.XX 0.0100"	X.XX 0.010"
X.XXX 0.0050"	X.XXX 0.015"
X.XXXX 0.0005"	X.XXX 0.005"
ANGULAR 0.5°	HOLE TO FOLDED EDGE X.X 0.035"
DEBURR ALL	X.XX 0.025"
	X.XXX 0.015"
	FOLD TO FOLD X.X 0.045"
	X.XX 0.035"
	X.XXX 0.020"
	ANGULAR 1.0°

APG Vision LLC
4055 Alpha Drive
Allison Park, PA 15101 USA
Phone +1 (412) 487-8211
apgvision.com

apgvision

DESCRIPTION:
LL SERIES 60IN X 4IN IP69K ENCLOSURE,
POLYCARBONATE VIEWPORT, 3X
KEYENCE CA-DZW45D

MATERIAL: SEE PROPERTIES TABLE

FINISH: SEE PROPERTIES TABLE

DRAWN BY: GAS	DATE: 12/15/2022	SCALE: 1:8	SHT-SIZE: B	APPROX. WEIGHT (LBS) 19.1131
CHECKED BY: DMM	DATE: 2/6/2023	PART NUMBER: LL-FF	REVISION: B	

Sheet 1 of 1

1 2 3 4 5 6