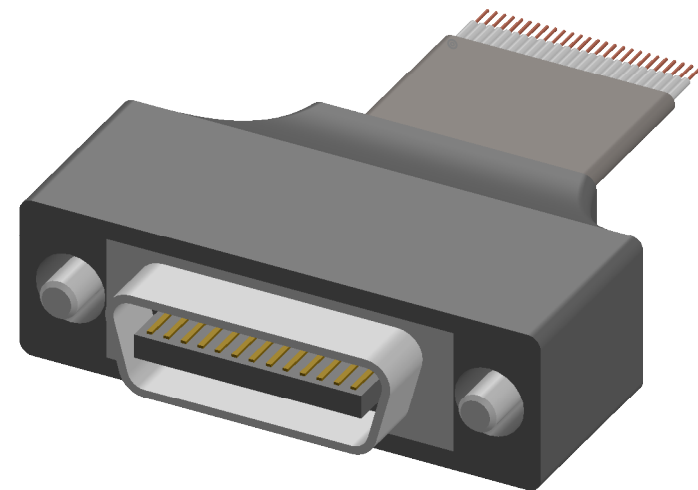
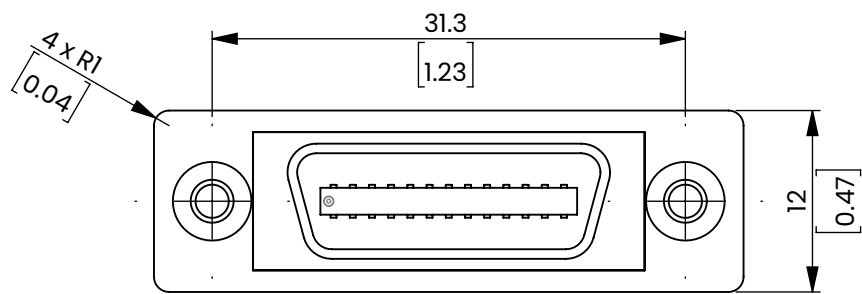
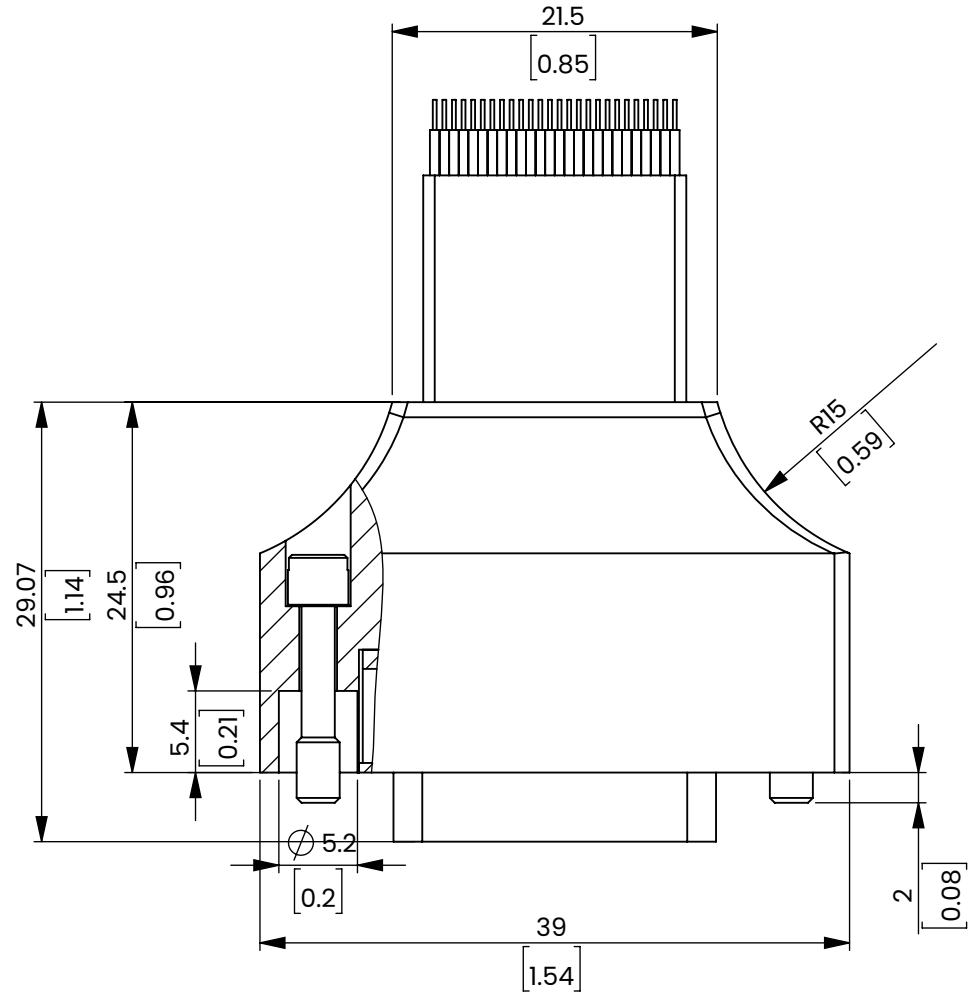
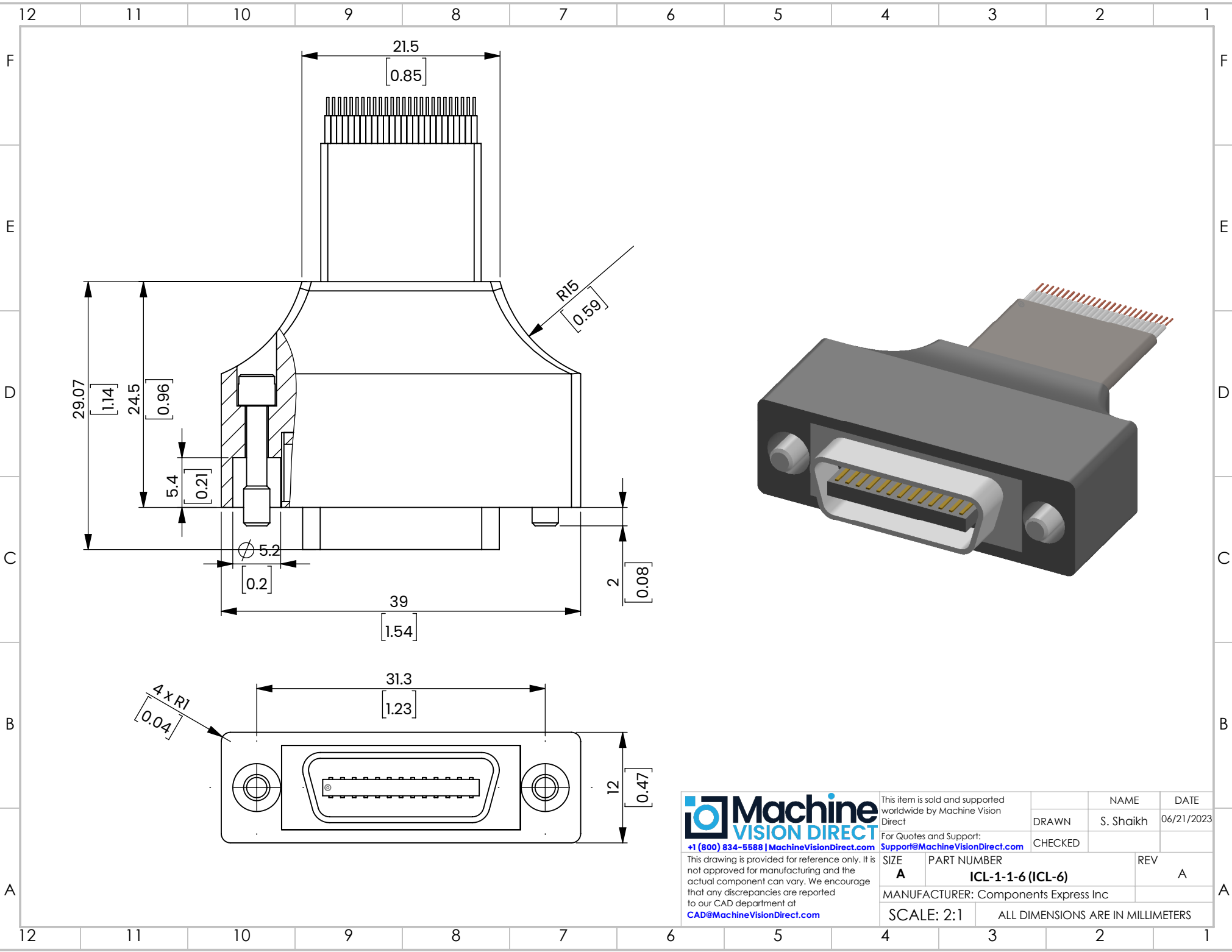


This drawing is provided for reference only. It is not approved for manufacturing and the actual component can vary. We encourage that any discrepancies are reported to our CAD department at [CAD@MachineVisionDirect.com](mailto:CAD@MachineVisionDirect.com)

This item is sold and supported worldwide by Machine Vision Direct		NAME	DATE
SIZE	PART NUMBER	DRAWN	S. Shaikh
A	ICL-1-1-6 (ICL-1)	CHECKED	06212023
MANUFACTURER: Components Express Inc		REV	A
SCALE: 2:1		ALL DIMENSIONS ARE IN MILLIMETERS	



**Machine VISION DIRECT**  
 For Quotes and Support: [Support@MachineVisionDirect.com](mailto:Support@MachineVisionDirect.com)  
 +1 (800) 834-5588 | [MachineVisionDirect.com](http://MachineVisionDirect.com)  
 This drawing is provided for reference only. It is not approved for manufacturing and the actual component can vary. We encourage that any discrepancies are reported to our CAD department at [CAD@MachineVisionDirect.com](mailto:CAD@MachineVisionDirect.com)

This item is sold and supported worldwide by Machine Vision Direct		NAME	DATE
SIZE	PART NUMBER	DRAWN	S. Shaikh
A	ICL-1-1-6 (ICL-6)	CHECKED	06/21/2023
MANUFACTURER: Components Express Inc		REV	A
SCALE: 2:1		ALL DIMENSIONS ARE IN MILLIMETERS	