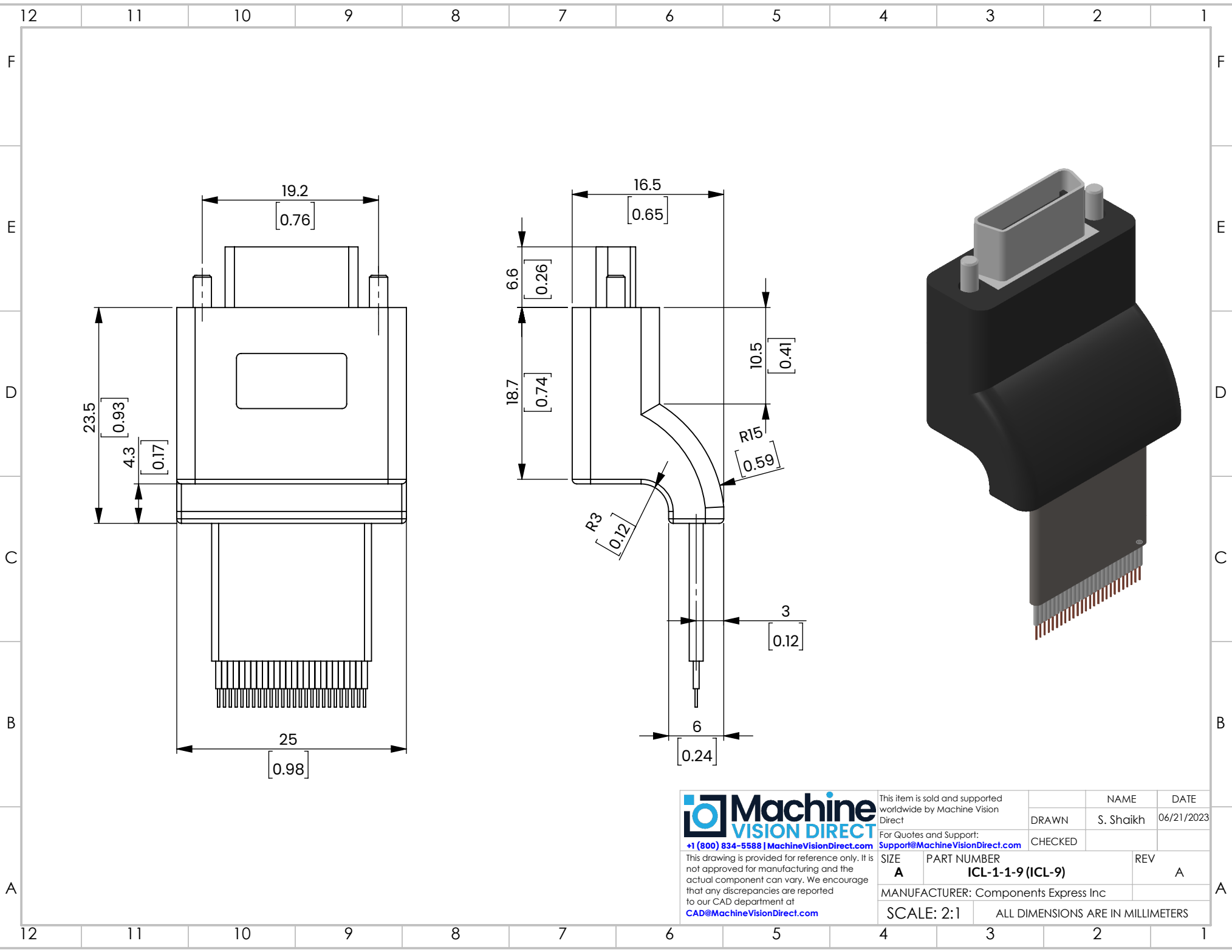


This drawing is provided for reference only. It is not approved for manufacturing and the actual component can vary. We encourage that any discrepancies are reported to our CAD department at CAD@MachineVisionDirect.com

This item is sold and supported worldwide by Machine Vision Direct		NAME	DATE
SIZE	PART NUMBER	DRAWN	S. Shaikh
A	ICL-1-1-9 (ICL-1)	CHECKED	06212023
MANUFACTURER: Components Express Inc		REV	A
SCALE: 2:1		ALL DIMENSIONS ARE IN MILLIMETERS	



Machine VISION DIRECT
 For Quotes and Support: Support@MachineVisionDirect.com
 +1 (800) 834-5588 | MachineVisionDirect.com
 This drawing is provided for reference only. It is not approved for manufacturing and the actual component can vary. We encourage that any discrepancies are reported to our CAD department at CAD@MachineVisionDirect.com

This item is sold and supported worldwide by Machine Vision Direct		NAME	DATE
DRAWN	S. Shaikh	06/21/2023	
CHECKED			
SIZE	PART NUMBER	REV	
A	ICL-1-1-9 (ICL-9)	A	
MANUFACTURER: Components Express Inc			
SCALE: 2:1		ALL DIMENSIONS ARE IN MILLIMETERS	