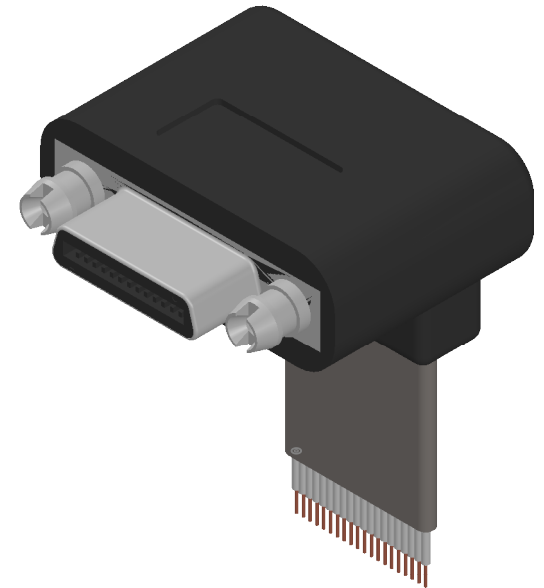
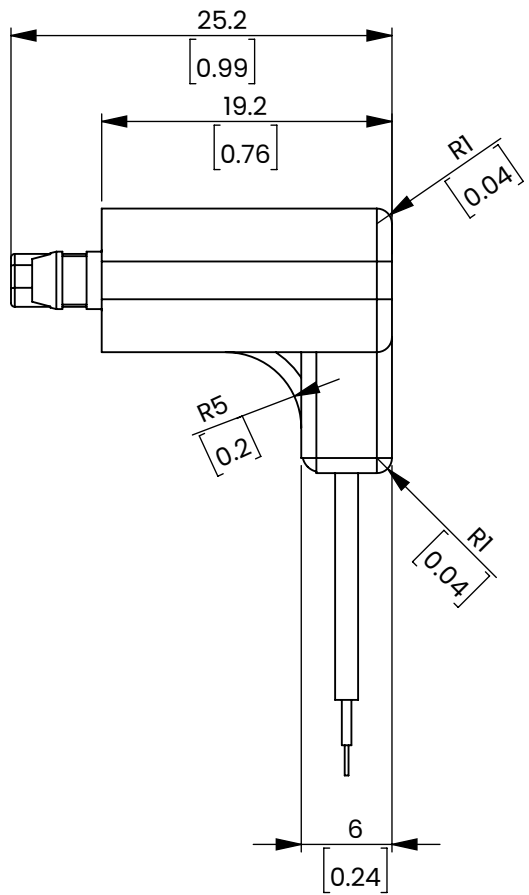
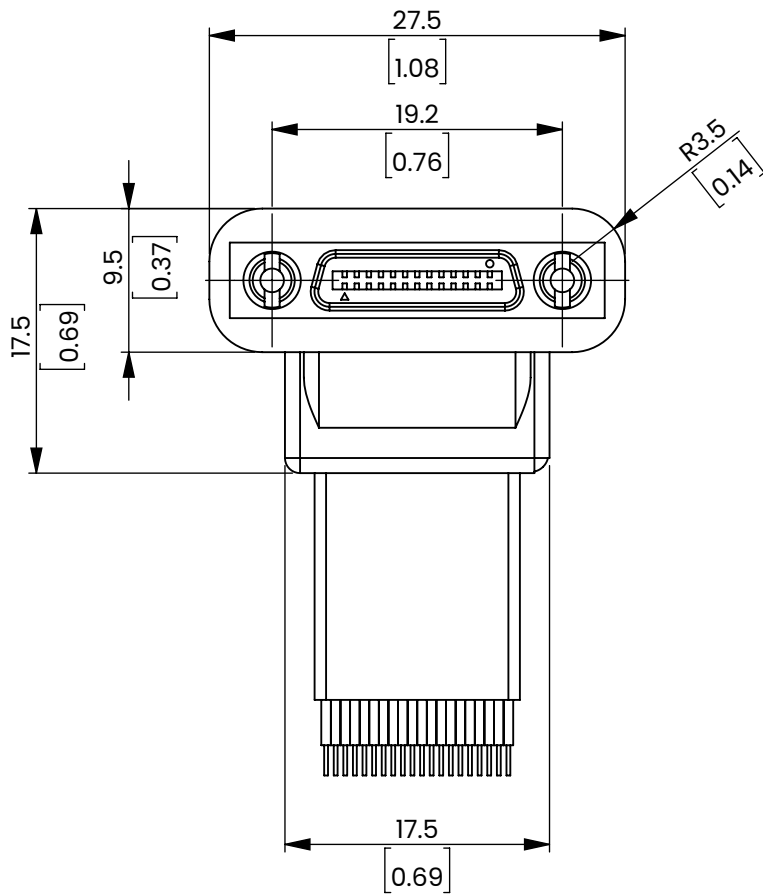


This drawing is provided for reference only. It is not approved for manufacturing and the actual component can vary. We encourage that any discrepancies are reported to our CAD department at [CAD@MachineVisionDirect.com](mailto:CAD@MachineVisionDirect.com)

This item is sold and supported worldwide by Machine Vision Direct		NAME	DATE
SIZE	PART NUMBER	DRAWN	S. Shaikh 06/21/2023
A	ICL-4-1-7 (ICL-4)	CHECKED	
MANUFACTURER: Components Express Inc		REV	A
SCALE: 2:1		ALL DIMENSIONS ARE IN MILLIMETERS	



This drawing is provided for reference only. It is not approved for manufacturing and the actual component can vary. We encourage that any discrepancies are reported to our CAD department at [CAD@MachineVisionDirect.com](mailto:CAD@MachineVisionDirect.com)

This item is sold and supported worldwide by Machine Vision Direct		NAME	DATE
For Quotes and Support: <a href="mailto:Support@MachineVisionDirect.com">Support@MachineVisionDirect.com</a>		DRAWN	S. Shaikh 06/21/2023
SIZE <b>A</b>		CHECKED	REV <b>A</b>
PART NUMBER <b>ICL-4-1-7 (ICL-7)</b>		MANUFACTURER: Components Express Inc	
SCALE: 2:1		ALL DIMENSIONS ARE IN MILLIMETERS	