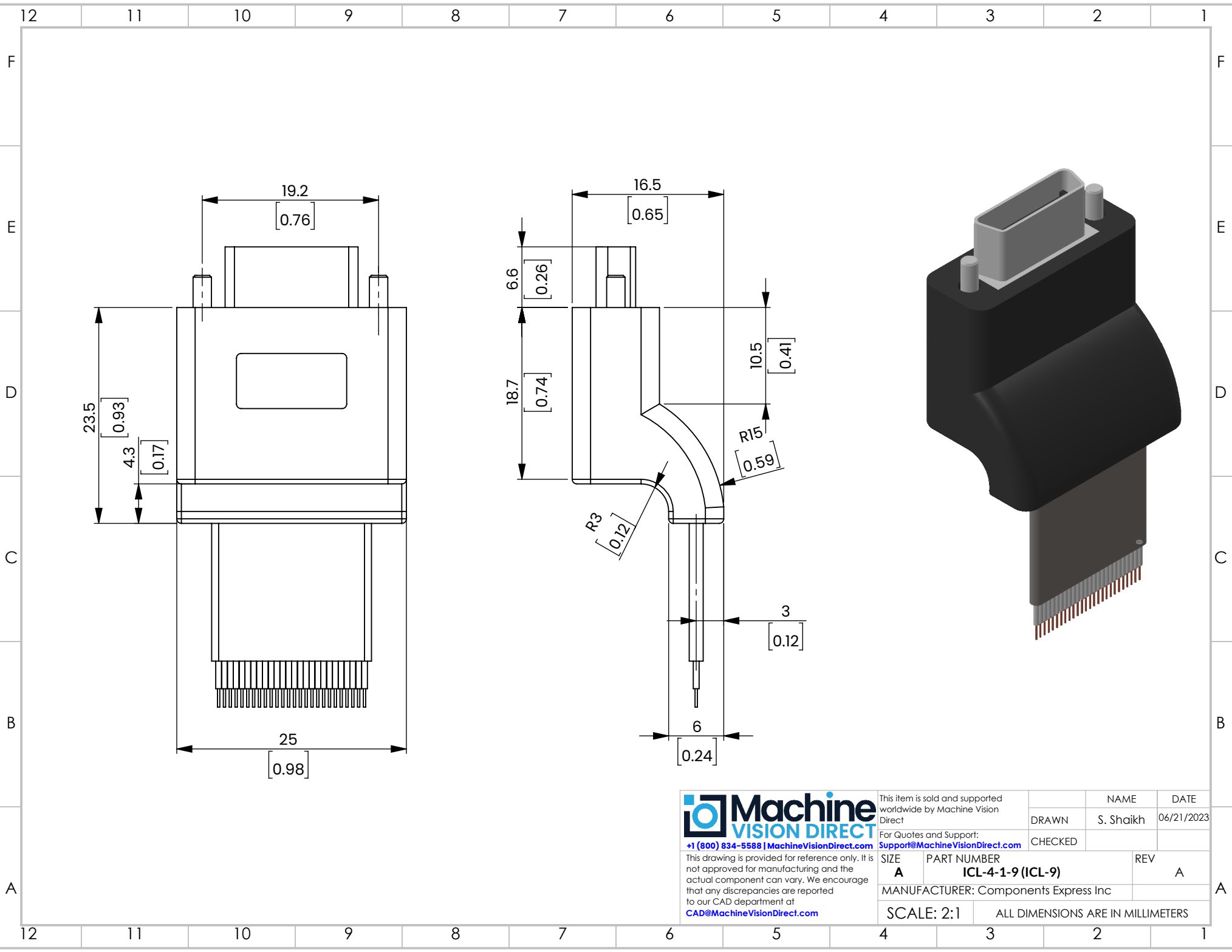


+1 (800) 834-5588 | MachineVisionDirect.com

This drawing is provided for reference only. It is not approved for manufacturing and the actual component can vary. We encourage that any discrepancies are reported to our CAD department at CAD@MachineVisionDirect.com

| | | | |
|--|-------------------|-----------------------------------|------------|
| This item is sold and supported worldwide by Machine Vision Direct | | NAME | DATE |
| SIZE | PART NUMBER | DRAWN | S. Shaikh |
| A | ICL-4-1-9 (ICL-4) | CHECKED | 06/21/2023 |
| MANUFACTURER: Components Express Inc | | REV | A |
| SCALE: 2:1 | | ALL DIMENSIONS ARE IN MILLIMETERS | |



Machine VISION DIRECT
 For Quotes and Support: Support@MachineVisionDirect.com
 +1 (800) 834-5588 | MachineVisionDirect.com
 This drawing is provided for reference only. It is not approved for manufacturing and the actual component can vary. We encourage that any discrepancies are reported to our CAD department at CAD@MachineVisionDirect.com

| | | | |
|--|-------------------|-----------------------------------|------|
| This item is sold and supported worldwide by Machine Vision Direct | | NAME | DATE |
| DRAWN | S. Shaikh | 06/21/2023 | |
| CHECKED | | | |
| SIZE | PART NUMBER | REV | |
| A | ICL-4-1-9 (ICL-9) | A | |
| MANUFACTURER: Components Express Inc | | | |
| SCALE: 2:1 | | ALL DIMENSIONS ARE IN MILLIMETERS | |