

Machine VISION DIRECT
 +1 (800) 834-5588 | MachineVisionDirect.com

This drawing is provided for reference only. It is not approved for manufacturing and the actual component can vary. We encourage that any discrepancies are reported to our CAD department at CAD@MachineVisionDirect.com

This item is sold and supported worldwide by Machine Vision Direct
 For Quotes and Support: Support@MachineVisionDirect.com

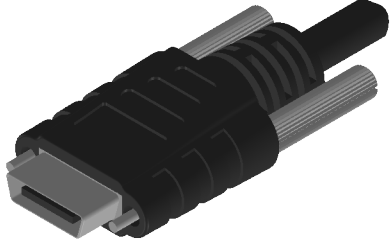
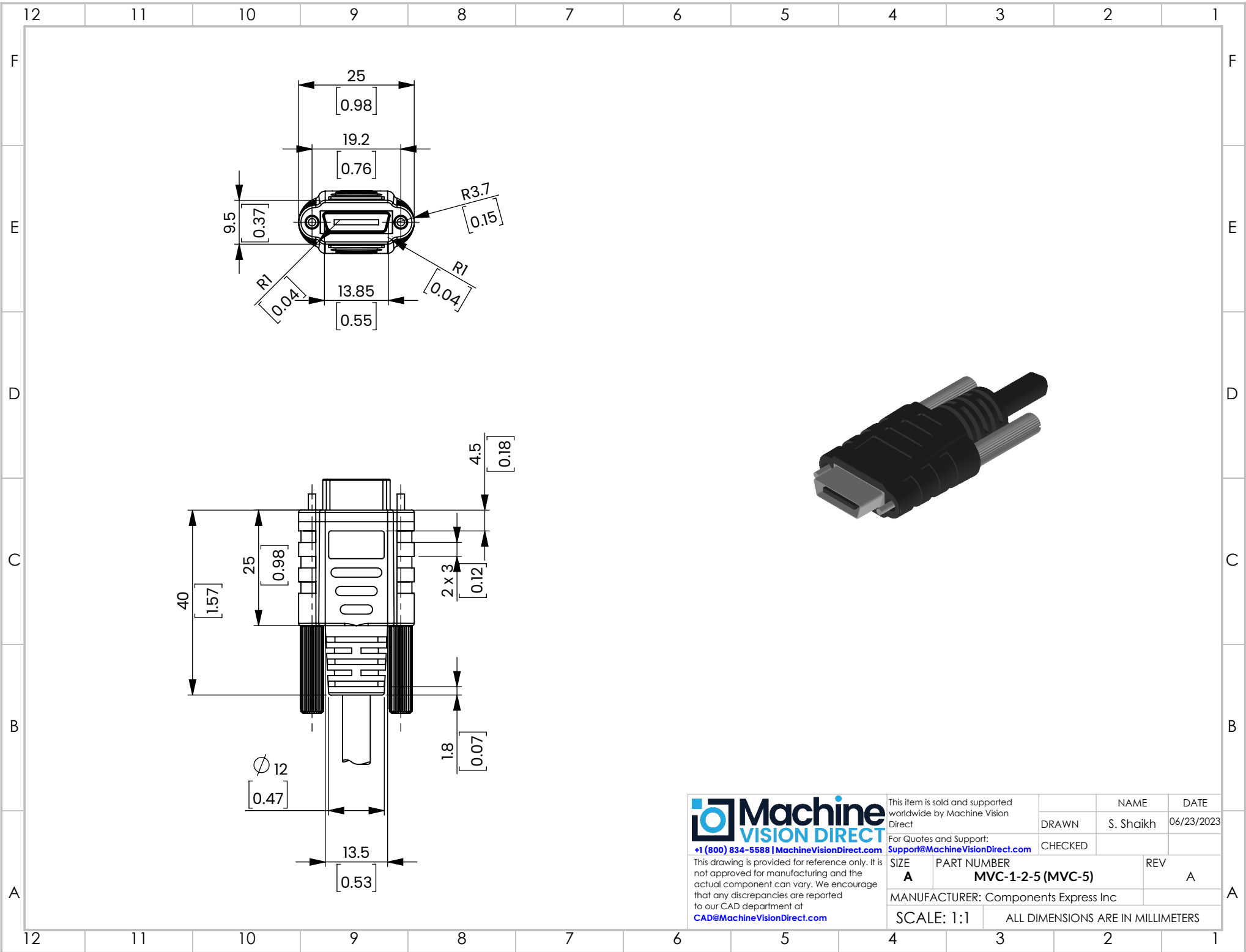
NAME	DATE
S. Shaikh	06/23/2023

DRAWN	CHECKED
-------	---------

SIZE	PART NUMBER	REV
A	MVC-1-2-5 (MVC-1)	A

MANUFACTURER: Components Express Inc

SCALE: 1:1 ALL DIMENSIONS ARE IN MILLIMETERS



Machine VISION DIRECT
 +1 (800) 834-5588 | MachineVisionDirect.com

This drawing is provided for reference only. It is not approved for manufacturing and the actual component can vary. We encourage that any discrepancies are reported to our CAD department at CAD@MachineVisionDirect.com

This item is sold and supported worldwide by Machine Vision Direct		NAME	DATE
For Quotes and Support: Support@MachineVisionDirect.com		DRAWN	S. Shaikh 06/23/2023
SIZE	PART NUMBER	CHECKED	REV
A	MVC-1-2-5 (MVC-5)		A
MANUFACTURER: Components Express Inc			
SCALE: 1:1		ALL DIMENSIONS ARE IN MILLIMETERS	