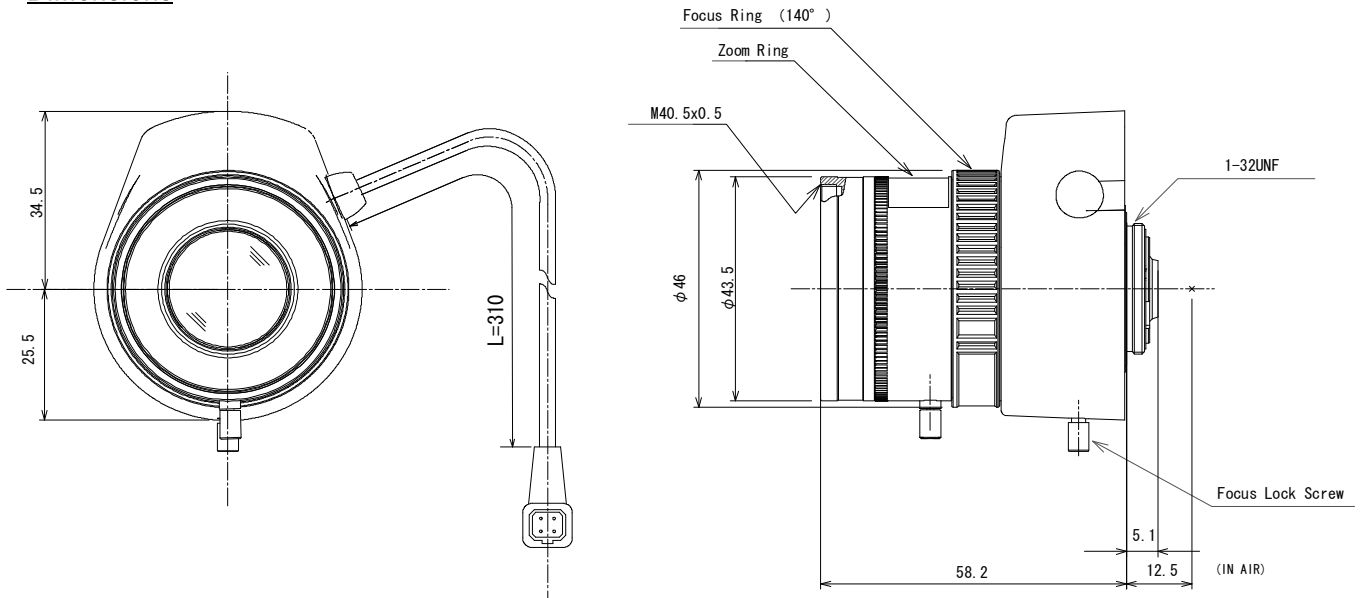


AG6Z8516FCS-MP

6X 8.5mm-50mm F1.6
for 1/2.7 type Megapixel Cameras, Vari-focal Auto Iris DC Drive
CS-Mount

| | | | | | | | |
|-----------------------|---------|------------------------------|--------------|--------------------|-------------------------------|---------------|--------------|
| Model No. | | AG6Z8516FCS-MP | | Effective | Front | ϕ 21.7mm | |
| Focal Length | | 8.5mm - 50mm | | Lens Aperture | Rear | ϕ 9.8mm | |
| Max. Aperture Ratio | | 1:1.6 | | | Back Focal Length | Tele | 9.4mm |
| Max. Image Format | | 3.2mm x 5.8mm(ϕ 6.6mm) | | Flange Back Length | | Wide | 10.7mm |
| Operation Range | Iris | F1.6 - F360C | | | Mount | CS-Mount | |
| | Focus | 1.0m - Inf. | | Filter Size | M40.5 P=0.5mm | | |
| | Zoom | 8.5mm - 50mm | | Dimensions | ϕ 46 mm x 60mm x 58.2 mm | | |
| Control | Iris | DC Auto Iris | | Weight | 80g | | |
| | Focus | Manual | | | | | |
| | Zoom | Manual | | | | | |
| Angle of View | D | 1/2.7 type | 43.7° - 7.7° | 1/2.7 type | 43.7° - 7.7° | 1/3 type | 39.7° - 7.1° |
| | H | (16:9) | 38.0° - 6.8° | (4:3) | 34.8° - 6.2° | (4:3) | 31.6° - 5.7° |
| | V | | 21.3° - 3.9° | | 26.0° - 4.7° | | 23.7° - 4.3° |
| Coil | Drive | 190 Ω /20°C | | | | | |
| | Control | 1310 Ω /20°C | | | | | |
| Operating Temperature | | -10°C - +50°C | | | | | |

Dimensions



Wiring Diagram

