

# HF75HA-1S

## Technical Datasheet

2/3"

**FUJINON**  
FUJIFILM

## Fujinon HF-HA-1S Series

**ORDER NOW** 

Fujifilm's Fujinon HF-HA-1S series lenses offer a 6.2µm pixel pitch (equivalent to 1.5 megapixels) and are suitable for up to 2/3" sensors (with the exception of the DF6HA-1S which can handle up to 1/2"). The HF-HA-1S series is the successor of the HF-HA-1B series and offers the same optical performance and the same mechanical dimensions, now with Anti Shock & Vibration Technology. These lenses offer a compact design with an outer diameter of 29.5-31.5mm.

### Specification Highlights

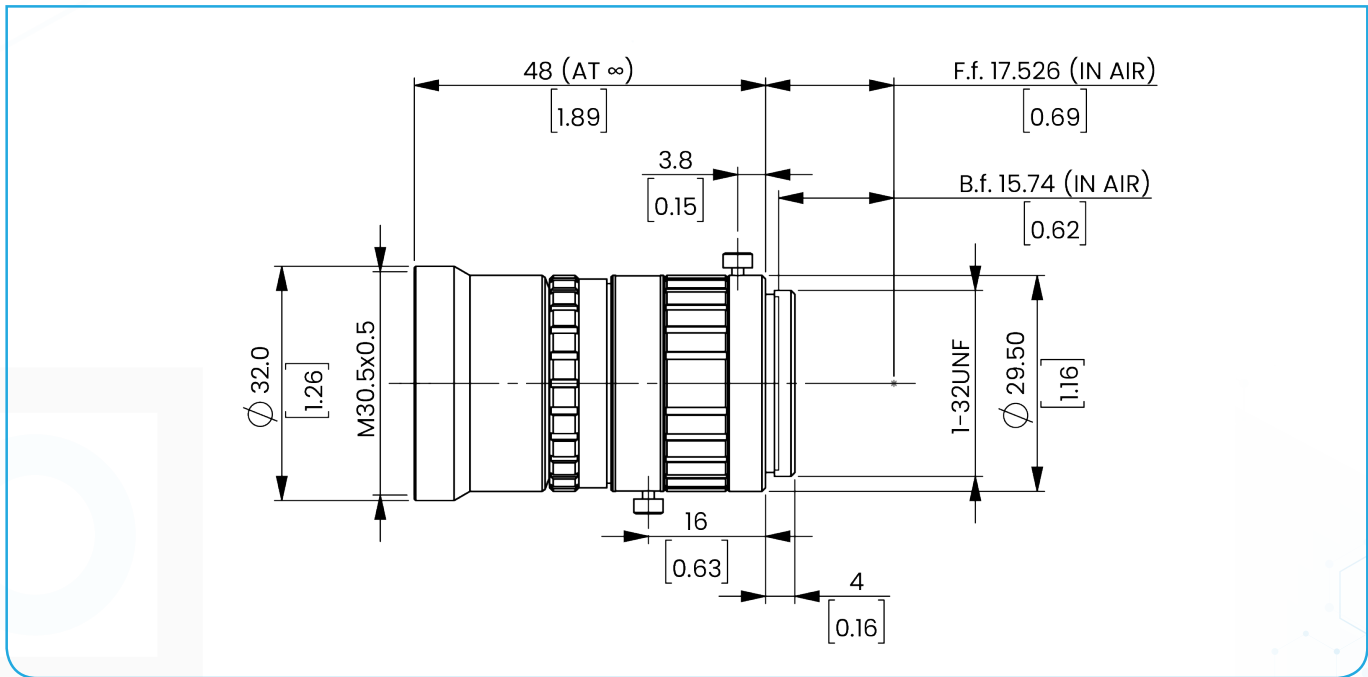
**FOCAL LENGTH:** 75 mm  
**FORMAT:** 2/3"  
**PIXEL SIZE:** 6.2 µm  
**LENS MOUNT:** C-Mount  
**APERTURE:** F2.8-F22

**WORKING DISTANCE:** 100 mm - Infinity  
**FILTER THREAD:** M30.5 x 0.5  
**WEIGHT:** 50 grams  
**RESOLUTION MP:** 1.5 MP  
**LENS CLASS:** Fixed Focal Length

## Full Specifications

Focal Length	75 mm	Flange Back	17.526 mm
Focal Length Design Value	75.01 mm	Entrance Pupil Position (From Mount)	35.48 mm
Iris Range (f-number)	F2.8-F22	Exit Pupil Position (From Image Plane)	-26.71 mm
Angle of View	6.7° x 5.0° (2/3")	Front Principal Point (From Mount)	-100.77 mm
Working Distance (From Front of Lens Barrel)	100 mm - Infinity	Rear Principal Point (From Mount)	-57.48 mm
Operation of Focus	Manual	Distance Between Principal Points	43.29 mm
Operation of Iris	Manual	TV Distortion	0.36%
Filter Thread	M30.5 x 0.5	Dimensions	φ31.5 × 48.0
Mount	C-Mount	Chief Ray Angle	11.57°
Weight	50 Grams	Relative Illumination (Aperture F4.0; Image Height at Diagonal)	88%
Sensor Size (Standard)	2/3" (6.2 μm)	Relative Illumination (Aperture at Full Open; Image Height at Diagonal)	68%
Back Focal Length (In Air)	15.75 mm	Operation Temperature	-10°C - +50°C

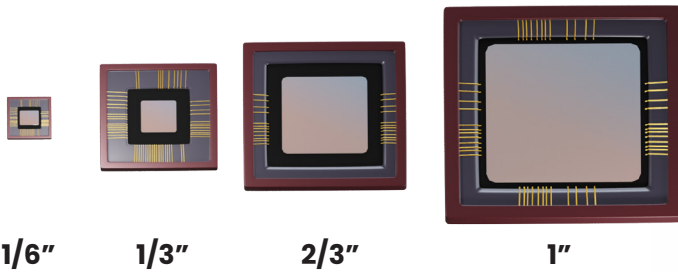
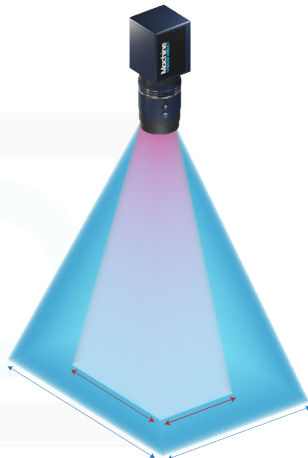
## Dimensions



## HF75HA-1S REFERENCE FOV CHART

Working Distance (mm)	Optical Magnification	Extension Ring (mm)	Field of View (mm)									
			2/3"		1/1.8"		1/2"		1/2.5"		1/3"	
			H	V	H	V	H	V	H	V	H	V
2000	0.040x	-	218.4	164.2	177.0	133.0	159.2	119.6	142.0	106.6	119.6	89.8
1950	0.041x	-	212.6	159.8	172.3	129.4	155.0	116.4	138.2	103.8	116.4	87.4
1900	0.042x	-	206.7	155.4	167.6	125.9	150.7	113.2	134.4	100.9	113.2	85.0
1850	0.044x	-	200.9	151.0	162.9	122.3	146.5	110.0	130.6	98.1	110.0	82.6
1800	0.045x	-	195.1	146.7	158.1	118.8	142.2	106.8	126.9	95.2	106.8	80.2
1750	0.046x	-	189.3	142.3	153.4	115.2	138.0	103.6	123.1	92.4	103.6	77.8
1700	0.048x	-	183.4	137.9	148.7	111.7	133.7	100.4	119.3	89.5	100.4	75.4
1650	0.049x	-	177.6	133.5	144.0	108.1	129.5	97.2	115.5	86.7	97.2	73.0
1600	0.051x	-	171.8	129.1	139.2	104.6	125.2	94.1	111.7	83.9	94.1	70.6
1550	0.053x	-	166.0	124.8	134.5	101.0	121.0	90.9	107.9	81.0	90.9	68.2
1500	0.055x	-	160.1	120.4	129.8	97.5	116.7	87.7	104.1	78.2	87.7	65.8
1450	0.057x	-	154.3	116.0	125.1	93.9	112.5	84.5	100.3	75.3	84.5	63.4
1400	0.059x	-	148.5	111.6	120.3	90.4	108.2	81.3	96.5	72.5	81.3	61.0
1350	0.061x	-	142.7	107.2	115.6	86.8	104.0	78.1	92.7	69.6	78.1	58.6
1300	0.064x	-	136.8	102.8	110.9	83.3	99.7	74.9	88.9	66.8	74.9	56.2
1250	0.067x	-	131.0	98.5	106.2	79.7	95.5	71.7	85.2	63.9	71.7	53.8
1200	0.070x	-	125.2	94.1	101.5	76.2	91.2	68.5	81.4	61.1	68.5	51.4
1150	0.073x	-	119.4	89.7	96.7	72.6	87.0	65.3	77.6	58.2	65.3	49.0
1100	0.077x	-	113.5	85.3	92.0	69.1	82.7	62.1	73.8	55.4	62.1	46.6
1050	0.081x	-	107.7	80.9	87.3	65.5	78.5	58.9	70.0	52.5	58.9	44.2
1000	0.086x	0.5	101.9	76.6	82.6	62.0	74.2	55.7	66.2	49.7	55.7	41.8
950	0.091x	0.5	96.1	72.2	77.8	58.4	70.0	52.5	62.4	46.8	52.5	39.4
900	0.097x	1	90.2	67.8	73.1	54.9	65.7	49.4	58.6	44.0	49.4	37.0
850	0.104x	1.5	84.4	63.4	68.4	51.3	61.5	46.2	54.8	41.2	46.2	34.6
800	0.112x	2	78.6	59.0	63.6	47.8	57.2	43.0	51.0	38.3	43.0	32.2
750	0.121x	5	72.7	54.6	58.9	44.2	53.0	39.8	47.2	35.5	39.8	29.8
700	0.131x	5	66.9	50.3	54.2	40.7	48.7	36.6	43.4	32.6	36.6	27.4
650	0.144x	5	61.1	45.9	49.5	37.1	44.5	33.4	39.7	29.8	33.4	25.0
600	0.159x	10	55.2	41.5	44.7	33.6	40.2	30.2	35.9	26.9	30.2	22.7
550	0.178x	10	49.4	37.1	40.0	30.0	36.0	27.0	32.1	24.1	27.0	20.3
500	0.202x	10	43.6	32.7	35.3	26.5	31.7	23.8	28.3	21.2	23.8	17.9
450	0.233x	15	37.7	28.3	30.5	22.9	27.5	20.6	24.5	18.4	20.6	15.5
400	0.276x	15	31.9	23.9	25.8	19.4	23.2	17.4	20.7	15.5	17.4	13.1
350	0.338x	20	26.0	19.5	21.1	15.8	18.9	14.2	16.9	12.7	14.2	10.7
300	0.436x	30	20.2	15.1	16.3	12.3	14.7	11.0	13.1	9.8	11.0	8.3
250	0.614x	40	14.3	10.7	11.6	8.7	10.4	7.8	9.3	7.0	7.8	5.9

FOV Charts are intended to be used as general guidance and are not guaranteed to be accurate as all sensors do not have the same dimensions, including sensors with the same format size. For the most accurate approximations, please use a lens calculator that accounts for your specific sensor dimensions



### Sensor Formats

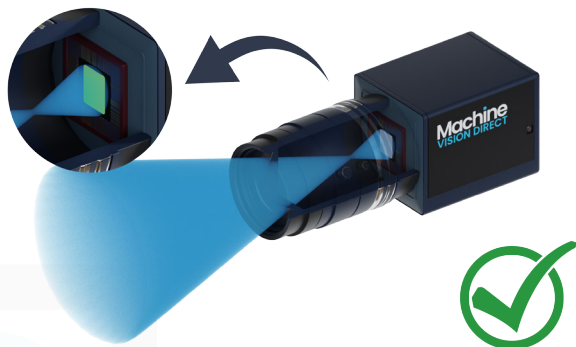
It is important to make sure you size your lens to the correct sensor size (format). The image you get from a 2/3" format lens will provide a smaller Field of View when used with a 1/3" format sensor than it will provide when used with a 2/3" format sensor, even with the same working distance

## Sensor Size Compatibility Chart

Model (Old Model Name)	Compatible format sizes								Focal length (mm)
	4/3	1.1	1	1/1.2	2/3	1/1.8	1/2	1/3	
DF6HA-1.5 (DF6HA-1B)	-	-	-	-	-	-	•	•	6
HF9HA-1S (HF9HA-1B)	-	-	-	-	•	•	•	•	9
HF12.5HA-1S (HF12.5HA-1B)	-	-	-	-	•	•	•	•	12.5
HF16HA-1S (HF16HA-1B)	-	-	-	-	•	•	•	•	16
HF25HA-1S (HF25HA-1B)	-	-	-	-	•	•	•	•	25
HF35HA-1S (HF35HA-1B)	-	-	-	-	•	•	•	•	35
HF50HA-1S (HF50HA-1B)	-	-	-	-	•	•	•	•	50
HF75HA-1S (HF75HA-1B)	-	-	-	-	•	•	•	•	75

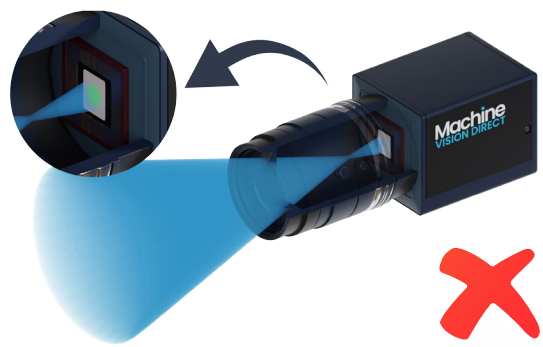
- Compatible sensor size (std.): Ideal size to maximize the target resolution.

Please note that not all sizes of sensors are listed on this chart. It is generally okay to use larger format lenses with smaller format sensors, but not the other way around



### Properly Sized Lens Format

A camera with a properly sized lens will project an image that will cover the whole sensor



### Undersized Lens Format

A camera with an undersized lens format will project an image that will not cover the whole sensor. This will cause vignetting of the image

## HF-HA-1S SERIES LENSES



### DF6HA-1S

**FOCAL LENGTH:** 6 mm  
**APERTURE:** F1.2-F16  
**WORKING DISTANCE:** 100 mm - Infinity  
**FORMAT:** 1/2"  
**FILTER THREAD:** M27 x 0.5

**ORDER NOW** 



### HF9HA-1S

**FOCAL LENGTH:** 9 mm  
**APERTURE:** F1.4-F16  
**WORKING DISTANCE:** 100 mm - Infinity  
**FORMAT:** 2/3"  
**FILTER THREAD:** M27 x 0.5

**ORDER NOW** 



### HF12.5HA-1S

**FOCAL LENGTH:** 12.5 mm  
**APERTURE:** F1.4-F16  
**WORKING DISTANCE:** 100 mm - Infinity  
**FORMAT:** 2/3"  
**FILTER THREAD:** M25.5 x 0.5

**ORDER NOW** 



### HF16HA-1S

**FOCAL LENGTH:** 16 mm  
**APERTURE:** F1.4-F16  
**WORKING DISTANCE:** 100 mm - Infinity  
**FORMAT:** 2/3"  
**FILTER THREAD:** M25.5 x 0.5

**ORDER NOW** 



### HF25HA-1S

**FOCAL LENGTH:** 25 mm  
**APERTURE:** F1.4-F16  
**WORKING DISTANCE:** 150 mm - Infinity  
**FORMAT:** 2/3"  
**FILTER THREAD:** M25.5 x 0.5

**ORDER NOW** 



### HF35HA-1S

**FOCAL LENGTH:** 35 mm  
**APERTURE:** F1.6-F22  
**WORKING DISTANCE:** 250 mm - Infinity  
**FORMAT:** 2/3"  
**FILTER THREAD:** M25.5 x 0.5

**ORDER NOW** 



### HF50HA-1S

**FOCAL LENGTH:** 50 mm  
**APERTURE:** F2.3-F22  
**WORKING DISTANCE:** 500 mm - Infinity  
**FORMAT:** 2/3"  
**FILTER THREAD:** M25.5 x 0.5

**ORDER NOW** 



### HF75HA-1S

**FOCAL LENGTH:** 75 mm  
**APERTURE:** F2.8-F22  
**WORKING DISTANCE:** 100 mm - Infinity  
**FORMAT:** 2/3"  
**FILTER THREAD:** M30.5 x 0.5

**ORDER NOW** 

## FUJINON LENS SERIES



### HF-HA-1S

**FOCAL LENGTH:** 6 mm, 9 mm, 12.5 mm  
 16 mm, 25 mm, 35 mm  
 50 mm, 75 mm

**PIXEL SIZE:** 6.2  $\mu\text{m}$

**FORMAT:** 2/3"

**RESOLUTION:** 1.5 MP

[VIEW SERIES](#)



### HF-SA

**FOCAL LENGTH:** 12.5 mm, 16 mm, 25 mm  
 35 mm, 50 mm, 75 mm

**PIXEL SIZE:** 3.45  $\mu\text{m}$

**FORMAT:** 2/3"

**RESOLUTION:** 5 MP

[VIEW SERIES](#)



### HF-XA-5M

**FOCAL LENGTH:** 6 mm, 8 mm, 12 mm  
 16 mm, 25 mm  
 35 mm, 50 mm

**PIXEL SIZE:** 3.45  $\mu\text{m}$

**FORMAT:** 2/3"

**RESOLUTION:** 5 MP

[VIEW SERIES](#)



### HF-XA-1F

**FOCAL LENGTH:** 8 mm, 12 mm, 16 mm  
 25 mm, 35 mm

**PIXEL SIZE:** 3.45  $\mu\text{m}$

**FORMAT:** 2/3"

**RESOLUTION:** 5 MP

[VIEW SERIES](#)



### HF-12M

**FOCAL LENGTH:** 8 mm, 12 mm, 16 mm  
 25 mm, 35 mm

**PIXEL SIZE:** 2.1  $\mu\text{m}$

**FORMAT:** 2/3"

**RESOLUTION:** 12 MP

[VIEW SERIES](#)



### CF-ZA-1S

**FOCAL LENGTH:** 8 mm, 12 mm, 16 mm  
 25 mm, 35 mm, 50 mm

**PIXEL SIZE:** 2.74  $\mu\text{m}$

**FORMAT:** 1.1"

**RESOLUTION:** 23 MP

[VIEW SERIES](#)



### CF-HA

**FOCAL LENGTH:** 12.5 mm, 16 mm, 25 mm  
 35 mm, 50 mm, 75 mm

**PIXEL SIZE:** 7.4  $\mu\text{m}$

**FORMAT:** 1"

**RESOLUTION:** 1.5 MP

[VIEW SERIES](#)



### FE185

**FOCAL LENGTH:** 6 mm, 9 mm, 12.5 mm  
 16 mm, 25 mm, 35 mm  
 50 mm, 75 mm

**PIXEL SIZE:** 6.2  $\mu\text{m}$

**FORMAT:** 2/3"

**RESOLUTION:** 1.5 MP

[VIEW SERIES](#)

Company and product names mentioned in this datasheet are trademarks or registered trademarks of their respective owners.

Fujifilm, Fujinon, Machine Vision Direct, LLC and all of the subsidiaries and parent companies of the aforementioned companies cannot be held responsible for any technical or typographical errors and reserve the right to make changes to products and documentation without prior notice

Revision 6/11/2023