

GOX-2402M-USB

Technical Datasheet

IMX392



See the possibilities



Apex Series

USB[™]
VISION

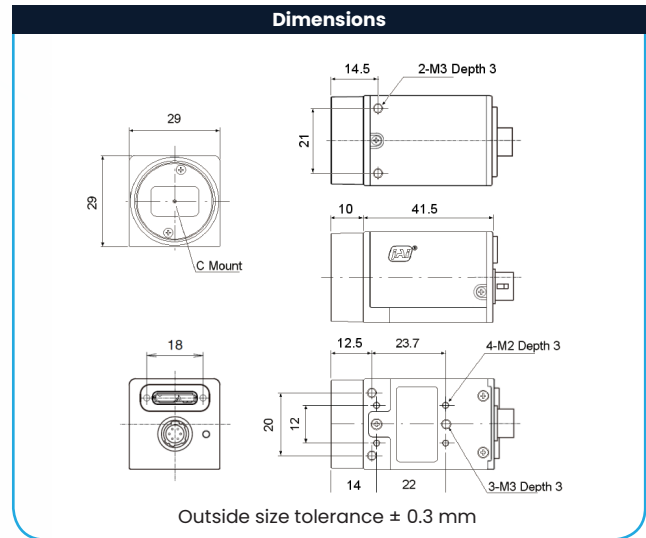
The Go-X Series offers compact, attractively-priced area scan cameras with a blend of features, image quality and industrial grade reliability that is in high demand for the next generation of machine vision systems.

The Go-X Series incorporates the most popular Sony Pregius and Pregius S global shutter CMOS sensors, and several Starvis CMOS sensors with rolling shutter technology. Resolutions range from 2.3 to 24.5 megapixels with a choice of USB3 Vision, GigE Vision (1000BASE-T or 5GBASE-T), or CoaXPress interfaces.

Specification Highlights

SENSOR:	IMX392	SHUTTER:	Global Shutter
FORMAT:	1/2.3"	FRAME RATE:	162 fps
PIXEL SIZE:	3.45 x 3.45 μ m	INTERFACE:	USB3 Vision (PoUSB)
LENS MOUNT:	C-Mount	RESOLUTION MP:	2.3 MP
SPECTRUM:	Monochrome (Visible + NIR)	RESOLUTION WxH:	1920 x 1200 px

Specifications		GOX-2402-USB
Sensor	1/2.3" CMOS global shutter (IMX392)	
Active pixels	1920 (h) x 1200 (v)	
Frame rate, full frame	162 frames/sec. @ 8-bit mono/Bayer	
Active area	6.62 mm (h) x 4.14 mm (v) - 7.81 mm diagonal	
Pixel size	3.45 μm x 3.45 μm	
System clock	74.25 MHz (for pulse generator)	
Read-out modes		
Full ROI (single)	1920 (h) x 1200 (v) up to 162 fps H: 96 to 1904 pixels in 16 pixel steps V: 8 to 1198 lines in 2 line steps	
Binning	1x2, 2x1, 2x2	
EMVA 1288 Parameters	10-bit output format	
Absolute sensitivity	Mono: 3.71 p Color: 4.86 p (λ = 527 nm)	
Maximum SNR	Mono: 39.7 dB Color: 39.7 dB	
Traditional SNR*	>60 dB mono, >60 dB color (0 dB gain, 10-bit)	
Video signal output	Monochrome: 8/10/12-bits [†] Color: 8/10/12-bit Bayer [†]	
Gain control	Manual/auto 0 dB to +42 dB	
White balance	Off, presets, or one-push/continuous AWB	
Gamma/LUT	0.45 to 1.0 (9 steps) or 257-point programmable LUT	
Synchronization	Internal	
Video modes	Normal/Single ROI, Sequencer (Trigger & Command)	
Trigger input	Opto In, Pulse Generators (4), Software, NAND Out (2), User Output (4)	
Exposure modes	Timed/EPS, RCT, Trigger Width, Auto	
Electronic shutter	Timed: 14.73 μs to 8 sec. in 1 μs steps Auto: 100 μs to 6.1 ms at full resolution	
Auto Level Control (ALC)	Shutter range from 100 μs to 6.1 ms, gain range from 0 dB to +42 dB. Tracking speeds and max. values adjustable.	
Shading correction	Flat shading, color shading (color model)	
Pre-processing functions	H & V flip (mirroring), blemish compensation, H & V decimation	
Operating temp. (ambient)	-5°C to +45°C (20 to 80% non-condensing)	
Storage temp. (ambient)	-25°C to +60°C (20 to 80% non condensing)	
Vibration	10G (20 Hz to 200 Hz, XYZ directions)	
Shock	80 G	
Regulations	CE(EN 55032:2015(CISPR32:2015), EN 55035:2017(CISPR35:2016)), FCC Part 15 Class A, RoHS/WEEE, KC	
Power	6-pin USB 3.0	+10V to +25V DC. 4.3 W typical @ +12 V +5V DC. 4.2 W typical @ +5 V
Lens mount	C-mount	
Dimensions (H x W x L)	29 mm x 29 mm x 51.5 mm	
Weight	62 g	
Ordering Information		
GOX-2402M-USB	Monochrome camera with USB3 Vision interface	
GOX-2402C-USB	Color camera with USB3 Vision interface	



Connector pin-out

DC In / Trigger

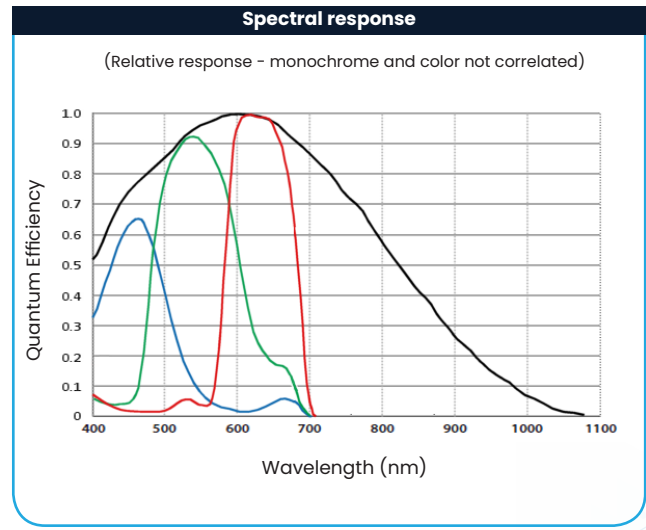
HIROSE HR10A-7R-6PB(73)

Pin	Description
1	DC in +10V to +25V
2	Opto In+
3	Opto In-
4	Opto Out+
5	Opto Out-
6	Ground

USB 3.0 Interface

Micro B type - ZX3600-B-10P or equiv.

No.	I/O	Name	Note
1	I	VBUS IN	Power (VBUS)
2	I/O	DM	USB2.0 Differential pair (-)
3	I/O	DP	USB2.0 Differential pair (+)
4	-	OTG ID	USB OTG ID for identifying lines
5	-	GND	GND
6	O	FX3 SSTXM	USB3.0 Signal Transmission line (-)
7	O	FX3 SSTXP	USB3.0 Signal Transmission line (+)
8	-	GND	GND
9	I	FX3 SSRXP	USB3.0 Signal Receiving line (-)
10	I	FX3 SSRXM	USB3.0 Signal Receiving line (+)



*Traditional SNR is based on random noise in a single frame, where EMVA SNR measurements consider more comprehensive noise sources and variance over time.

[†]12-bit output available in video processing bypass mode. See manual for details.

Product Highlights

- Go-X Series delivers exceptional combination of price and performance
- 2.3-megapixel, 1/2.3" CMOS imager (global shutter)
- Up to 162 fps at full resolution (1920 x 1200)
- 3.45 μm square pixels
- 8/10/12-bit* output in choice of monochrome or raw Bayer color models
- ROI settings for added flexibility
- Horizontal/vertical image flip function, plus blemish correction and shading compensation
- Includes Sequencer function and Automatic Level Control (ALC) for dynamic lighting conditions
- Compact size with excellent shock and vibration resistance
- Accepts power over USB3 Vision interface or via separate 6-pin connector
- C-mount lens mount

* Not all processing functions supported with 12-bit output.

Additional Product Images



Company and product names mentioned in this datasheet are trademarks or registered trademarks of their respective owners.

JAI A-S and Machine Vision Direct, LLC Cannot be held responsible for any technical or typographical errors and reserves the right to make changes to products and documentation without prior notice