

GOX-3200M-USB

Technical Datasheet

IMX252



See the possibilities



Apex Series

USBTM
VISION

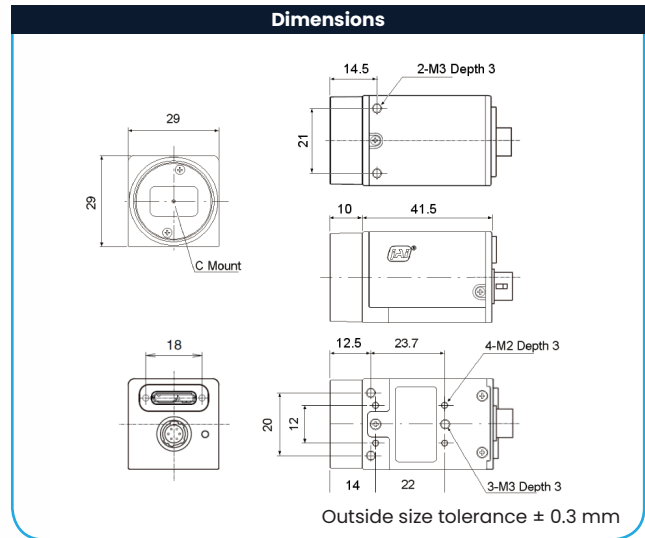
The Go-X Series offers compact, attractively-priced area scan cameras with a blend of features, image quality and industrial grade reliability that is in high demand for the next generation of machine vision systems.

The Go-X Series incorporates the most popular Sony Pregius and Pregius S global shutter CMOS sensors, and several Starvis CMOS sensors with rolling shutter technology. Resolutions range from 2.3 to 24.5 megapixels with a choice of USB3 Vision, GigE Vision (1000BASE-T or 5GBASE-T), or CoaXPress interfaces.

Specification Highlights

SENSOR:	IMX252	SHUTTER:	Global Shutter
FORMAT:	1/1.8"	FRAME RATE:	119 fps
PIXEL SIZE:	3.45 x 3.45 μ m	INTERFACE:	USB3 Vision (PoUSB)
LENS MOUNT:	C-Mount	RESOLUTION MP:	3.2 MP
SPECTRUM:	Monochrome (Visible + NIR)	RESOLUTION WxH:	2048 x 1536 px

Specifications		GOX-3200-USB
Sensor		1/1.8" CMOS global shutter (IMX252)
Active pixels		2048 (h) x 1536 (v)
Frame rate, full frame		119 frames/sec. @ 8-bit mono/Bayer
Active area		7.07 mm (h) x 5.3 mm (v) - 8.83 mm diagonal
Pixel size		3.45 μm x 3.45 μm
System clock		74.25 MHz (for pulse generator)
Read-out modes		
Full ROI (single)		2048 (h) x 1536 (v) up to 119 fps H: 96 to 2032 pixels in 16 pixel steps V: 8 to 1534 lines in 2 line steps
Binning		1x2, 2x1, 2x2
EMVA 1288 Parameters		10-bit output format
Absolute sensitivity		Mono: 3.28 p Color: 3.59 p (λ = 527 nm)
Maximum SNR		Mono: 39.7 dB Color: 39.7 dB
Traditional SNR*		>60 dB mono, >60 dB color (0 dB gain, 10-bit)
Video signal output		Monochrome: 8/10/12-bits [†] Color: 8/10/12-bit Bayer [†]
Gain		Manual/auto 0 dB to +42 dB
White balance		Off, presets, or one-push/continuous AWB
Gamma/LUT		0.45 to 1.0 (9 steps) or 257-point programmable LUT
Synchronization		Internal
Video modes		Normal, Single ROI, Multi ROI, Sequence (Trigger & Command)
Trigger input		Opto In, Pulse Generators (4), Software, NAND Out (2), User Output (4)
Exposure modes		Timed/EPS, RCT, Trigger Width, Auto
Electronic shutter		Timed: 14.73 μs to 8 sec. in 1 μs steps Auto: 100 μs to 8.4 ms at full resolution
Auto level control (ALC)		Shutter range from 100 μs to 8.4 ms, gain range from 0 dB to +42 dB. Tracking speeds and max. values adjustable.
Shading correction		Flat shading, color shading (color model)
Pre-processing functions		H & V flip (mirroring), blemish compensation, H & V decimation
Operating temp. (ambient)		-5°C to +45°C (20 to 80% non-condensing)
Storage temp. (ambient)		-25°C to +60°C (20 to 80% non condensing)
Vibration		10G (20 Hz to 200 Hz, XYZ directions)
Shock		80 G
Regulations		CE(EN 55032:2015(CISPR32:2015), EN 55035:2017(CISPR35:2016)), FCC Part 15 Class A, RoHS/WEEE, KC
Power	6-pin USB 3.0	+10V to +25V DC. 4.3 W typical @ +12 V +5V DC. 4.2 W typical @ +5 V
Lens mount		C-mount
Dimensions (H x W x L)		29 mm x 29 mm x 51.5 mm
Weight		62 g
Ordering Information		
GOX-3200M-USB		Monochrome camera with USB3 Vision interface
GOX-3200C-USB		Color camera with USB3 Vision interface



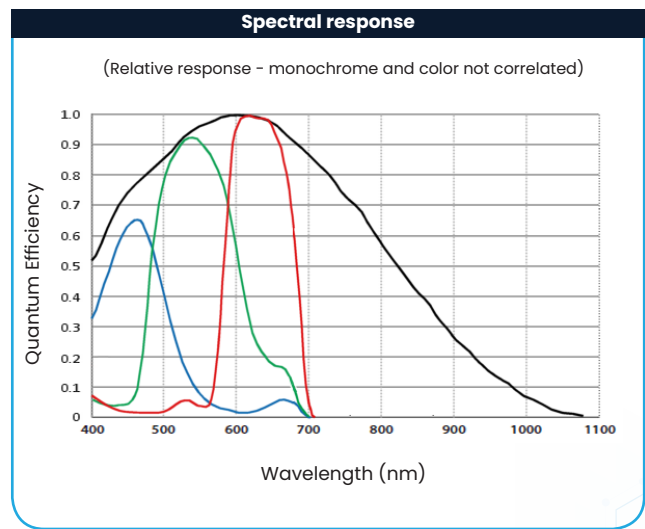
Connector pin-out

DC In / Trigger

USB 3.0 Interface

HIROSE HR10A-7R-6PB(73) Micro B type - ZX3600-B-10P or equiv.

Pin	Signal	No	I/O	Name	Note
1	DC in +10V to +25V	1	I	VBUS IN	Power (VBUS)
2	Opto In+	2	I/O	DM	USB2.0 Differential pair (-)
3	Opto In-	3	I/O	DP	USB2.0 Differential pair (+)
4	Opto Out+	4	-	OTG ID	USB OTG ID for identifying lines
5	Opto Out-	5	-	GND	GND
6	Ground	6	O	FX3 SSTXM	USB3.0 Signal Transmission line (-)
		7	O	FX3 SSTXP	USB3.0 Signal Transmission line (+)
		8	-	GND	GND
		9	I	FX3 SSRXP	USB3.0 Signal Receiving line (-)
		10	I	FX3 SSRXM	USB3.0 Signal Receiving line (+)



*Traditional SNR is based on random noise in a single frame, where EMVA SNR measurements consider more comprehensive noise sources and variance over time.

[†]12-bit output available in video processing bypass mode. See manual for details.

Product Highlights

- Go-X Series delivers exceptional combination of price and performance
- 3.2-megapixel, 1/1.8" CMOS imager (global shutter)
- Up to 119 fps at full resolution (2048 x 1536)
- 3.45 μm square pixels
- 8/10/12-bit* output in choice of monochrome or raw Bayer color models
- ROI settings for added flexibility
- Horizontal/vertical image flip function, plus blemish correction and shading compensation
- Includes Sequencer function and Automatic Level Control (ALC) for dynamic lighting conditions
- Compact size with excellent shock and vibration resistance
- Accepts power over USB3 Vision interface or via separate 6-pin connector
- C-mount lens mount

* Not all processing functions supported with 12-bit output.

Additional Product Images



Company and product names mentioned in this datasheet are trademarks or registered trademarks of their respective owners.

JAI A-S and Machine Vision Direct, LLC Cannot be held responsible for any technical or typographical errors and reserves the right to make changes to products and documentation without prior notice