

GOX-5105C-5GE

Technical Datasheet



See the possibilities

IMX547 Pregius S



Apex Series



The Go-X Series offers compact, attractively-priced area scan cameras with a blend of features, image quality and industrial grade reliability that is in high demand for the next generation of machine vision systems.

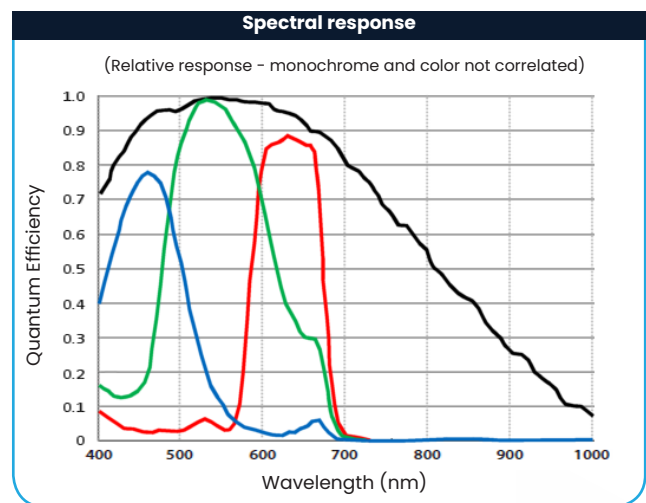
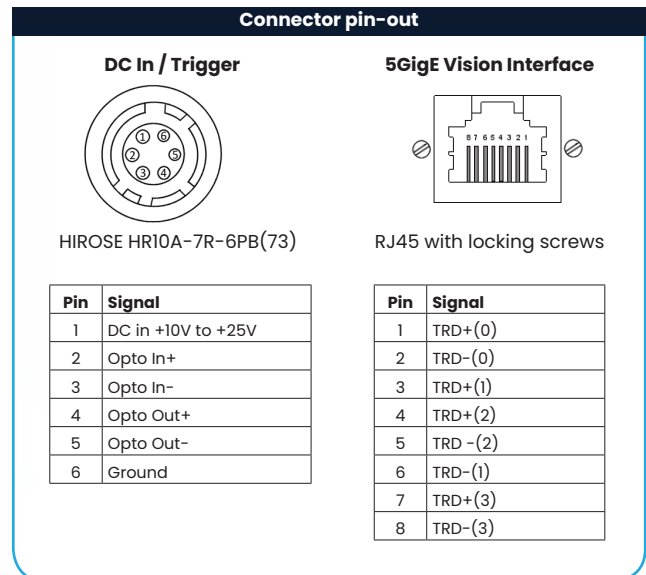
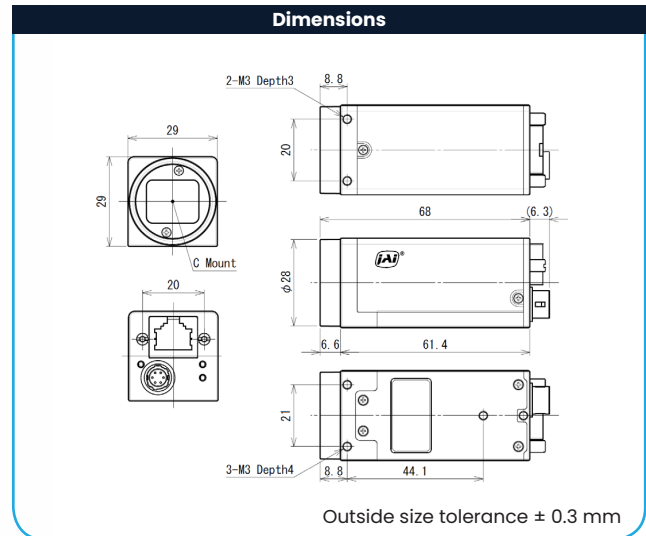
The Go-X Series incorporates the most popular Sony Pregius and Pregius S global shutter CMOS sensors, and several Starvis CMOS sensors with rolling shutter technology. Resolutions range from 2.3 to 24.5 megapixels with a choice of USB3 Vision, GigE Vision (1000BASE-T or 5GBASE-T), or CoaXPress interfaces.

Specification Highlights

SENSOR: IMX547 Pregius S
FORMAT: 1/1.8"
PIXEL SIZE: 2.74 x 2.74 μm
LENS MOUNT: C-Mount
SPECTRUM: Color (Visible)

SHUTTER: Global Shutter
FRAME RATE: 103 fps
INTERFACE: 5 Gbps GigE Vision
RESOLUTION MP: 5.1 MP
RESOLUTION WxH: 2448 x 2048 px

Specifications		GOX-5105-5GE
Sensor		1/1.8" CMOS global shutter (IMX547)
Active pixels		2472 (h) x 2064 (v)
Frame rate		103 frames/sec. @ 8-bit mono/Bayer
Active area		6.8 mm (h) x 5.6 mm (v) - 8.82 mm diagonal
Pixel size		2.74 μm x 2.74 μm
Read-out modes		
Full ROI (single)		2472 (h) x 2064 (v) up to 103 fps H: 96 to 2472 pixels in 8 pixel steps V: 8 to 2064 lines in 2 line steps
ROI (multi)		Up to 64 scanning areas - no overlap
Binning		1x2, 2x1, 2x2 (mono only)
Image scaling (Xscale)		Supports independent, sub-pixel rescaling of H and/or V resolution (1/16 max.)
EMVA 1288 Parameters		10-bit output format
Absolute sensitivity		Mono: TBD p Color: TBD p ($\lambda = 527 \text{ nm}$)
Maximum SNR		Mono: TBD dB Color: TBD dB
Traditional SNR (Dark)*		>60 dB mono, >60 dB color (0 dB gain, 10-bit)
Video signal output		Monochrome: 8/10/12-bits Color: 8/10/12-bit Bayer or 24/32-bit RGB
Gain		Manual/auto 0 dB to +42 dB
White balance		Off, presets, or one-push/continuous AWB
Gamma/LUT		0.45 to 1.0 (9 steps) or 257-point programmable LUT
Time synchronization		Support for Precision Time Protocol (IEEE 1588)
Trigger input		Opto In, Pulse Generators (4), Software, NAND Out (2), User Output (4), Actions
Exposure modes		Timed/EPS, RCT, Trigger Width, Auto
Electronic shutter		Timed: 3.45 μs to 8 sec. in 1 μs steps Auto: 100 μs to 9.7 ms at full resolution
Auto Level Control (ALC)		Shutter range from 100 μs to 9.7 ms, gain range from 0 dB to +42 dB. Tracking speeds and min/max values adjustable.
Shading correction		Flat shading, color shading (color model)
Video processing functions		H & V flip (mirroring), blemish compensation, edge enhancement, color conversion (color model)
Operating temp. (ambient)		-5°C to +45°C (20 to 80% non-condensing)
Storage temp. (ambient)		-25°C to +60°C (20 to 80% non condensing)
Vibration		10G (20 Hz to 200 Hz, XYZ directions)
Shock		80 G
Regulations		CE(EN 55032:2015(CISPR32:2015), EN 55035:2017(CISPR35:2016)), FCC Part 15 Class A, RoHS/WEEE, KC
Power	6-pin PoE	+10V to +25V DC. 5.1 W typical @ +12 V +36V to +57 V DC. 6.7 W typical @ +48 V
Lens mount		C-mount
Dimensions (H x W x L)		29 mm x 29 mm x 68 mm
Weight		95 g
Ordering Information		
GOX-5105M-5GE		Monochrome camera with 5GigE Vision interface
GOX-5105C-5GE		Color camera with 5GigE Vision interface

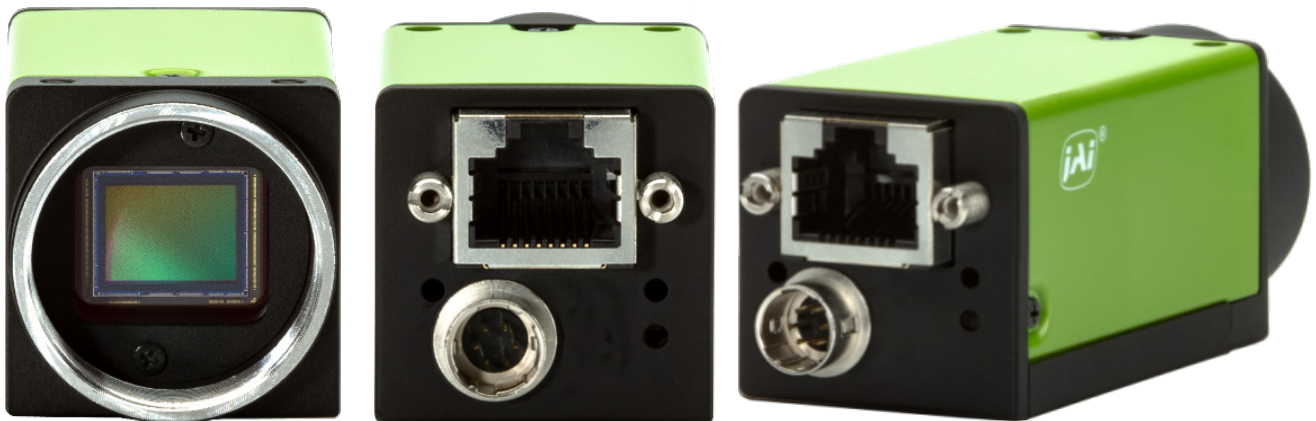


*Traditional SNR is based on random noise in a single frame, where EMVA SNR measurements consider more comprehensive noise sources and variance over time.

Product Highlights

- High performance camera with 5.1-megapixel resolution
- 1/1.8" CMOS imager (global shutter) features backside illuminated pixel technology
- 2472 x 2064 resolution with 2.74 μm square pixels
- Up to 103 fps over high performance 5GBASE-T interface (5 gigabits per second)
- Can auto-negotiate to 2.5GBASE-T and standard GigE (1000BASE-T)
- 8/10/12-bit output in choice of monochrome or raw Bayer color models
- Flexible ROI & rescaling function (Xscale) for sub-pixel color/mono binning and resolution matching
- Traditional 1x2, 2x1, or 2x2 binning also included on monochrome models
- Horizontal/vertical image flip function, plus blemish compensation and shading correction
- Bayer model includes 5x5 debayering function plus built-in color conversion and temperature presets
- Includes Sequencer function and Automatic Level Control (ALC) for dynamic lighting conditions
- Compact size with excellent shock and vibration resistance
- Accepts power over GigE Vision interface or via separate 6-pin connector
- C-mount lens mount

Additional Product Images



Company and product names mentioned in this datasheet are trademarks or registered trademarks of their respective owners.

JAI A-S and Machine Vision Direct, LLC Cannot be held responsible for any technical or typographical errors and reserves the right to make changes to products and documentation without prior notice