

GOX-8901M-PGE

Technical Datasheet

IMX267



See the possibilities



Apex Series



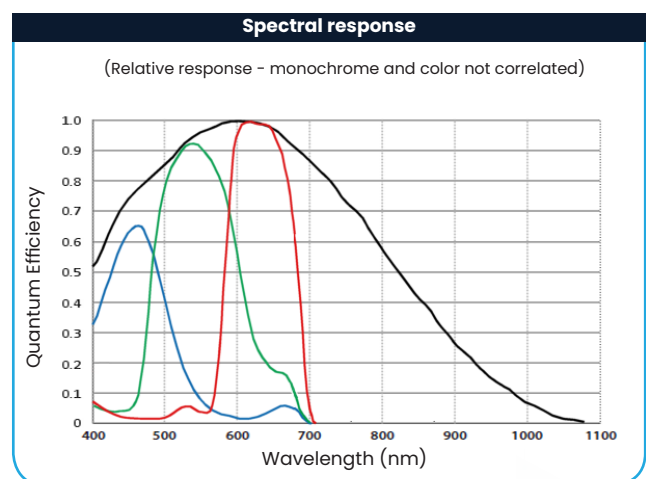
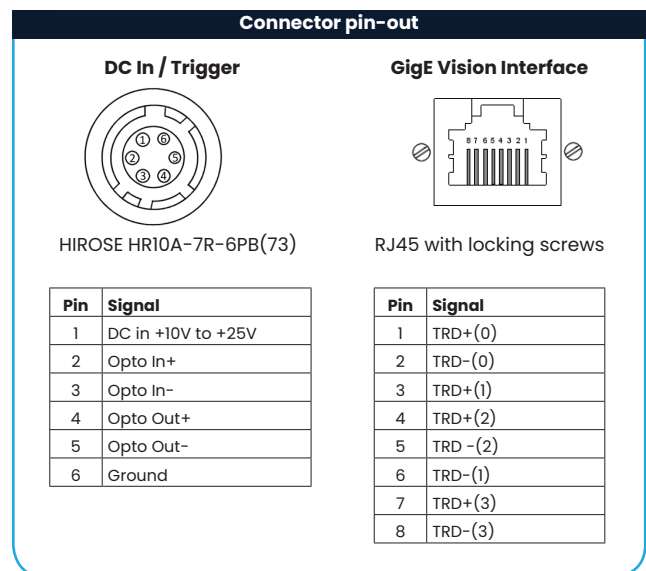
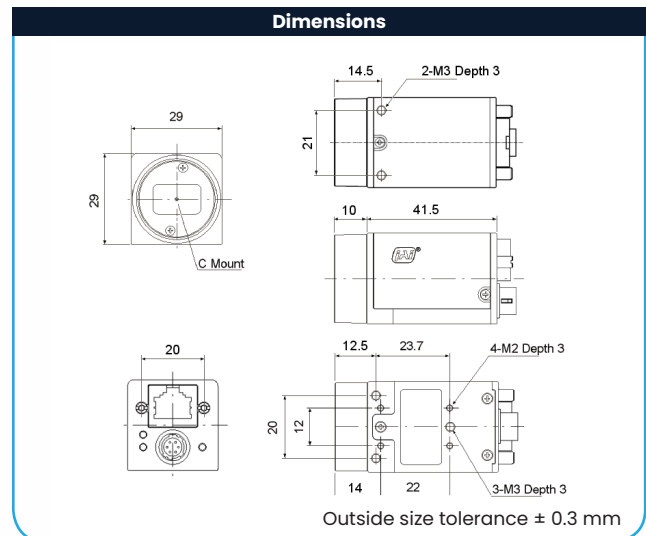
The Go-X Series offers compact, attractively-priced area scan cameras with a blend of features, image quality and industrial grade reliability that is in high demand for the next generation of machine vision systems.

The Go-X Series incorporates the most popular Sony Pregius and Pregius S global shutter CMOS sensors, and several Starvis CMOS sensors with rolling shutter technology. Resolutions range from 2.3 to 24.5 megapixels with a choice of USB3 Vision, GigE Vision (1000BASE-T or 5GBASE-T), or CoaXPress interfaces.

Specification Highlights

SENSOR:	IMX267	SHUTTER:	Global Shutter
FORMAT:	1"	FRAME RATE:	12 fps
PIXEL SIZE:	3.45 x 3.45 μm	INTERFACE:	GigE Vision 1-Cable (PoE)
LENS MOUNT:	C-Mount	RESOLUTION MP:	8.9 MP
SPECTRUM:	Monochrome (Visible + NIR)	RESOLUTION WxH:	4096 x 2160 px

Specifications	GOX-8901-PGE
Sensor	1" CMOS global shutter (IMX267)
Active pixels	4096 (h) x 2160 (v)
Frame rate	12.99 frames/sec. @ 8-bit mono/Bayer
Active area	14.13 mm (h) x 7.45 mm (v) - 15.98 mm diagonal
Pixel size	3.45 μm x 3.45 μm
System clock	74.25 MHz (for pulse generator)
Read-out modes	
Full ROI (single)	4096 (h) x 2160 (v) up to 12.99 fps H: 96 - 4080 pixels in 16-pixel steps V: 8 to 2158 lines in 2-line steps
Binning	1x2, 2x1, 2x2 (mono only)
EMVA 1288 Parameters	10-bit output format
Absolute sensitivity	Mono: 3.42 p Color: 4.00 p ($\lambda = 527 \text{ nm}$)
Maximum SNR	Mono: 39.6 dB Color: 39.7 dB
Traditional SNR*	>60 dB mono, >60 dB color (0 dB gain, 10-bit)
Video signal output	Monochrome: 8/10/12-bits [†] Color: 8/10/12-bit Bayer [†]
Gain control	Manual/auto 0 dB to +42 dB
White balance	Off, presets, or one-push/continuous AWB
Gamma/LUT	0.45 to 1.0 (9 steps) or 257-point programmable LUT
Synchronization	Internal
Video modes	Normal/Single ROI, Sequencer (Trigger & Command)
Trigger input	Opto In, Pulse Generators (4), Software, NAND Out (2), User Output (4)
Exposure modes	Timed/EPS, RCT, Trigger Width, Auto
Electronic shutter	Timed: 15.26 μs to 8 s in 1 μs steps Auto: 100 μs to 76.9 ms at full resolution
Auto Level Control (ALC)	Shutter range from 100 μs to 76.9 ms, gain range from 0 dB to +42 dB. Tracking speeds and max. values adjustable.
Shading correction	Flat shading, color shading (color model)
Pre-processing functions	H & V flip (mirroring), blemish compensation, H & V decimation
Operating temp. (ambient)	-5°C to +45°C (20 to 80% non-condensing)
Storage temp. (ambient)	-25°C to +60°C (20 to 80% non condensing)
Vibration	10G (20 Hz to 200 Hz, XYZ directions)
Shock	80G
Regulations	CE (EN 55032:2015 (CISPR32:2015), EN 55035:2017 (CISPR35:2016)), FCC Part 15 Class A, RoHS/WEEE, KC
Power	6-pin PoE +10V to +25V DC. 2.7 W typical @ +12 V +36V to +57 V DC. 3.7 W typical @ +48 V
Lens mount	C-mount
Dimensions (H x W x L)	29 mm x 29 mm x 51.5 mm
Weight	65 g
Ordering Information	
GOX-8901M-PGE	Monochrome camera with GigE Vision interface
GOX-8901C-PGE	Color camera with GigE Vision interface



*Traditional SNR is based on random noise in a single frame, where EMVA SNR measurements consider more comprehensive noise sources and variance over time.

[†]Part of free firmware upgrade scheduled for April 2023.

Product Highlights

- Go-X Series delivers exceptional combination of price and performance
- 8.9-megapixel, 1" CMOS imager (global shutter)
- Up to 12.99 fps at full resolution (4096 x 2160)
- 3.45 μm square pixels
- 8/10/12-bit* output in choice of monochrome or raw Bayer color models
- ROI settings for added flexibility
- Horizontal/vertical image flip function, plus blemish correction and shading compensation
- Includes Sequencer function and Automatic Level Control (ALC) for dynamic lighting conditions
- Compact size with excellent shock and vibration resistance
- Accepts power over GigE Vision interface or via separate 6-pin connector
- C-mount lens mount

* Not all processing functions supported with 12-bit output.

Additional Product Images



Company and product names mentioned in this datasheet are trademarks or registered trademarks of their respective owners.

JAI A-S and Machine Vision Direct, LLC Cannot be held responsible for any technical or typographical errors and reserves the right to make changes to products and documentation without prior notice