

SP-12401M-USB

Technical Datasheet

IMX307



See the possibilities



Apex Series

USB[™]
VISION

Spark Series area scan cameras are the perfect choice for machine vision applications demanding high quality images with the highest possible throughput. They feature the latest CMOS imagers delivering high resolution images at speeds as much as 10 times faster than traditional CCD cameras.

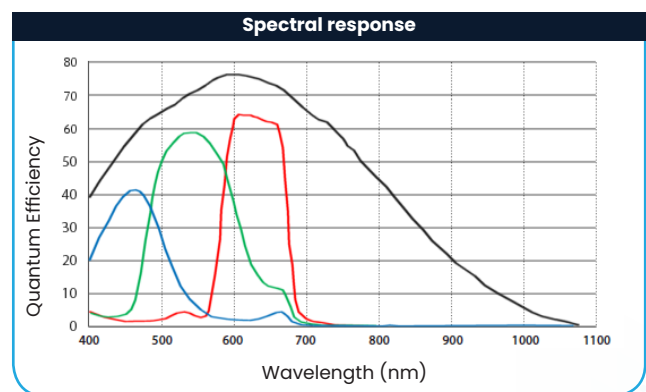
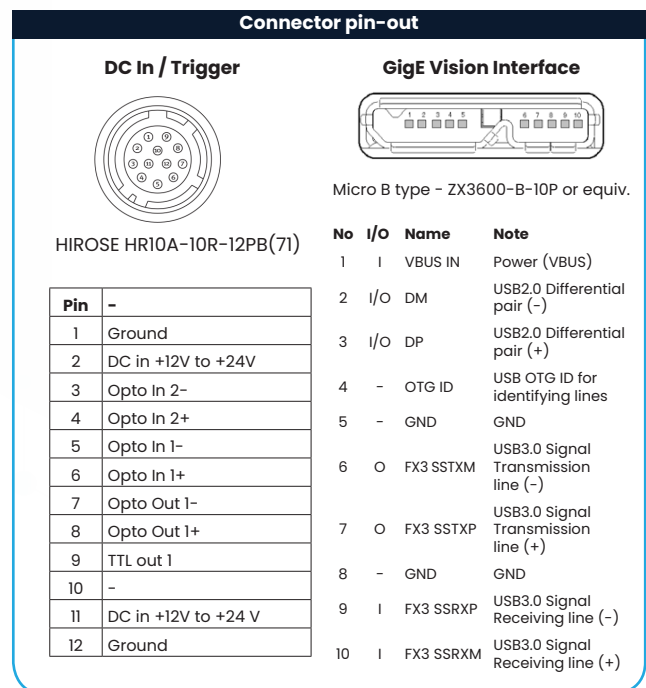
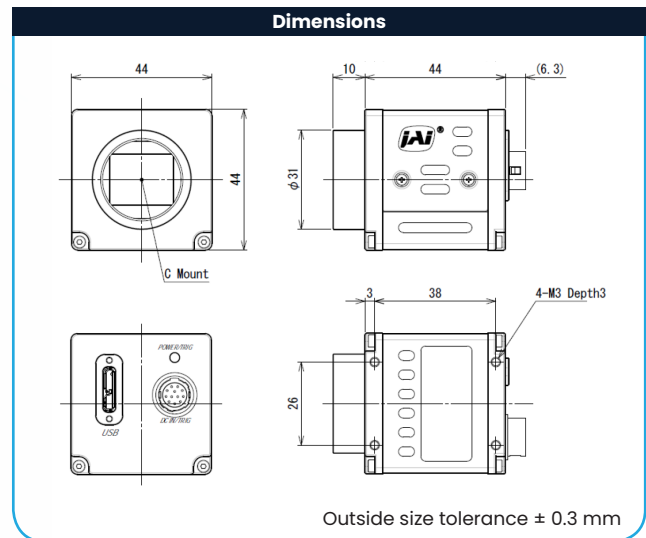
For example, 45-megapixel (MP) models can deliver over 50 fps output while some 5-MP models run at 250 fps or more. Using the region-of-interest (ROI) feature, even higher frame rates can be achieved.

Specification Highlights

SENSOR:	IMX307	SHUTTER:	Global Shutter
FORMAT:	1.1"	FRAME RATE:	23 fps
PIXEL SIZE:	3.45 x 3.45 μm	INTERFACE:	USB3 Vision (PoUSB)
LENS MOUNT:	C-Mount	RESOLUTION MP:	12.4 MP
SPECTRUM:	Monochrome (Visible + NIR)	RESOLUTION WxH:	4112 x 3008 px

Specifications		SP-12401-USB
Sensor	1.1" CMOS global shutter (IMX304)	
Active pixels	Monochrome: 4112 (h) x 3008 (v) Color: 4088 (h) x 3000 (v)	
Frame rate, full frame	23.4 frames/sec. @ 8-bit	
Active area	14.2 mm (h) x 10.4 mm (v) - 17.6 mm diagonal	
Pixel size	3.45 μm x 3.45 μm	
System clock	74.25 MHz (for pulse generator)	
Read-out modes		
Full ROI (single)	4112/4088 (h) x 3008/3000 (v) up to 23.4 fps H: 16 to 4112/4088 pixels in 16 pixel steps V: 8 to 3008/3000 lines in 4 line steps	
ROI (multi)	Up to 5 overlapping scanning areas can be defined.	
Binning	1x2, 2x1, 2x2	
EMVA 1288 Parameters	12-bit output format	
Absolute sensitivity	Mono: 3.39 p Color: 3.76 p (λ = 525 nm)	
Maximum SNR	Mono: 40.02 dB Color: 40.18 dB	
Traditional SNR*	>60 dB (0 dB gain, 10-bit)	
Video signal output	Monochrome: 8/10/12-bits† Color: 8/10/12-bit Bayer or 24/30-bit RGB†	
Video modes	Normal, Single ROI, Multi ROI, Sequencer	
Gain	Manual/auto 0 dB to +24 dB	
White balance	Off, 4 presets (3200K, 5000K, 6500K, 7500K), or one-push/continuous AWB (3000K to 9000K)	
Gamma/LUT	0.45 to 1.0 (9 steps) or 257-point programmable LUT	
Shading correction	Flat shading, color shading	
Trigger input	Opto In (2), Pulse Generators (4), Software, NAND Out (2), User Output (4)	
Exposure modes	Timed/EPS, Trigger Width, RCT, Auto	
Electronic shutter	Timed: 15.26 μs to 8 s Trigger width: 15.26 μs to ∞ s	
Auto level control (ALC)	Shutter range from 100 μs to 107.5 ms, gain range from 0 dB to +24 dB. Tracking speeds and max. values adjustable.	
Pre-processing functions	Color enhancer, edge enhancer, color space conversion (RGB to HSI, XYZ, sRGB, Adobe RGB), 5x5 de-Bayering, blemish compensation (800 pixels)	
Synchronization	Synchronization	
Operating temp. (ambient)	-5°C to +45°C (20 to 80% non-condensing)	
Storage temp. (ambient)	-25°C to +60°C (20 to 80% non condensing)	
Vibration	10G (20 Hz to 200 Hz, XYZ directions)	
Shock	80 G	
Regulations	CE (EN61000-6-2, EN61000-6-3) FCC Part 15 Class B, RoHS/WEEE	
Power	12-pin USB bus power	+12V to +24V DC ± 10%. 3.7 W typical @ +12 V Not supported
Lens mount	C-mount	
Dimensions (H x W x L)	44 mm x 44 mm x 44 mm (excl. connectors)	
Weight	130 g	
Ordering Information		
SP-12401M-USB	Monochrome camera with USB3 Vision	
SP-12401C-USB	Color camera with USB3 Vision	

*Traditional SNR is based on random noise in a single frame, where EMVA SNR measurements consider more comprehensive noise sources and variance over time.



†12-bit output available in video processing bypass mode. See manual for details.

Product Highlights

- High resolution 12-megapixel CMOS imager (global shutter)
- 23.4 fps at full resolution
- 3.45 μm square pixels
- User selectable ROI and multi-ROI functions
- Horizontal and vertical binning (monochrome model) for increased sensitivity
- Color model provides raw Bayer output or 5x5 in-camera color interpolation
- Edge enhancement function
- Color enhancer and RGB/HSI/XYZ color space conversion functions on color model
- Excellent shock and vibration resistance
- 8/10/12-bit* output over USB3 Vision interface
- C-mount lens mount

* Some video processing functions not available with 12-bit output

Additional Product Images



Company and product names mentioned in this datasheet are trademarks or registered trademarks of their respective owners.

JAI A-S and Machine Vision Direct, LLC Cannot be held responsible for any technical or typographical errors and reserves the right to make changes to products and documentation without prior notice