

12 11 10 9 8 7 6 5 4 3 2 1

F

F

E

E

D

D

C

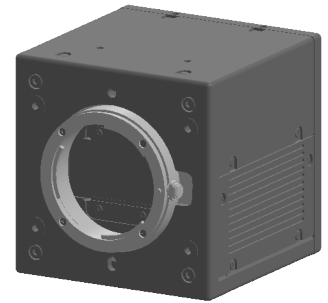
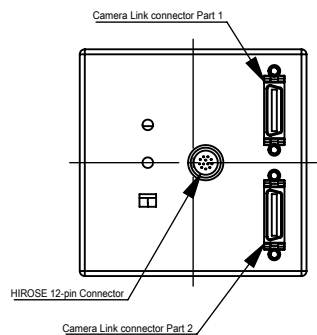
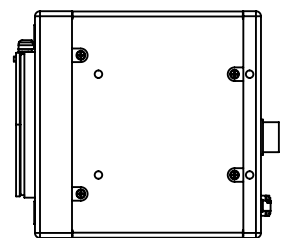
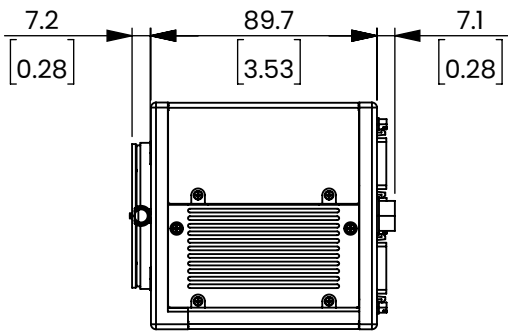
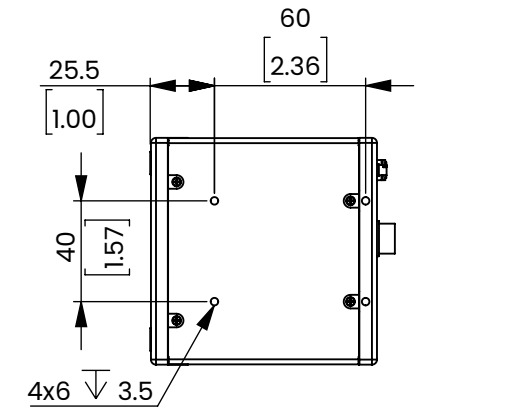
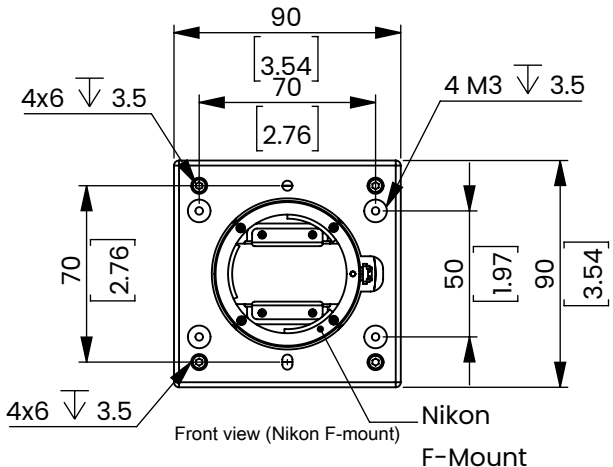
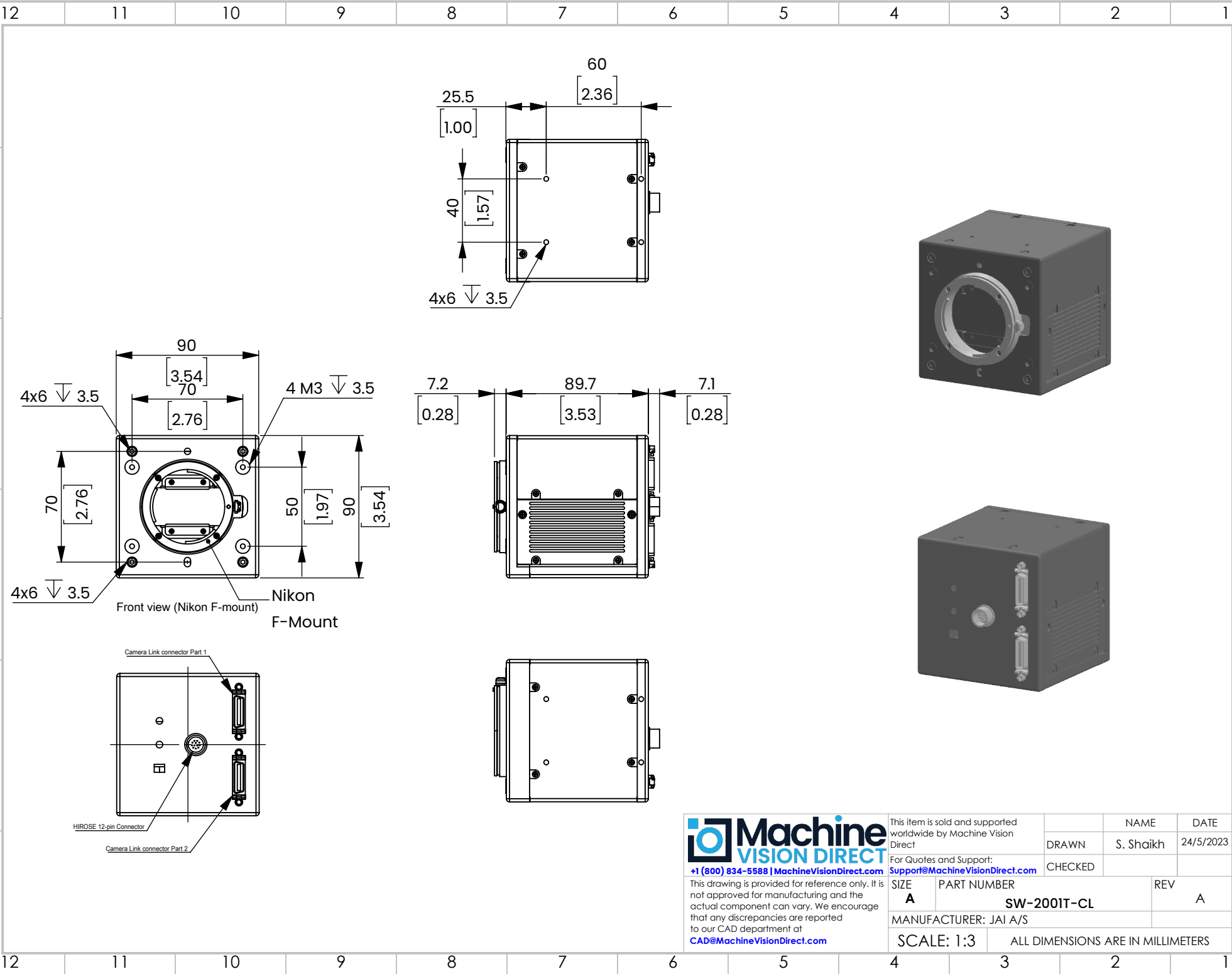
C

B

B

A

A



Machine VISION DIRECT
 +1 (800) 834-5588 | MachineVisionDirect.com
 This drawing is provided for reference only. It is not approved for manufacturing and the actual component can vary. We encourage that any discrepancies are reported to our CAD department at CAD@MachineVisionDirect.com

This item is sold and supported worldwide by Machine Vision Direct		NAME	DATE
For Quotes and Support: Support@MachineVisionDirect.com		S. Shaikh	24/5/2023
SIZE	PART NUMBER	CHECKED	REV
A	SW-2001T-CL		A
MANUFACTURER: JAI A/S			
SCALE: 1:3		ALL DIMENSIONS ARE IN MILLIMETERS	