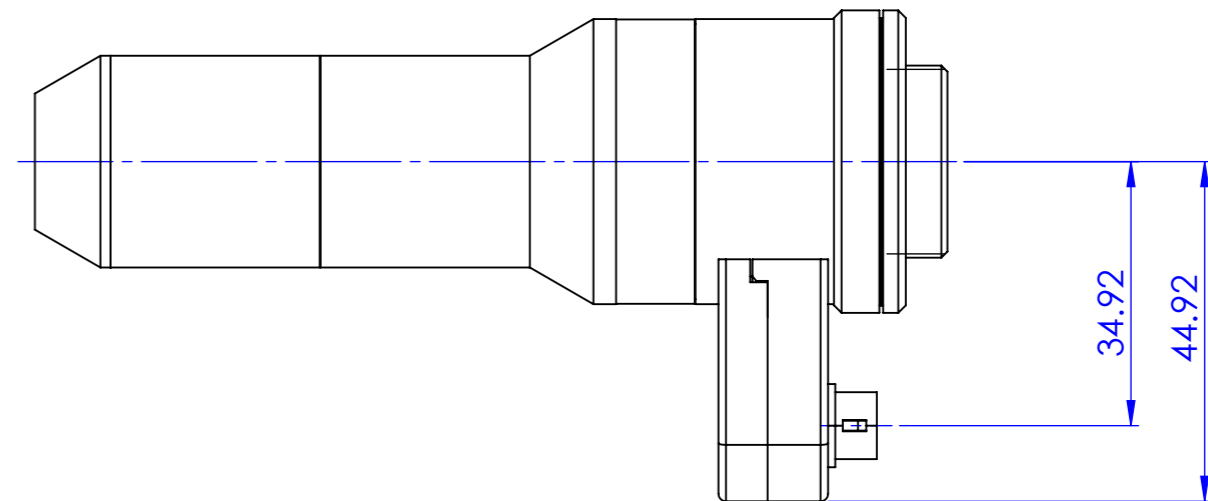
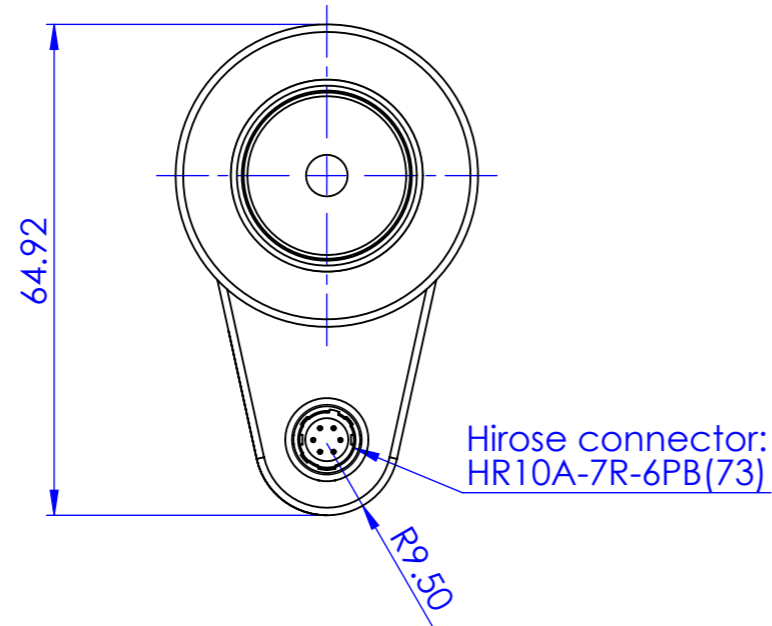
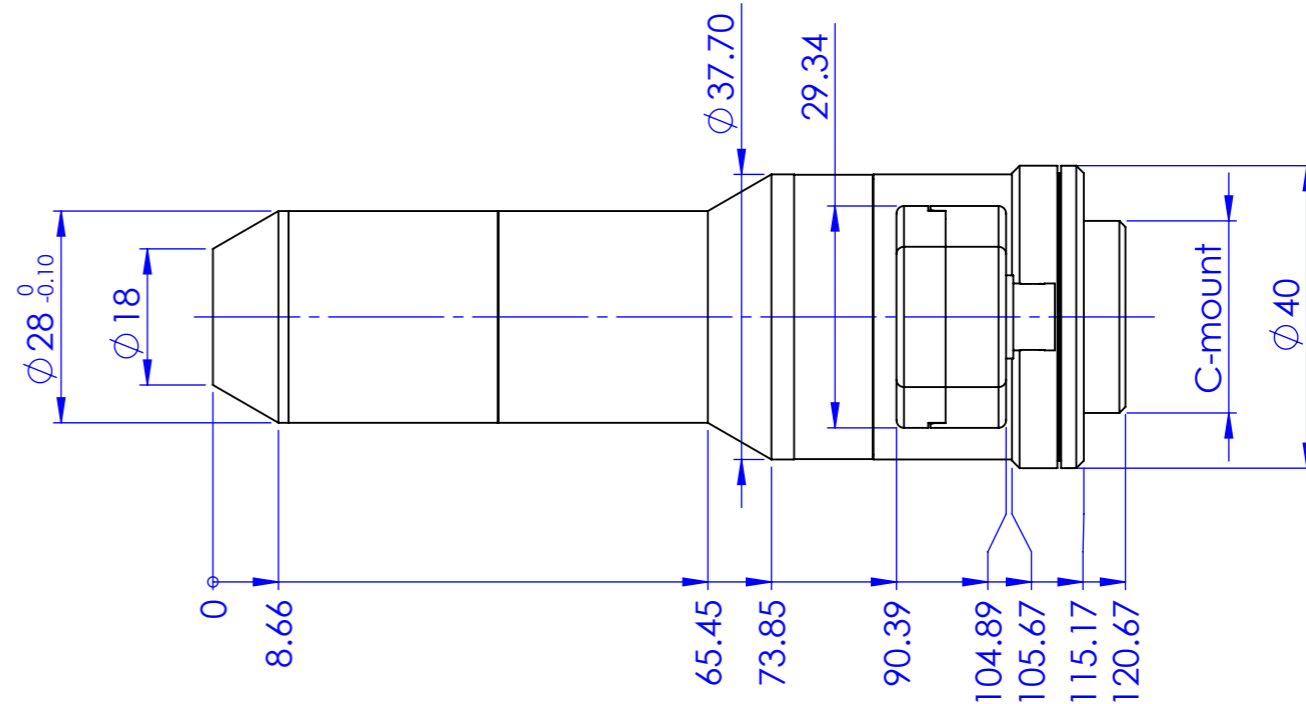
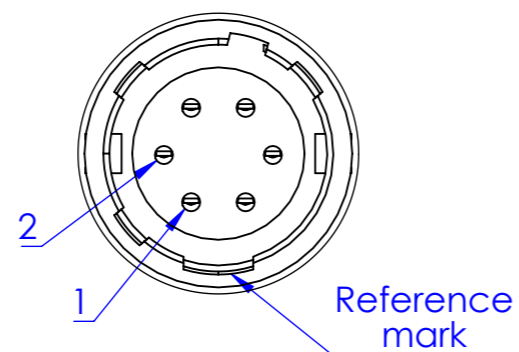


Electronic lens specifications	
Model	Optotune EL-3-10
Temperature sensor	no
Focal power mode	no
Response time	1 ms
Setting time	4 ms
Lifecycles (10%-90% sinusoidal)	> 1,000,000,000



Connector pinout	
Pin number	Signal
1	Lens + control pin
2	Lens - control pin
3	Not connected
4	Not connected
5	Not connected
6	Not connected



Material		N.A.		Mass		264 g		Scale		1:1	
Surface treatment		N.A.		Part No.		CO29856					
Geometrical tolerance (ISO 2768-2)				Class		K		Undimensioned bevels		0.5x45°	
Linear tolerance (ISO 2768-2)				Class		m		Undimensioned radii		R 0.5	
0.5 ±3		>3÷ 6		>6÷ 30		>30÷ 120		>120 ±400		>400÷ 1000	
±0.1		±0.1		±0.2		±0.3		±0.5		±0.8	
										±1.2	
										±2	
		Date		Name		Drawing No.		Sheet			
		Designed		21/01/2015		Rodella		DP 29856-D		1/1	
		Drawn		10/03/2020		Vasconetto					
		Checked		11/03/2020		Bertolucci		<i>Secret and confidential - All rights reserved - No copy, dissemination or circulation is allowed unless specifically authorized in writing by OPTO ENGINEERING S.r.l. - Any violation shall be legally prosecuted.</i>			
OPTO ENGINEERING S.r.l. - Mantova, Italy - Tel. +39 0376699111 - www.opto-e.com											

all dimensions are in mm