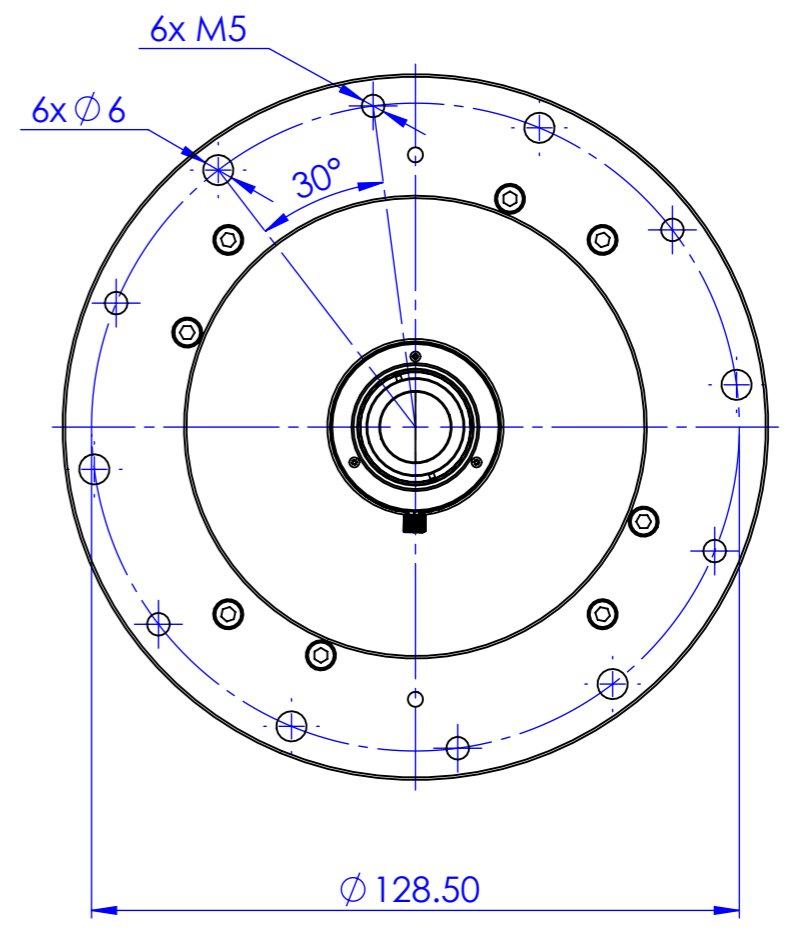
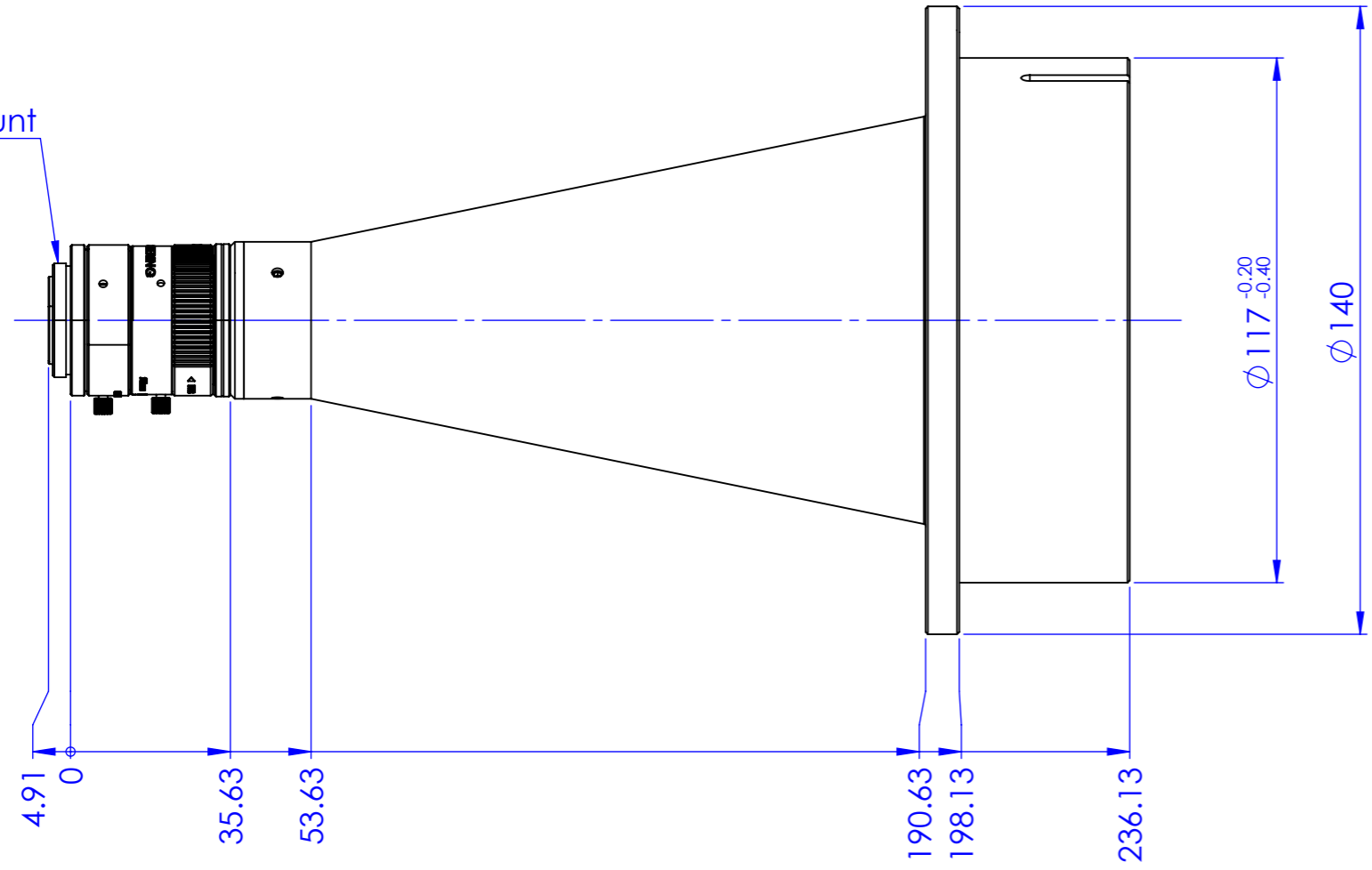


C-mount



Material		N.A.		Mass		914 g		Scale		1:1.5			
Surface treatment		N.A.		Part No.		CO71173							
Geometrical tolerance (ISO 2768-2)								Class		K		Description	
Linear tolerance (ISO 2768-2)								Class		m		Undimensioned bevels	
0.5 ±3								>3÷ 6		>6÷ 30		0.5x45°	
>30÷ 120								>120 ±400		>400÷ 1000		R 0.5	
>1000 ±2000								>2000 ±4000		Undimensioned radii		R 0.5	
±0.1								±0.1		±0.2		±0.3	
±0.5								±0.8		±1.2		±2	
<p>OPTO ENGINEERING</p>		Date		Name		Drawing No.		Sheet					
		Designed		26/02/2015		Bna		DP 71173-A		1/1			
		Drawn		13/12/2021		Ogrimaldo		<i>Secret and confidential - All rights reserved - No copy, dissemination or circulation is allowed unless specifically authorized in writing by OPTO ENGINEERING S.r.l. - Any violation shall be legally prosecuted.</i>					
		Checked		22/12/2021		Rizzotto							
OPTO ENGINEERING S.r.l. - Mantova, Italy - Tel. +39 0376699111 - www.opto-e.com													

all dimensions are in mm