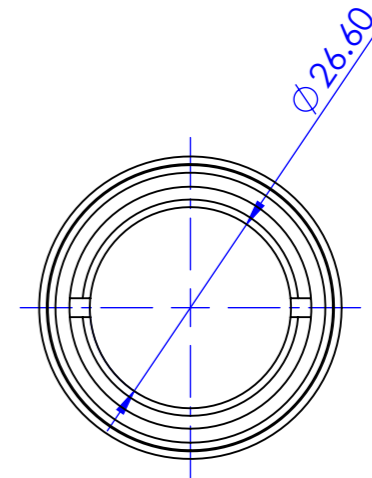
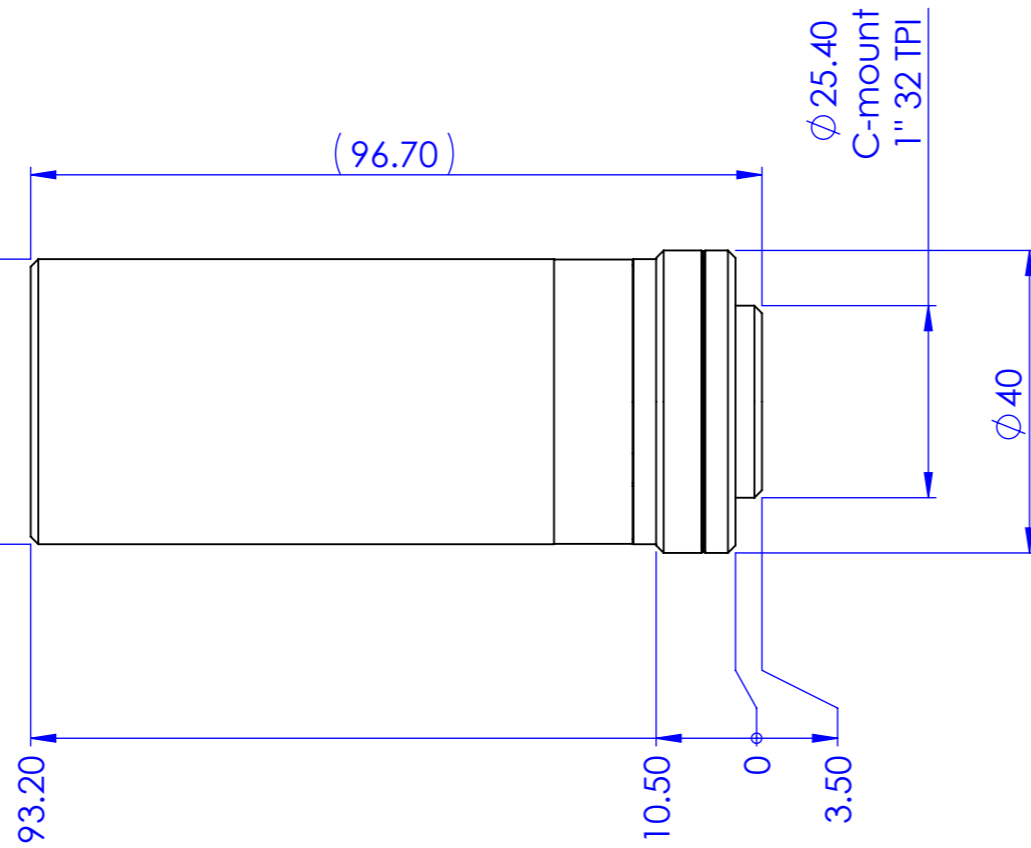


$\phi 37.70 \text{ h}8 \text{ } ^0_{-0.04}$
Clamping diameter



| | | | | | | | | | | | | | |
|---|------|----------|------|----------|------|-------------|-------|-------|----|----------------------|------|---------|-------|
| Material | | N.A. | | Mass | | 254 g | | Scale | | 1:1 | | | |
| Surface treatment | | N.A. | | Part No. | | CO01851 | | | | | | | |
| Geometrical tolerance (ISO 2768-2) | | | | | | | | Class | K | Undimensioned bevels | | 0.5x45° | |
| Linear tolerance (ISO 2768-2) | | | | | | | | Class | m | Undimensioned radii | | R 0.5 | |
| 0.5 | >3÷ | >6÷ | >30÷ | >120 | >400 | >1000 | >2000 | ±3 | ±6 | ±30 | ±120 | ±400 | ±1000 |
| ±0.1 | ±0.1 | ±0.2 | ±0.3 | ±0.5 | ±0.8 | ±1.2 | ±2 | | | | | | |
| <p>OPTO ENGINEERING</p> | | Date | | Name | | Drawing No. | | Sheet | | | | | |
| | | Designed | | Santini | | DP 01851-B | | 1/1 | | | | | |
| | | Drawn | | Rodella | | | | | | | | | |
| Checked | | | | | | | | | | | | | |
| <p>all dimensions are in mm</p> <p>OPTO ENGINEERING S.r.l. - Mantova, Italy - Tel. +39 0376699111 - www.opto-e.com</p> | | | | | | | | | | | | | |
| <p>Secret and confidential - All rights reserved - No copy, dissemination or circulation is allowed unless specifically authorized in writing by OPTO ENGINEERING S.r.l. - Any violation shall be legally prosecuted.</p> | | | | | | | | | | | | | |