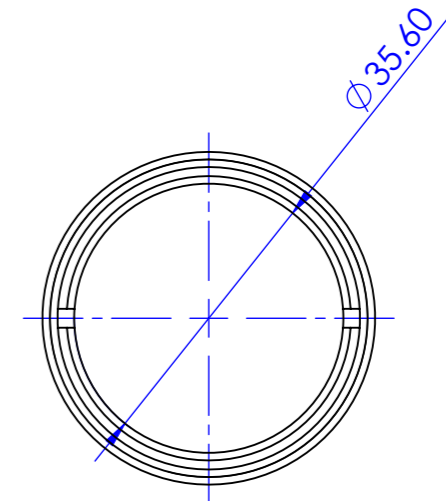
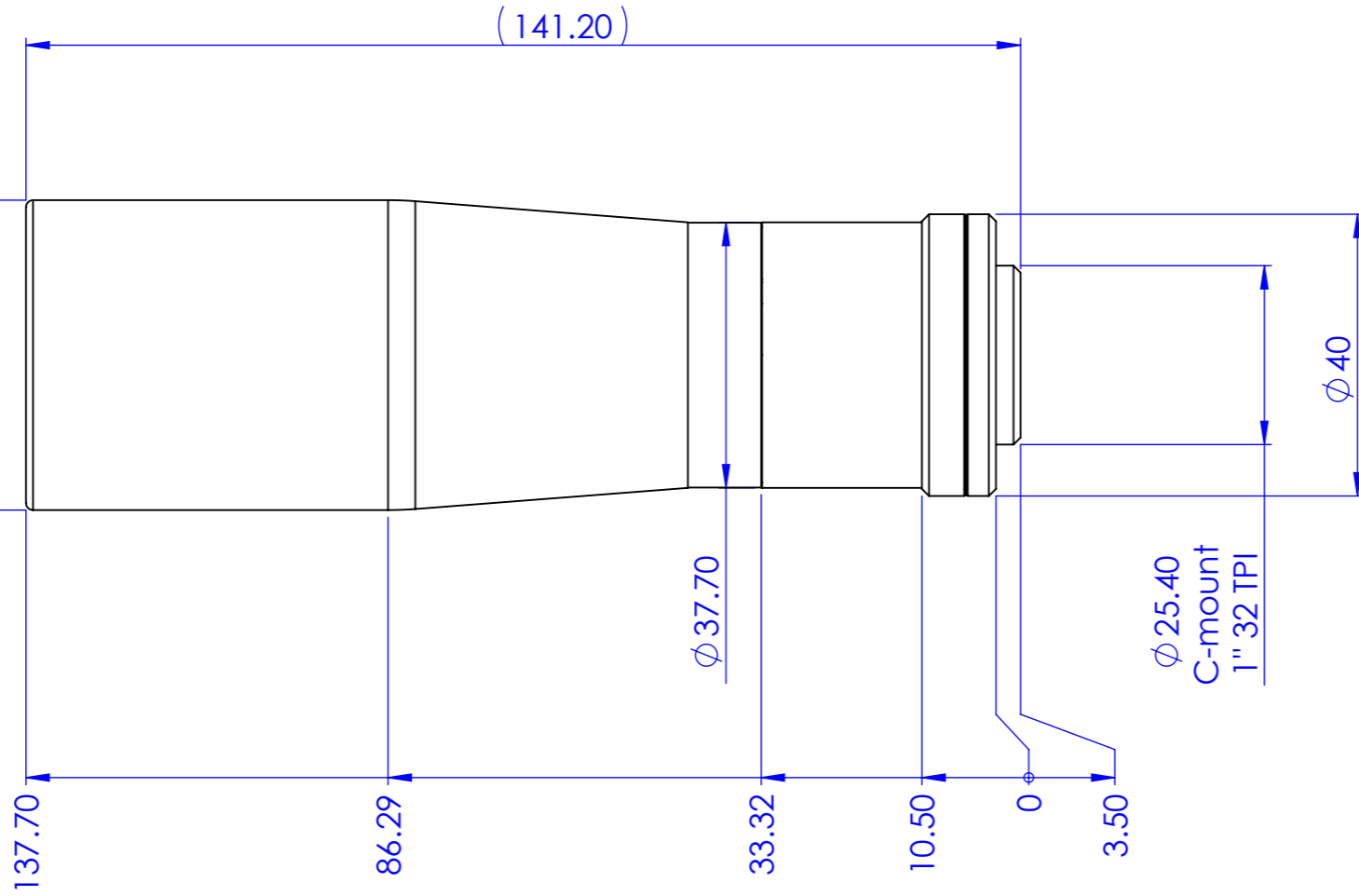


$\varnothing 44 \text{ h8 } -0.04$
Clamping diameter



Material		N.A.		Mass		389 g		Scale		1:1		
Surface treatment		N.A.		Part No.		CO01501						
Geometrical tolerance (ISO 2768-2)								Class	K	Undimensioned bevels		0.5x45°
Linear tolerance (ISO 2768-2)								Class	m	Undimensioned radii		R 0.5
0.5 ±3	>3÷ 6	>6÷ 30	>30÷ 120	>120 ±400	>400÷ 1000	>1000 ±2000	>2000 ±4000					
±0.1	±0.1	±0.2	±0.3	±0.5	±0.8	±1.2	±2					
		Date		Name		Drawing No.		Sheet				
		Designed 20/03/2014		Santini		DP 01501-B		1/1				
		Drawn 05/03/2015		Rodella								
Checked						<i>Secret and confidential - All rights reserved - No copy, dissemination or circulation is allowed unless specifically authorized in writing by OPTO ENGINEERING S.r.l. - Any violation shall be legally prosecuted.</i>						
OPTO ENGINEERING S.r.l. - Mantova, Italy - Tel. +39 0376699111 - www.opto-e.com												

all dimensions are in mm

