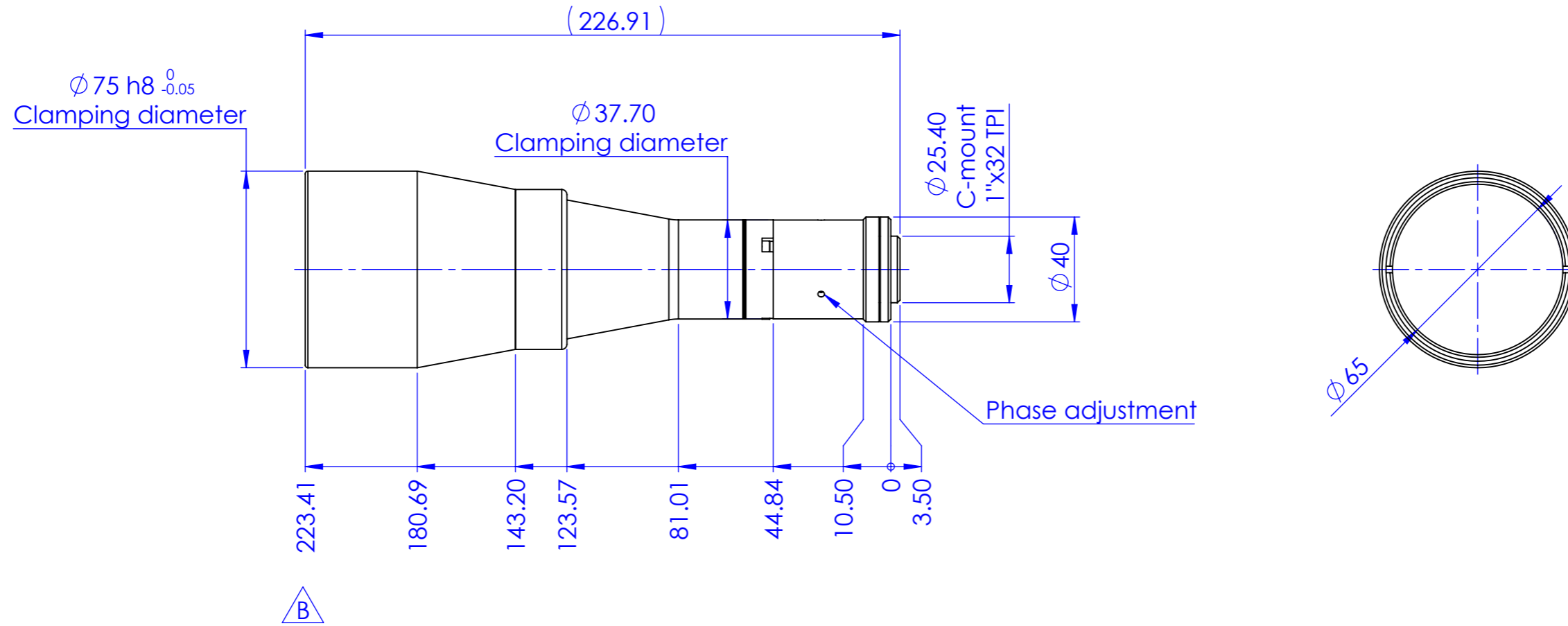


Rev.	Author	Description	Date	Approved by
B	Ccharly	Aggiornato lunghezza obiettivo	02/07/2019	Vasconetto
C	Vasconetto	Aggiornato indicazioni mount	03/09/2020	Vasconetto



Material	N.A.		Mass	717 g	Scale	1:2
Surface treatment	N.A.		Part No.	CO26378		
Geometrical tolerance (ISO 2768-2)	Class	K	Undimensioned bevels	0.5x45°	Description	
Linear tolerance (ISO 2768-2)	Class	m	Undimensioned radii	R 0.5	TC3MHR048-C	
0.5 ±3	>3÷ 6	>6÷ 30	>30÷ 120	>120 ±400	>400± 1000	>1000 ±2000
±0.1	±0.1	±0.2	±0.3	±0.5	±0.8	±1.2
			Date	Name	Drawing No.	
			Designed	29/08/2017	Rodella	DP 26378-C
			Drawn	04/07/2018	Vasconetto	
			Checked			
			Date: 29/08/2017 Name: Rodella		Drawing No.: DP 26378-C Sheet: 1/1	
all dimensions are in mm OPTO ENGINEERING S.r.l. - Mantova Italy - Tel. +39 0376 699111 - www.opto-engineering.com						
Secret and confidential - All rights reserved - No copy, dissemination or circulation is allowed unless specifically authorized in writing by OPTO ENGINEERING S.r.l. - Any violation shall be legally prosecuted.						