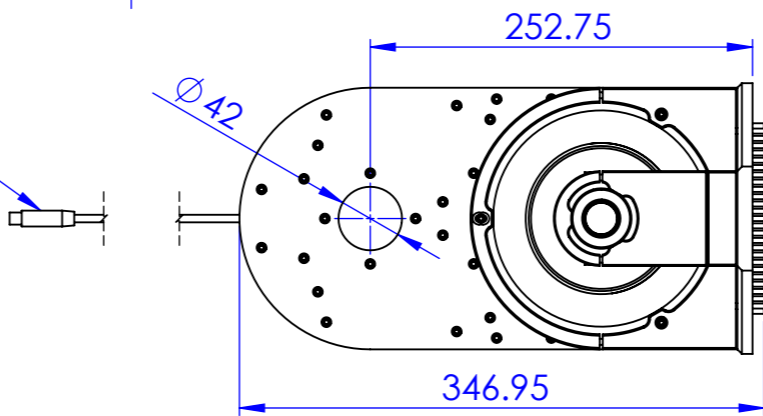


Cable length
258 mm



Material		N.A.		Mass		6963 g		Scale		1:5		
Surface treatment		N.A.		Part No.		CO30036						
Geometrical tolerance (ISO 2768-2)								Class		K		Description
Linear tolerance (ISO 2768-2)								Class		m		
0.5	>3±	>6±	>30±	>120	>400±	>1000	>2000	Undimensioned bevels		0.5x45°		
±3	6	30	120	±400	±1000	±2000	±4000	Undimensioned radii		R 0.5		
±0.1	±0.1	±0.2	±0.3	±0.5	±0.8	±1.2	±2	Date		Name		
		Designed		19/03/2014		Vasconetto		Drawing No.		Sheet		
		Drawn		26/05/2020		Rodella		DP 30036-B		1/1		
		Checked		26/06/2020		Vasconetto		<i>Secret and confidential - All rights reserved - No copy, dissemination or circulation is allowed unless specifically authorized in writing by OPTO ENGINEERING S.r.l. - Any violation shall be legally prosecuted.</i>				
OPTO ENGINEERING S.r.l. - Mantova, Italy - Tel. +39 0376699111 - www.opto-e.com												

all dimensions are in mm