

1 2 3 4 5 6 7 8

D

C

B

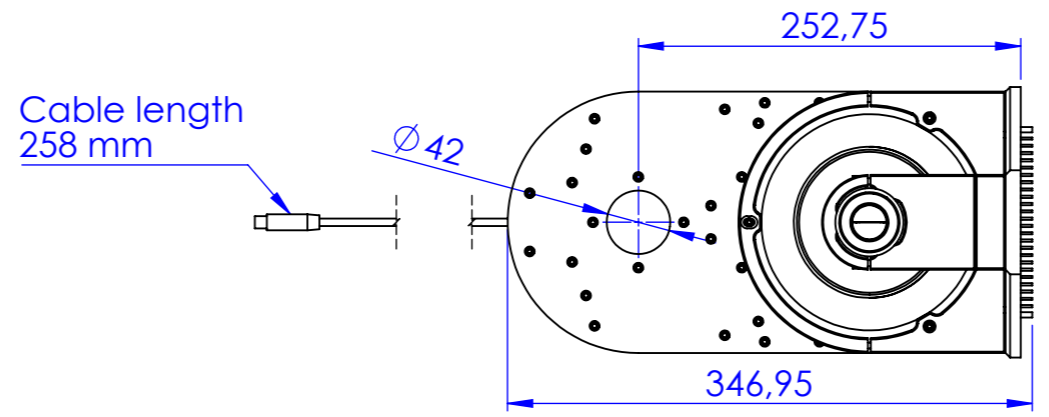
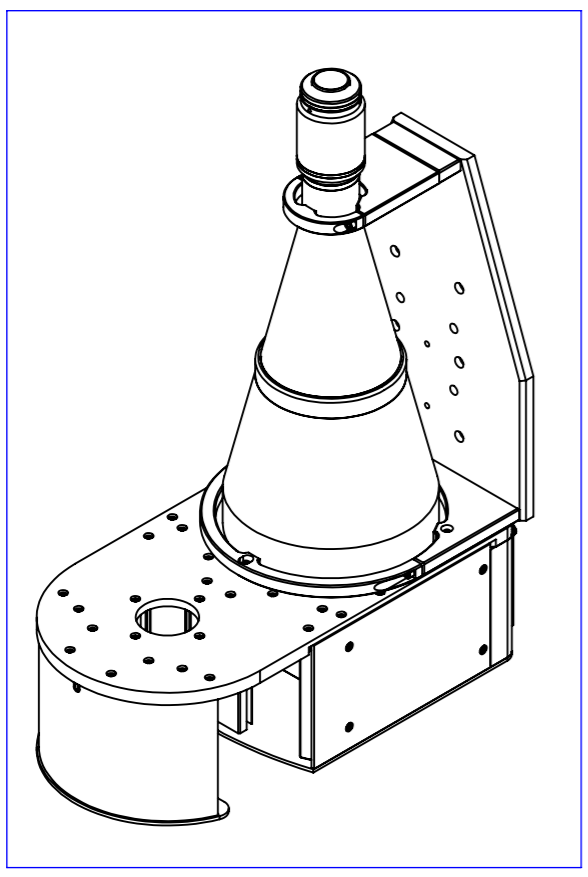
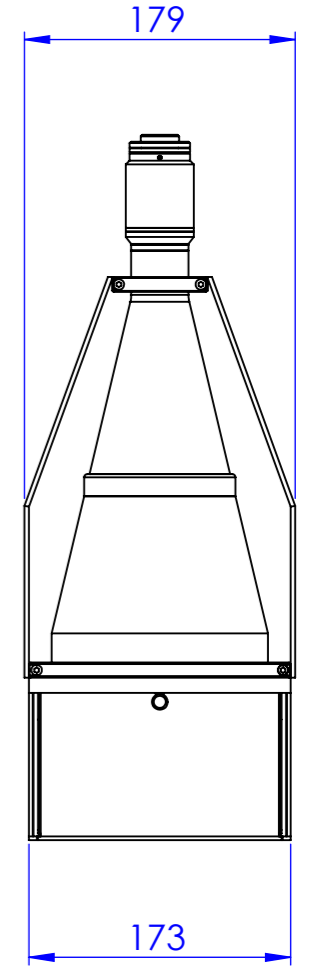
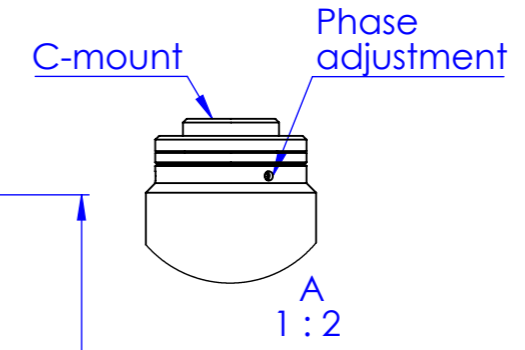
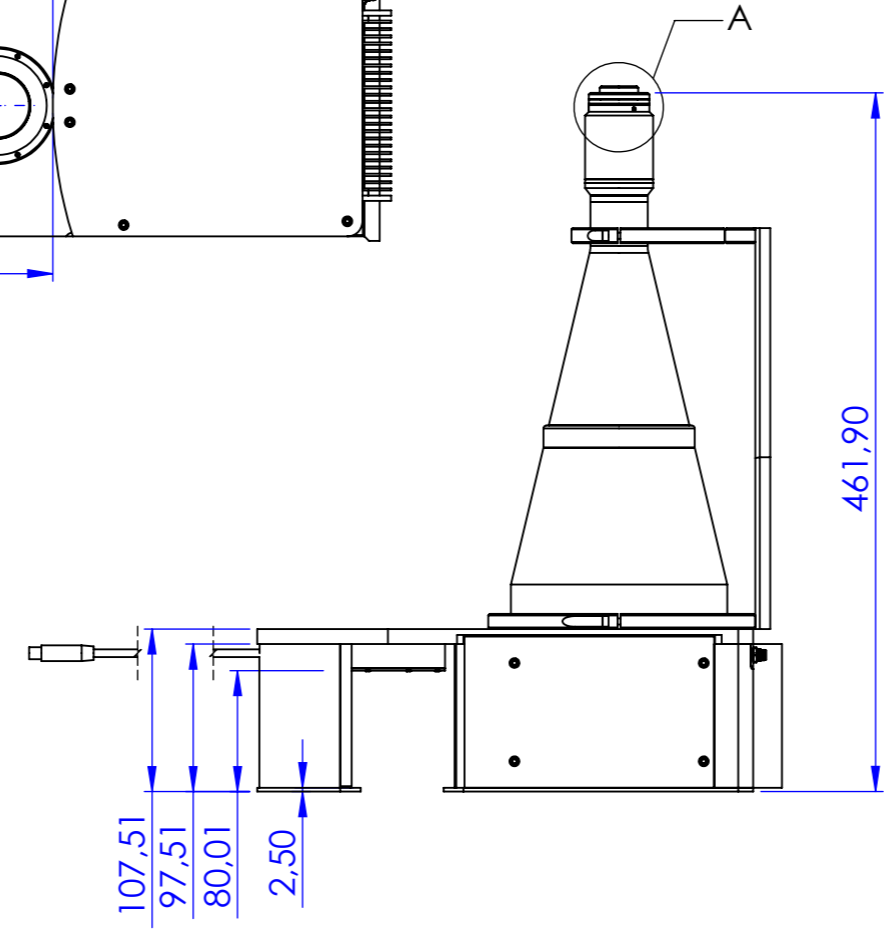
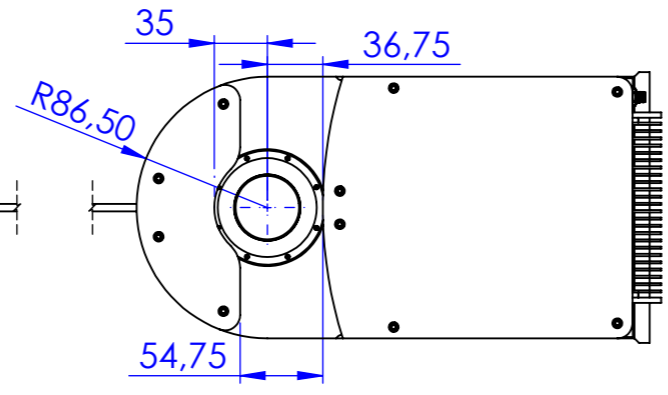
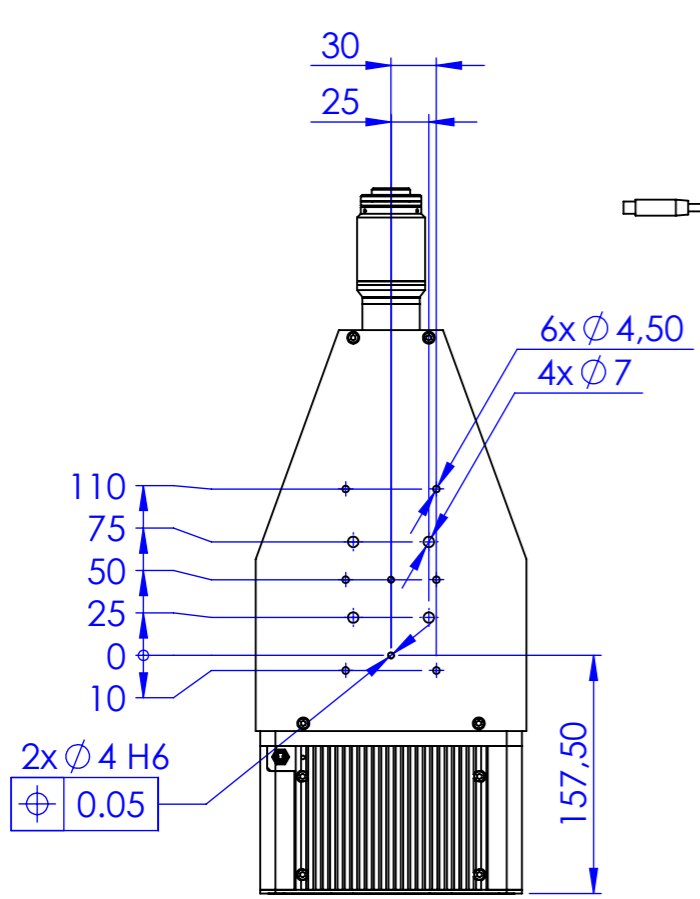
A

D

C

B

A



Material		N.A.		Mass		7005 g		Scale		1:5							
Surface treatment		N.A.		Part No.		CO30048											
Geometrical tolerance (ISO 2768-2)								Class		K		Description					
Linear tolerance (ISO 2768-2)								Class		m		Undimensioned bevels		0,5x45°			
0,5 ±3		>3± 6		>6± 30		>30± 120		>120 ±400		>400± 1000		>1000 ±2000		>2000 ±4000			
±0,1		±0,1		±0,2		±0,3		±0,5		±0,8		±1,2		±2			
<p>OPTO ENGINEERING</p>								Date		Name		Drawing No.		Sheet			
								Designed		19/03/2014		Vasconetto		DP 30048-C		1/1	
								Drawn		29/05/2020		Rodella					
Checked		26/06/2020		Vasconetto		Secret and confidential - All rights reserved - No copy, dissemination or circulation is allowed unless specifically authorized in writing by OPTO ENGINEERING S.r.l. - Any violation shall be legally prosecuted.											
OPTO ENGINEERING S.r.l. - Mantova, Italy - Tel. +39 0376699111 - www.opto-e.com																	

1 2 3 4 5 6 7 8

0 1 2 3 4 5 6 7 8 9 10