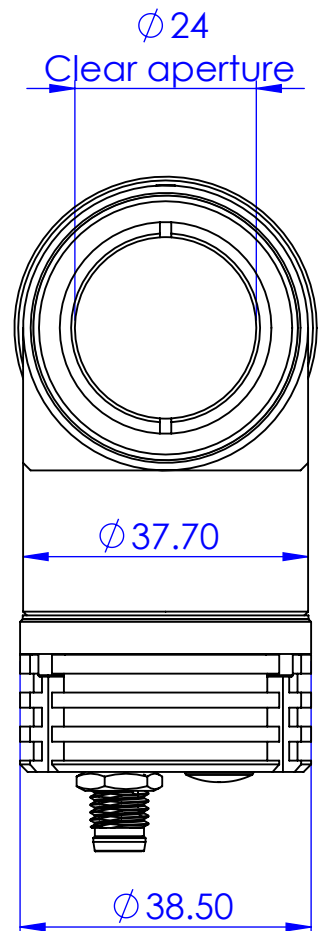
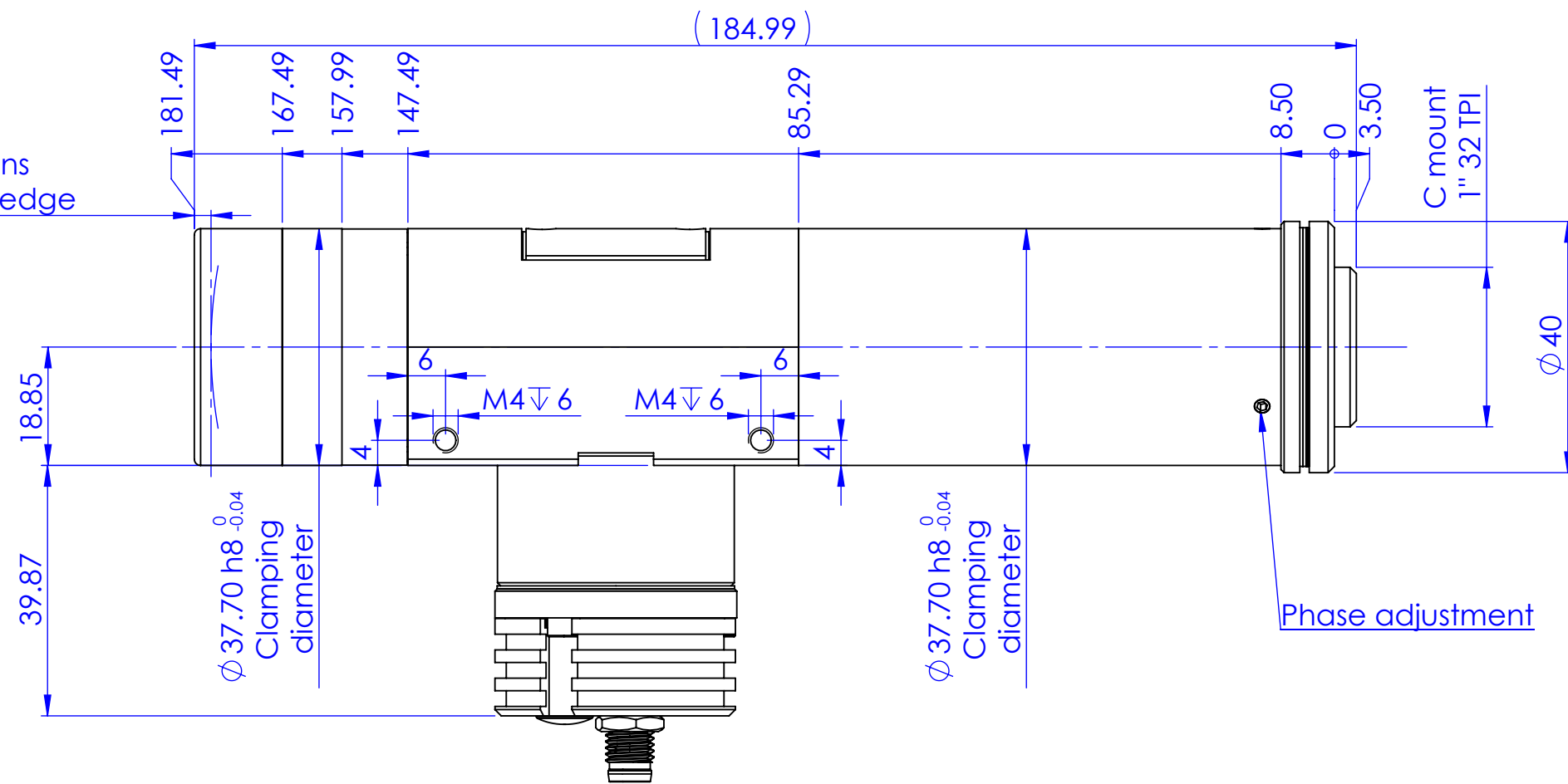


2.66
from lens
to chassis edge



Material		N.A.		Mass		594 g		Scale		1:1							
Surface treatment		N.A.		Part No.		CO23095											
Geometrical tolerance (ISO 2768-2)								Class		K							
Linear tolerance (ISO 2768-2)								Class		m							
0.5	>3	>6	>30	>120	>400	>1000	>2000	Undimensioned bevels	0.5x45°								
±3	6	30	120	±400	±1000	±2000	±4000	Undimensioned radii	R 0.5								
±0.1	±0.1	±0.2	±0.3	±0.5	±0.8	±1.2	±2										
<p>OPTO ENGINEERING S.r.l. - Mantova, Italy - Tel. +39 0376699111 - www.opto-e.com</p>								Date		Name		Drawing No.		Sheet			
								Designed		04/04/2014		Santini		DP 23095-B		1/1	
								Drawn		30/07/2014		Rodella					
								Checked				<i>Secret and confidential - All rights reserved - No copy, dissemination or circulation is allowed unless specifically authorized in writing by OPTO ENGINEERING S.r.l. - Any violation shall be legally prosecuted.</i>					

all dimensions are in mm