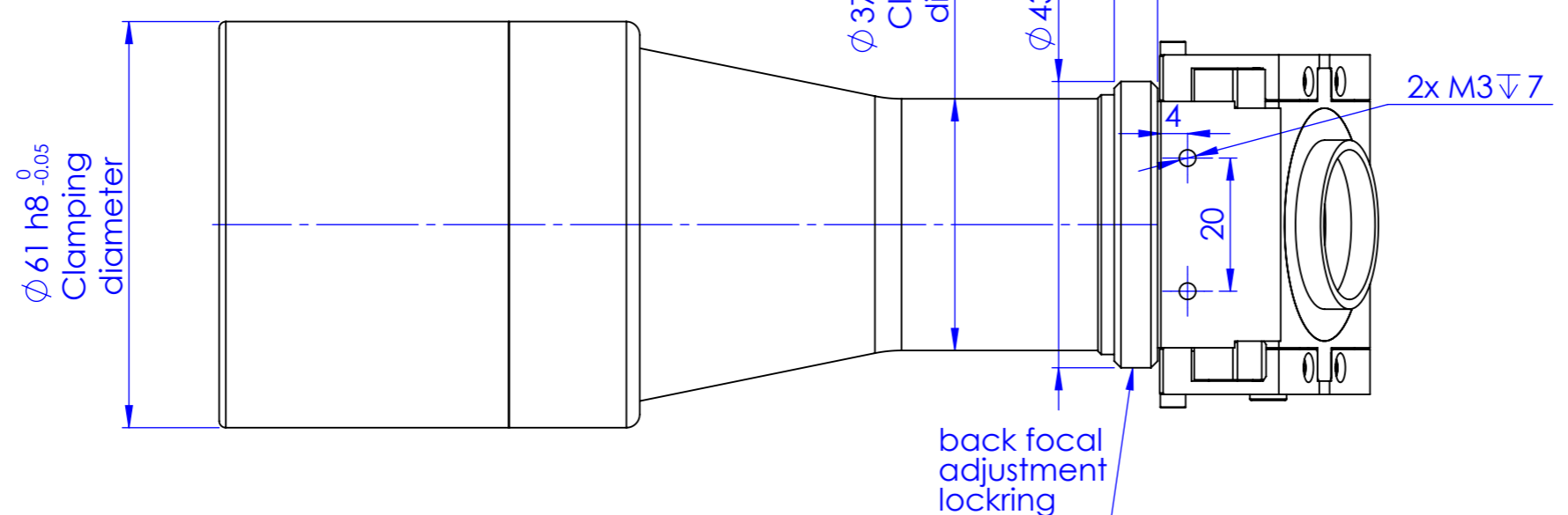
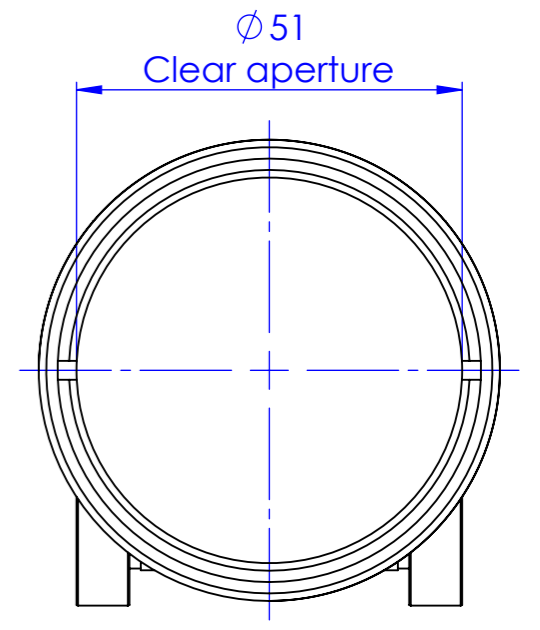
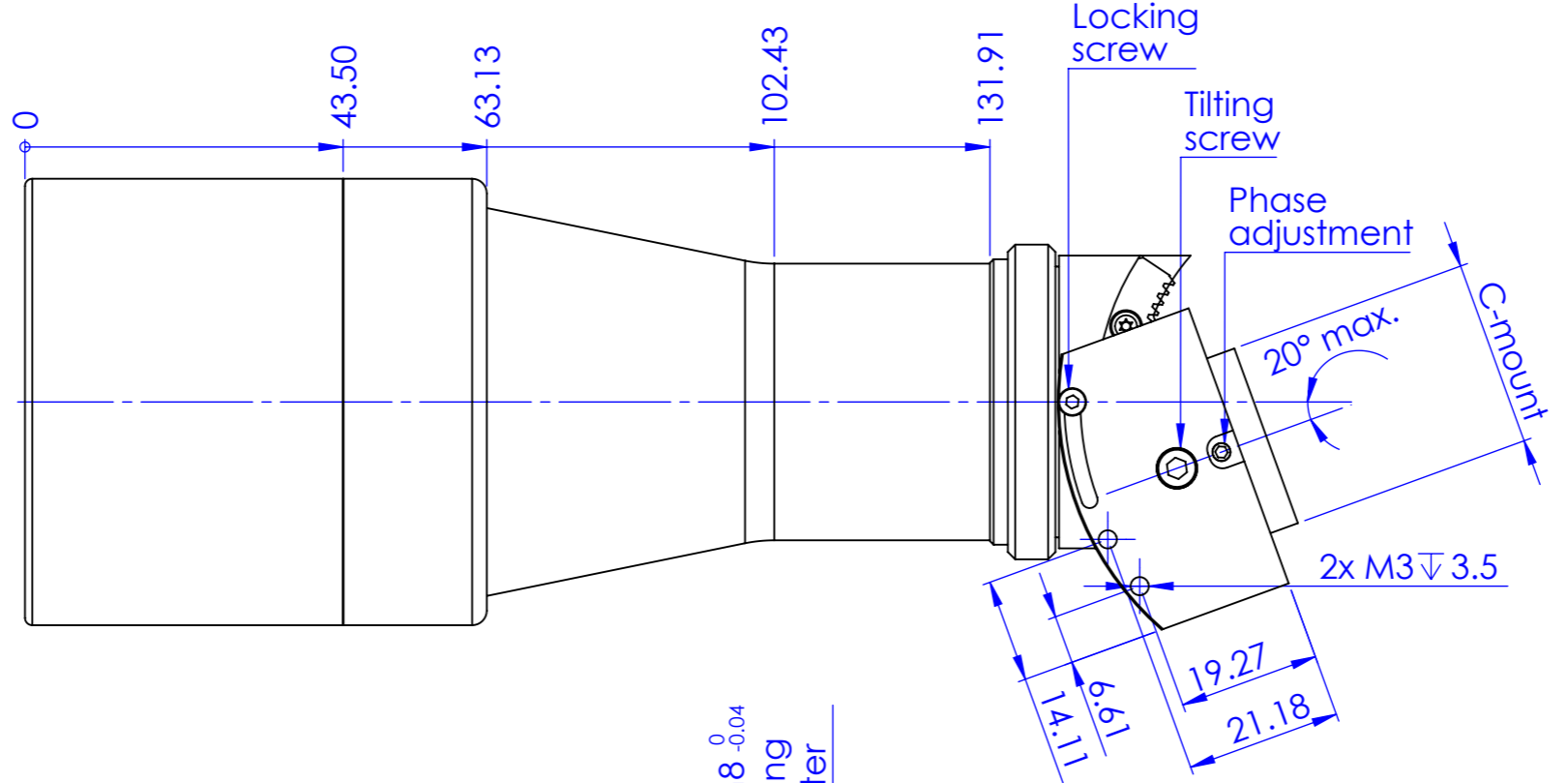
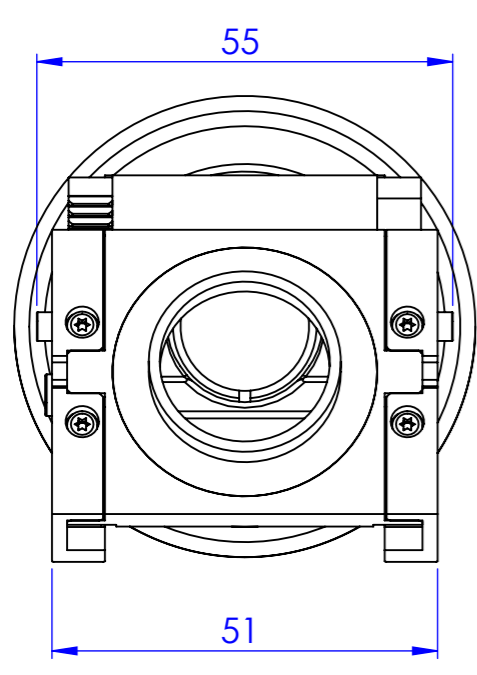


1 2 3 4 5 6 7 8



D  
C  
B  
A

D  
C  
B  
A

1 2 3 4 5 6 7 8

Material		N.A.		Mass		607 g		Scale		1:1	
Surface treatment				Part No.		CO50162					
Geometrical tolerance (ISO 2768-2)		Class		K		Undimensioned bevels		0.5x45°		Description	
Linear tolerance (ISO 2768-2)		Class		m		Undimensioned radii		R 0.5		TCSM036	
0.5 ±3	>3± 6	>6± 30	>30± 120	>120 ±400	>400± 1000	>1000 ±2000	>2000 ±4000			Drawing No.	
±0.1	±0.1	±0.2	±0.3	±0.5	±0.8	±1.2	±2			Sheet	
		Date		Name		Drawing No.		Sheet		<i>Secret and confidential - All rights reserved - No copy, dissemination or circulation is allowed unless specifically authorized in writing by OPTO ENGINEERING S.r.l. - Any violation shall be legally prosecuted.</i>	
		Designed		Rizzotto		DP 50162-A		1/1			
		Drawn		Rizzotto							
		Checked		Rizzotto							
OPTO ENGINEERING S.r.l. - Mantova, Italy - Tel. +39 0376699111 - www.opto-e.com											

all dimensions are in mm

0 1 2 3 4 5 6 7 8 9 10