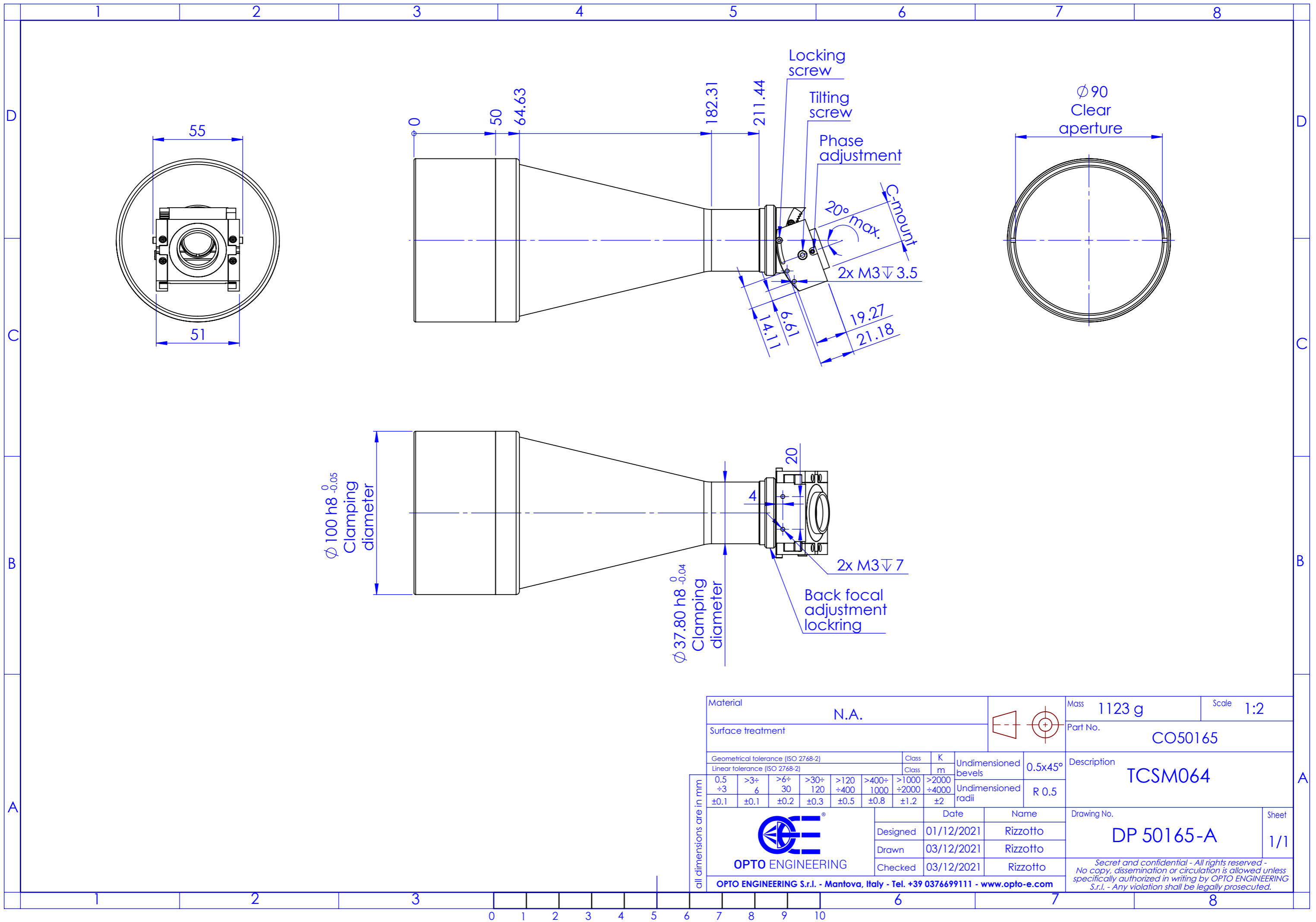


Material		N.A.		Mass		1123 g		Scale		1:2	
Surface treatment				Part No.		CO50165					
Geometrical tolerance (ISO 2768-2)		Class		K		Undimensioned bevels		0.5x45°			
Linear tolerance (ISO 2768-2)		Class		m		Undimensioned radii		R 0.5			
0.5		>3		>6		>30		>120		>400	
±3		±6		±30		±120		±400		±2000	
±0.1		±0.1		±0.2		±0.3		±0.5		±0.8	
		Date		Name		Drawing No.		Sheet			
		Designed		01/12/2021		Rizzotto		DP 50165-A		1/1	
		Drawn		03/12/2021		Rizzotto					
Checked		03/12/2021		Rizzotto		<i>Secret and confidential - All rights reserved - No copy, dissemination or circulation is allowed unless specifically authorized in writing by OPTO ENGINEERING S.r.l. - Any violation shall be legally prosecuted.</i>					
OPTO ENGINEERING S.r.l. - Mantova, Italy - Tel. +39 0376699111 - www.opto-e.com											



all dimensions are in mm