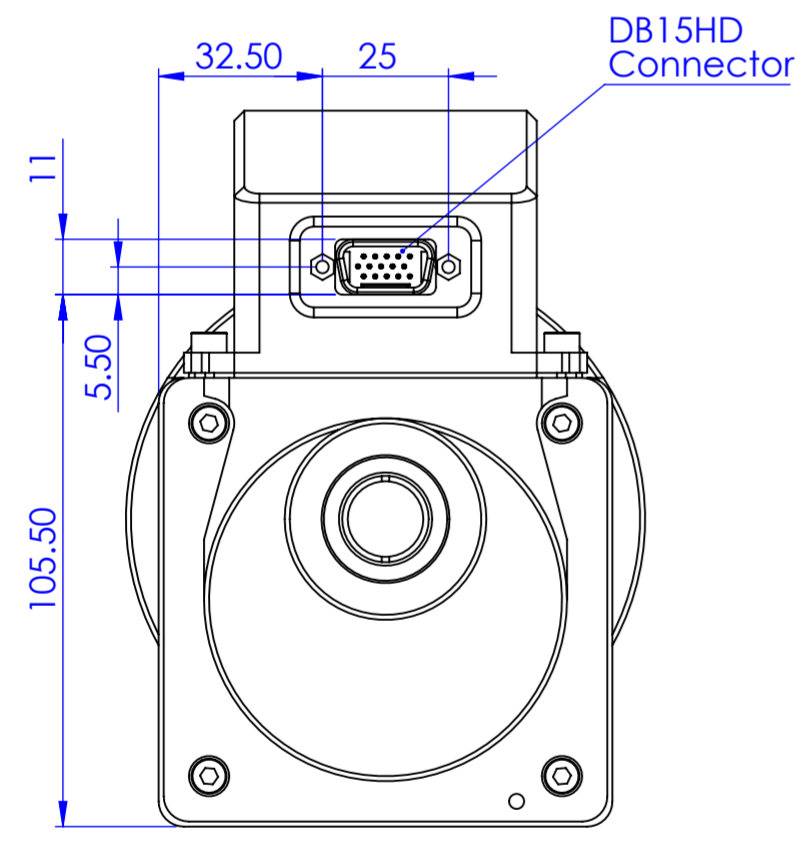
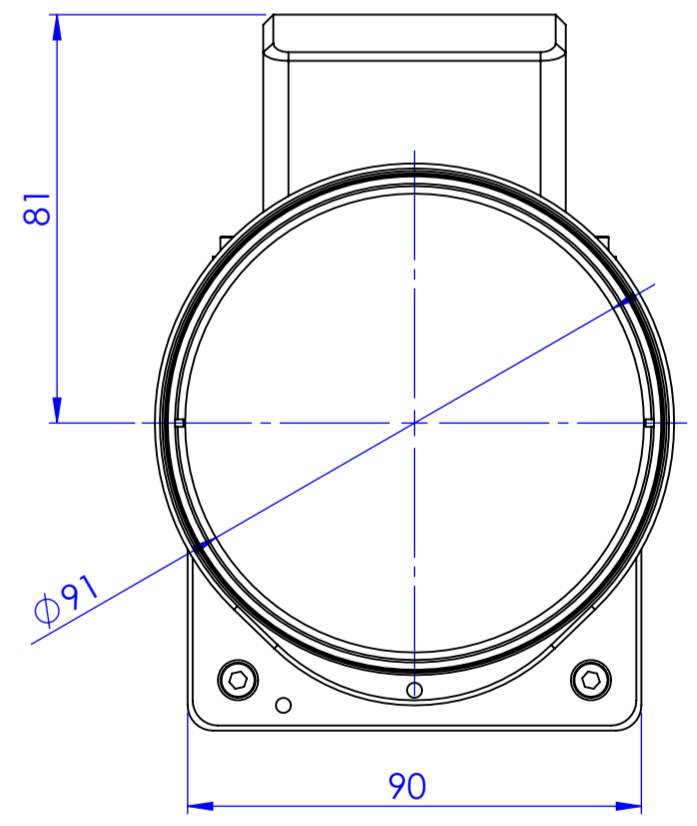
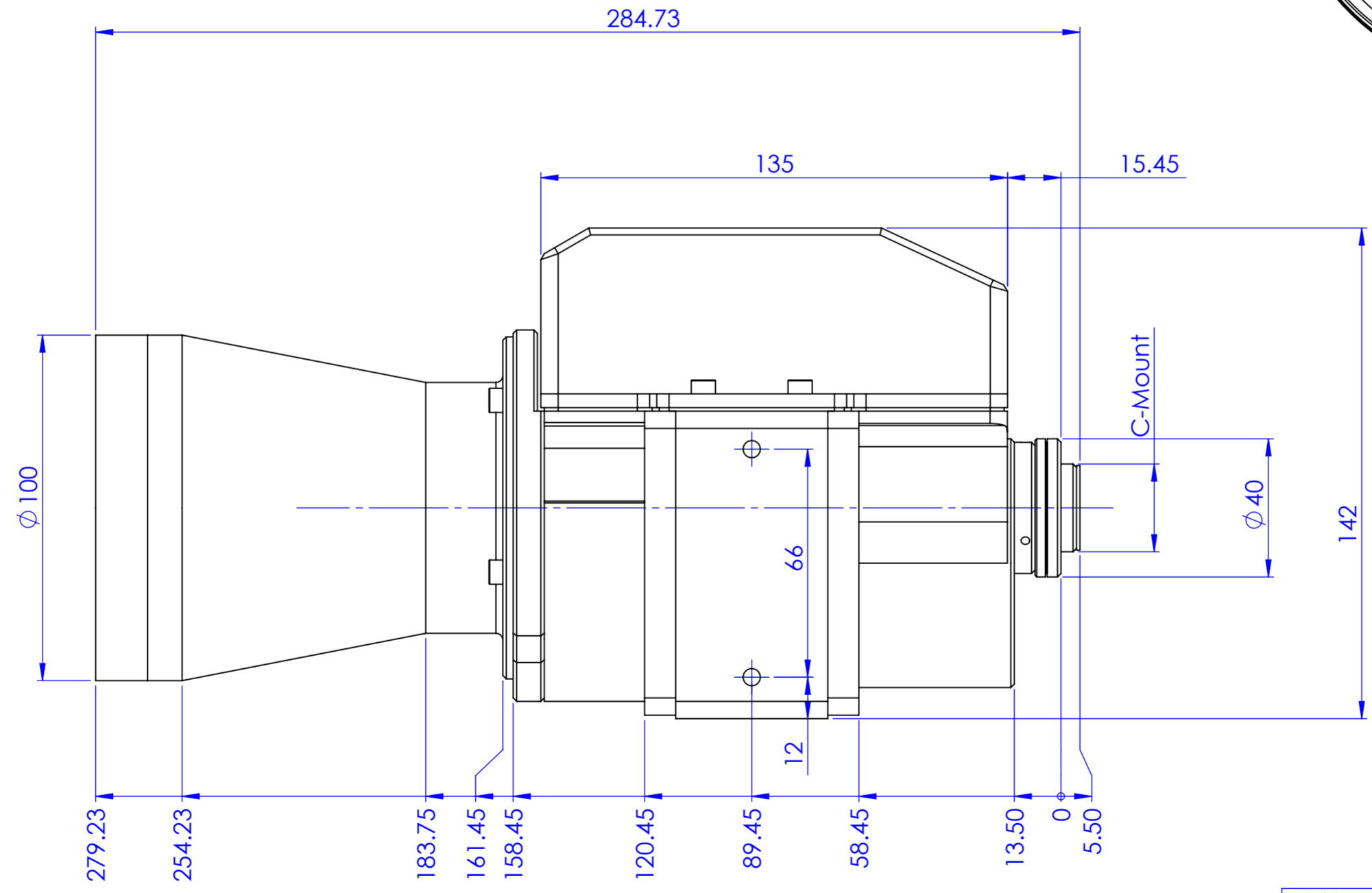
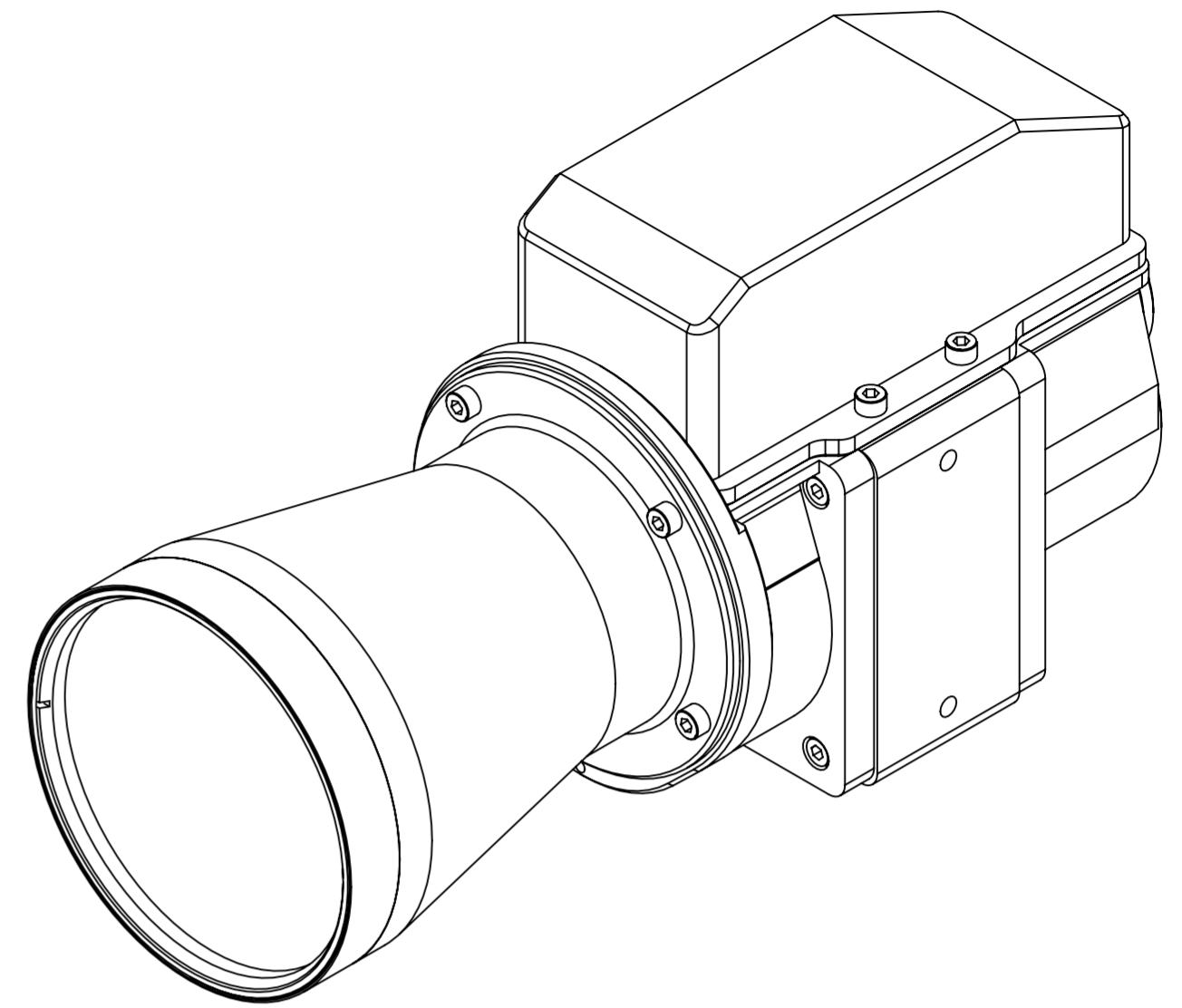
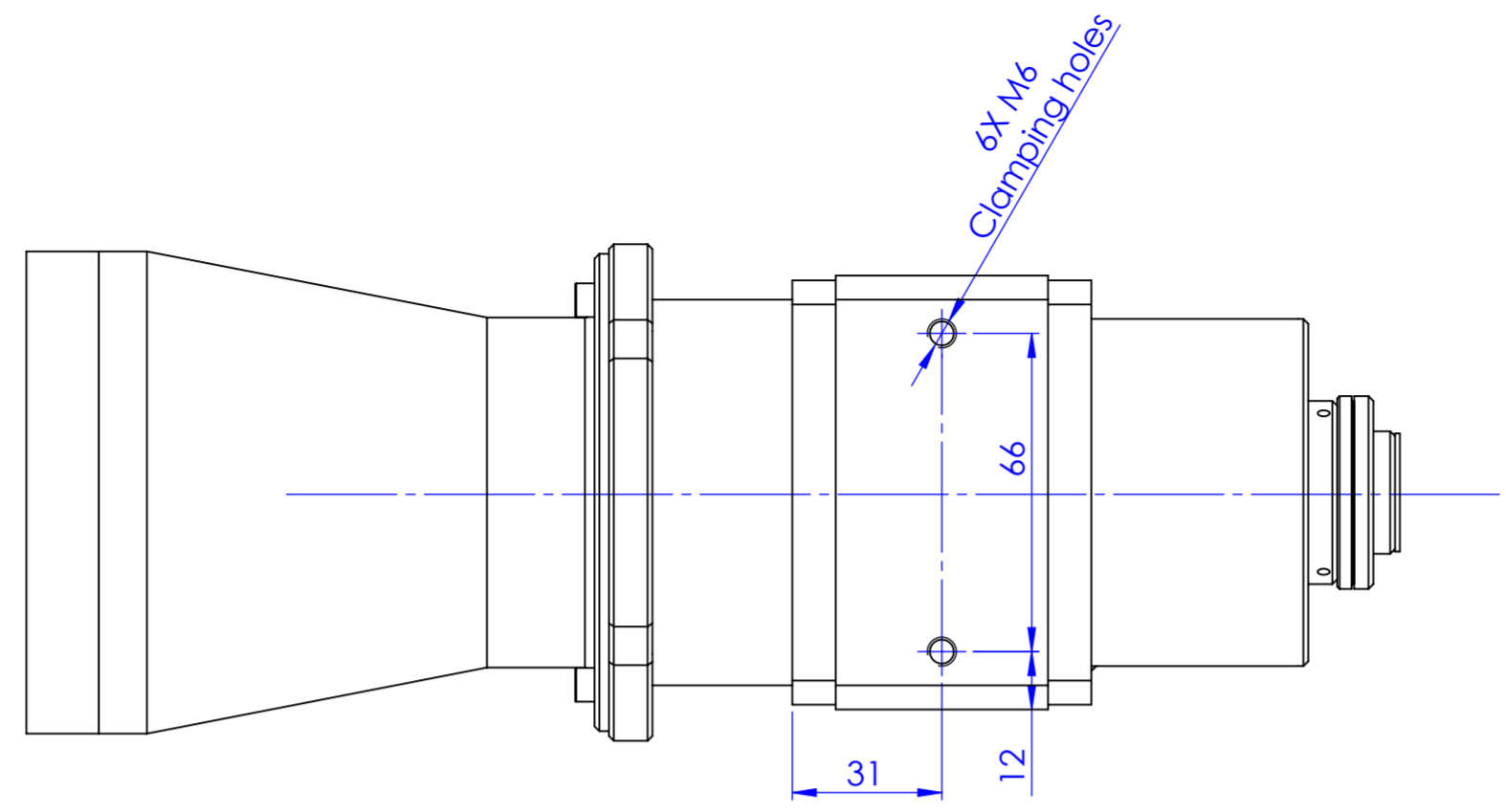


Rev No.	Description	Date	Name



Material	N.A.	Mass	2820 g	Scale	1:1.5					
Surface treatment		Part No.	CO27073							
Geometrical tolerance (ISO 2768-2)	Class	K	Undimensioned bevels	0.5x45°	Description					
Linear tolerance (ISO 2768-2)	Class	m	Undimensioned radii	R 0.5	TCZR072S					
0.5	>3+	>6+	>30+	>120	>400+	>1000	>2000	>4000		
+3	6	30	120	+400	1000	+2000	+4000			
±0.1	±0.1	±0.2	±0.3	±0.5	±0.8	±1.2	±2			
Designed		Date		Name						
20/08/2017		20/08/2017		Santini						
Drawn		Date		Name						
26/09/2018		26/09/2018		Ccharly						
Checked		Date		Name						
Drawing No.			Sheet							
DP 27073-			1/1							
<p>Secret and confidential - All rights reserved - No copy, dissemination or circulation is allowed unless specifically authorized in writing by OPTO ENGINEERING S.r.l. - Any violation shall be legally prosecuted.</p>										
<p>OPTO ENGINEERING S.r.l. - Mantova Italy - Tel. +39 0376 699111 - www.opto-engineering.com</p>										

all dimensions are in mm.