

4

3

2

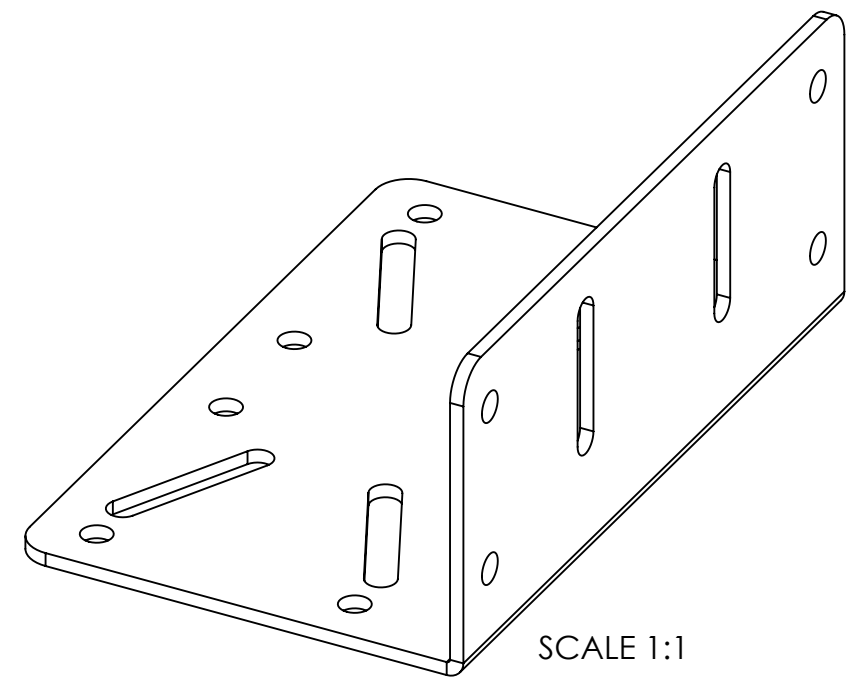
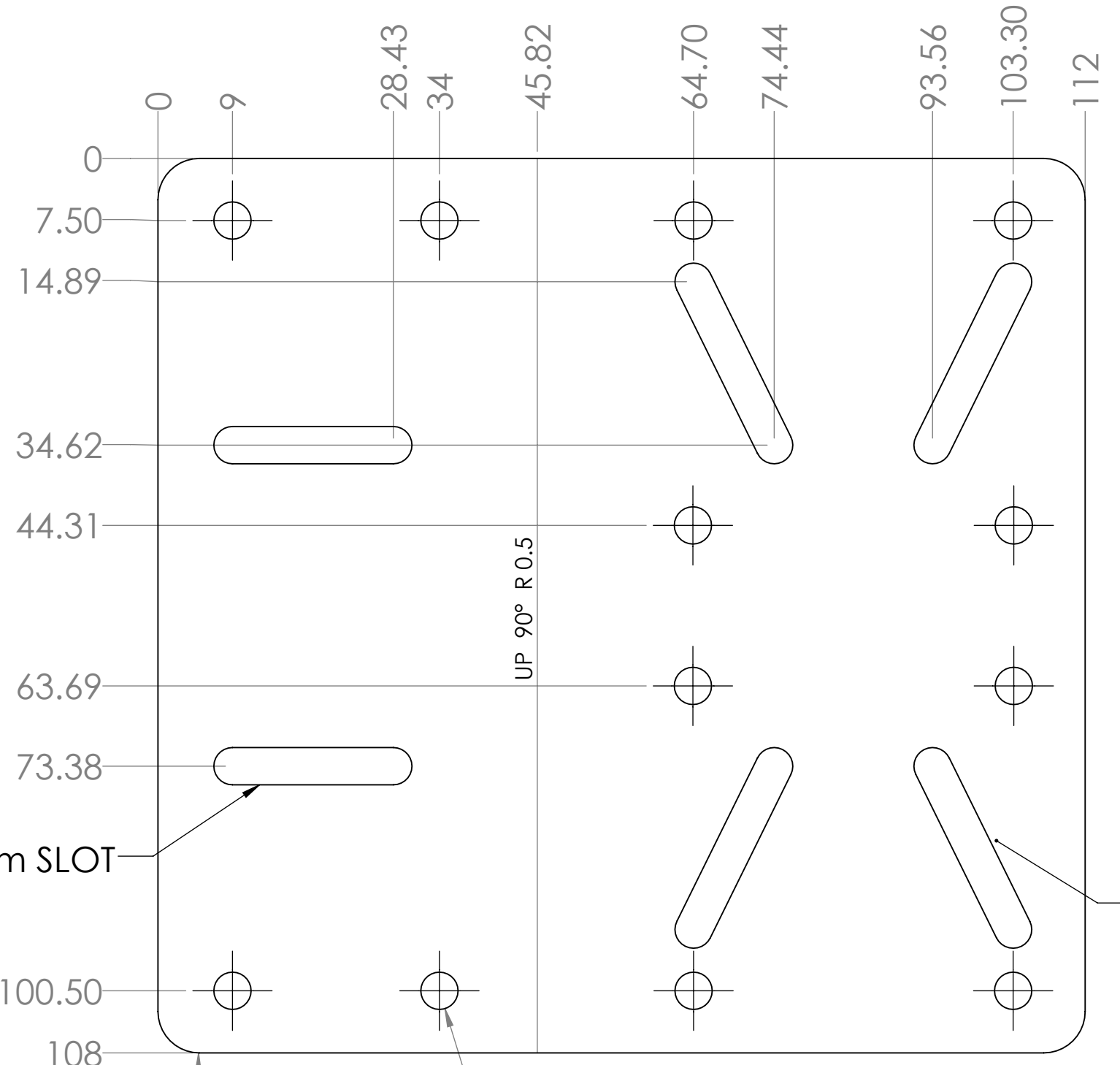
1

B

B

A

A



SCALE 1:1

2x 19.43mm SLOT

4x 22mm SLOT

4x R5

20X \varnothing 4.50 THRU ALL

UNLESS OTHERWISE SPECIFIED:		NAME	DATE
DIMENSIONS ARE IN MM		DRAWN	NC 6/23/2017
TOLERANCES:		CHECKED	MP 6/23/2017
FRACTIONAL \pm		ENG APPR.	MP 6/23/2017
ANGULAR: BEND \pm 3°		MFG APPR.	MP 6/23/2017
TWO PLACE DECIMAL \pm .05		Q.A.	
THREE PLACE DECIMAL \pm .050		COMMENTS:	
INTERPRET GEOMETRIC TOLERANCING PER:		UNITS ARE IN MILLIMETERS	
MATERIAL			
FINISH			
DO NOT SCALE DRAWING			

PROPRIETARY AND CONFIDENTIAL
 THE INFORMATION CONTAINED IN THIS DRAWING IS THE SOLE PROPERTY OF SmartVisionLights. ANY REPRODUCTION IN PART OR AS A WHOLE WITHOUT THE WRITTEN PERMISSION OF SmartVisionLights IS PROHIBITED.



TITLE:		
BKT0004		
SIZE	DWG. NO.	REV
B	CM_Universal Adapter_R2	2
SCALE: 3:2	WEIGHT:	SHEET 1 OF 1