

4

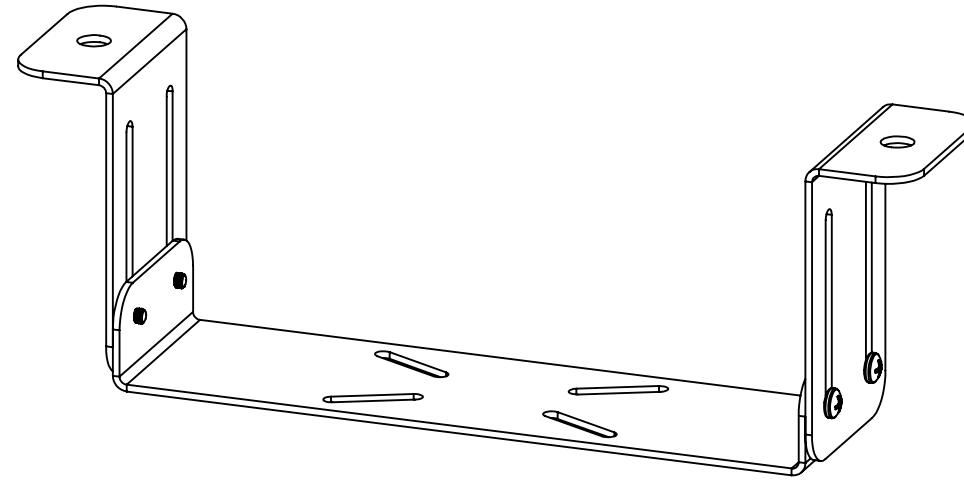
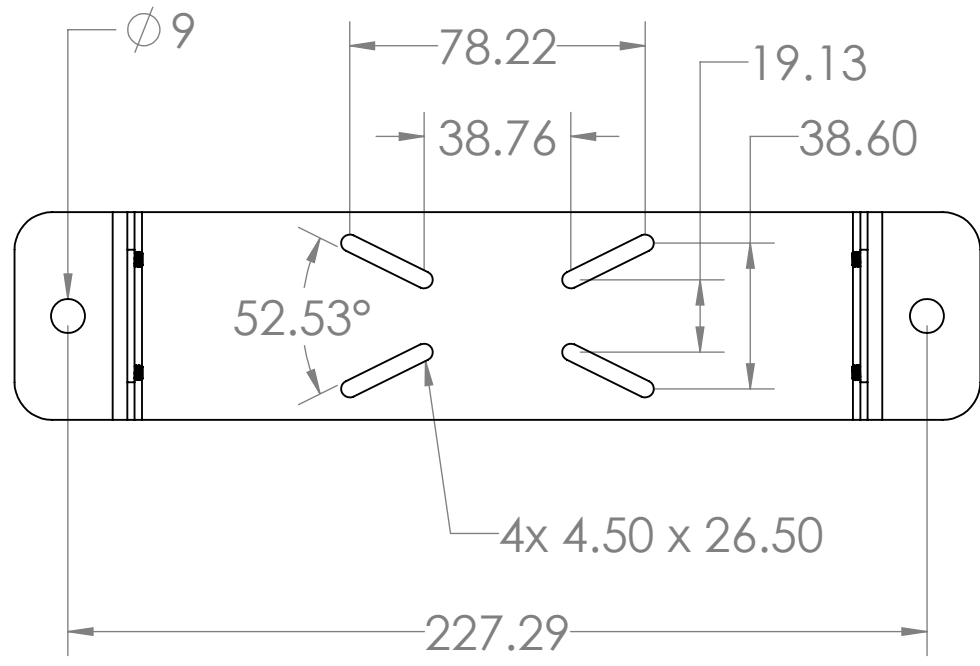
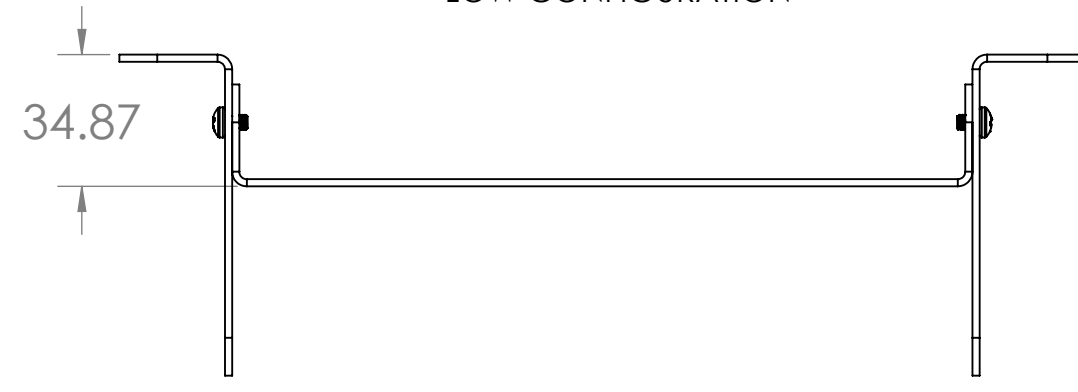
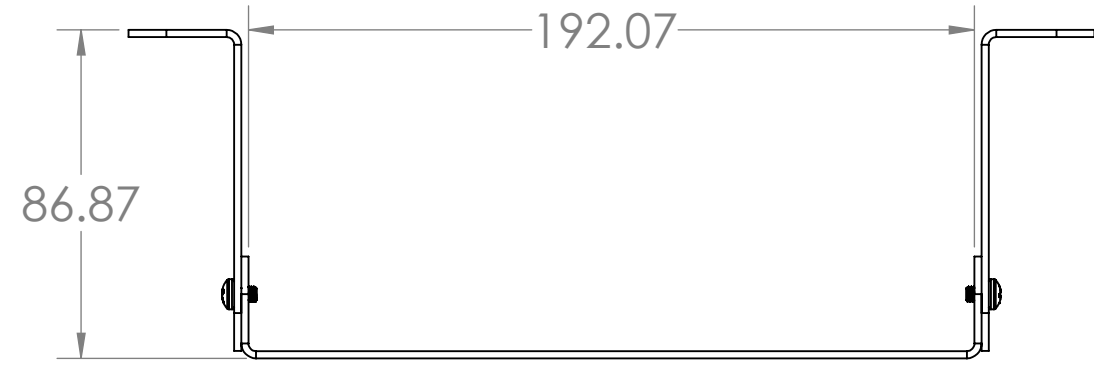
3

2

1

HIGH CONFIGURATION

LOW CONFIGURATION



PROPRIETARY AND CONFIDENTIAL
 THE INFORMATION CONTAINED IN THIS DRAWING IS THE SOLE PROPERTY OF SmartVisionLights. ANY REPRODUCTION IN PART OR AS A WHOLE WITHOUT THE WRITTEN PERMISSION OF SmartVisionLights IS PROHIBITED.

UNLESS OTHERWISE SPECIFIED:		NAME	DATE
DIMENSIONS ARE IN MM		DRAWN	ASU 11/13/15
TOLERANCES:		CHECKED	MP 11/13/15
FRACTIONAL ±		ENG APPR.	MP 11/13/15
ANGULAR: MACH ± BEND ±		MFG APPR.	MP 11/13/15
TWO PLACE DECIMAL ±		Q.A.	
THREE PLACE DECIMAL ±		COMMENTS:	
INTERPRET GEOMETRIC TOLERANCING PER:		UNITS ARE IN MILLIMETERS	
MATERIAL			
FINISH			
DO NOT SCALE DRAWING			

		TITLE:	
		SmartVisionLights.com	
SIZE	DWG. NO.	REV	
B	BKT0005	1	
SCALE: 1:2		WEIGHT:	SHEET 2 OF 4

4

3

2

1

B

B

A

A