

4

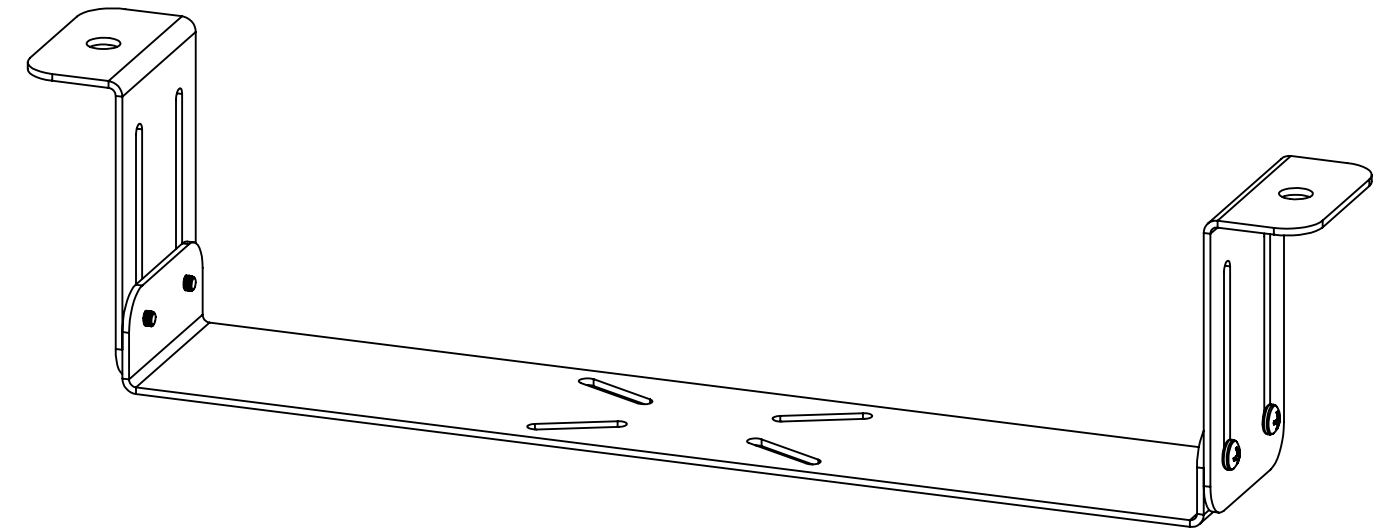
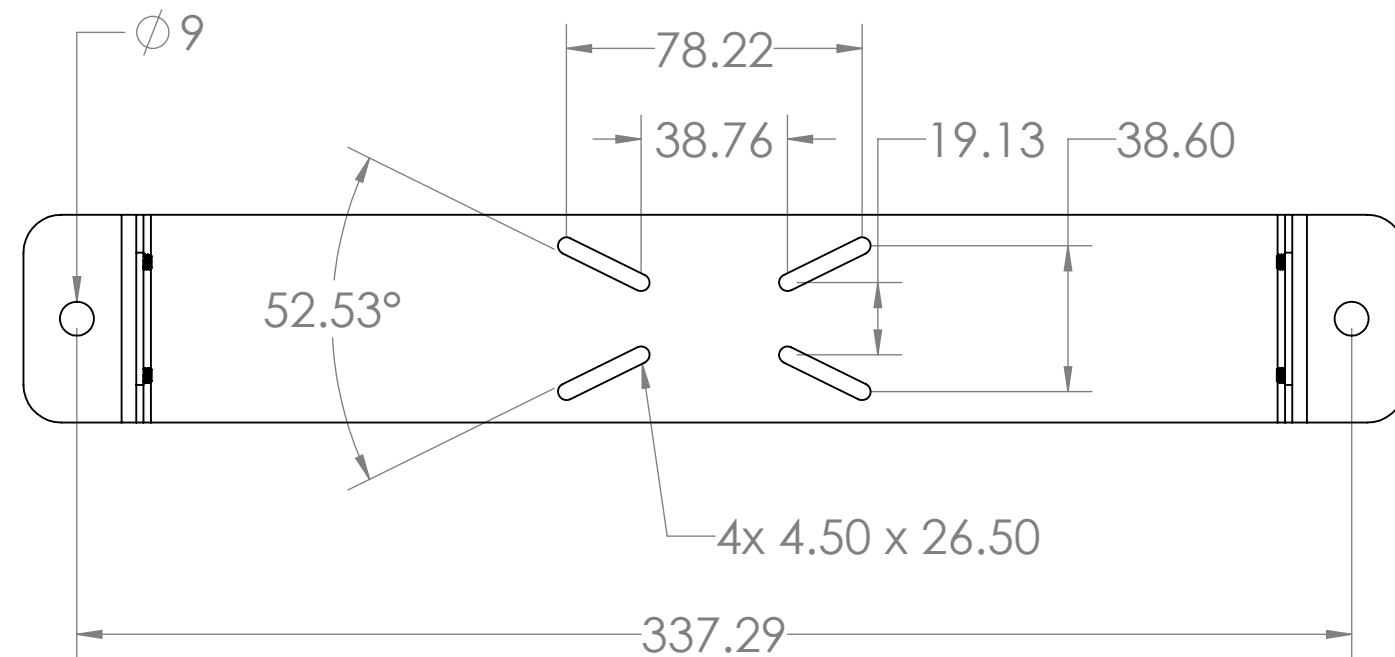
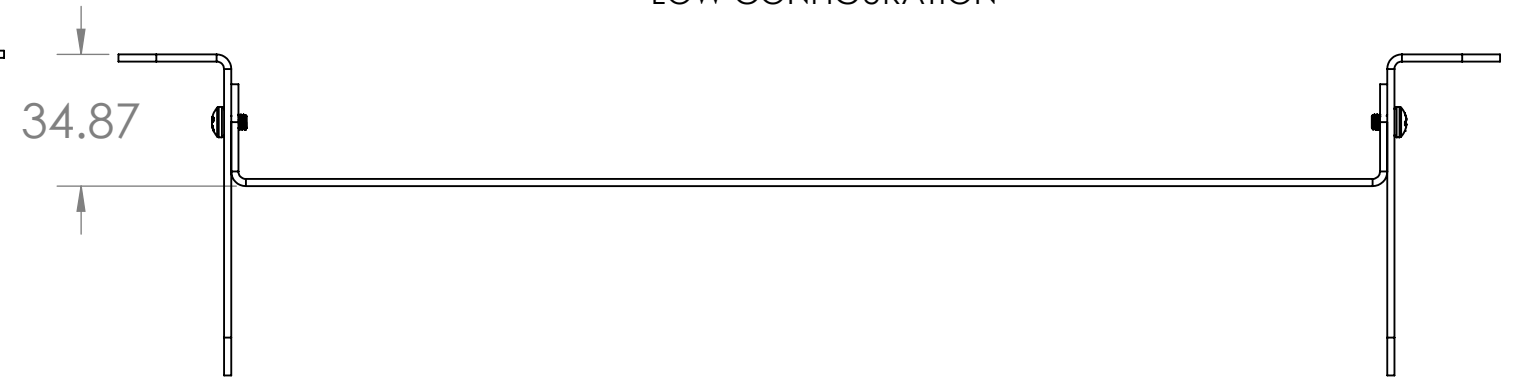
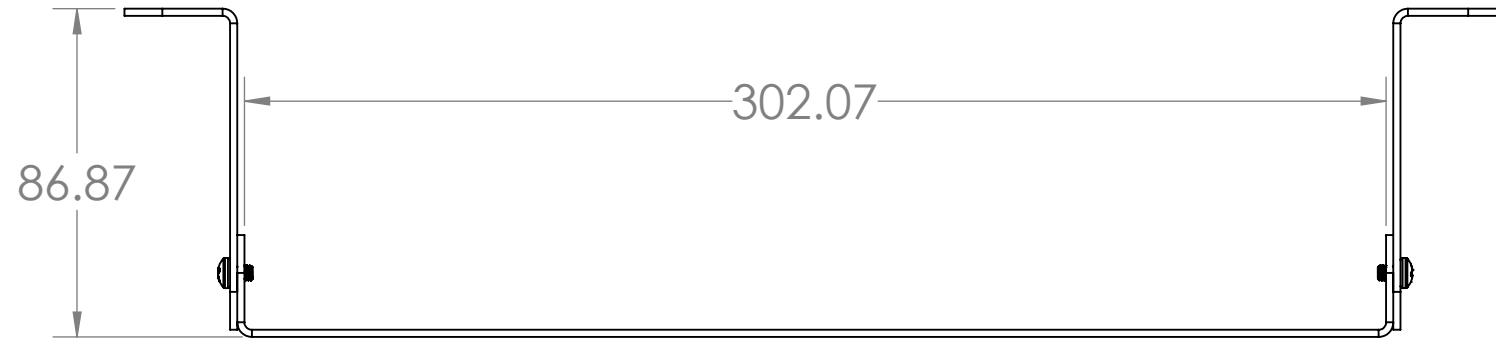
3

2

1

HIGH CONFIGURATION

LOW CONFIGURATION



UNLESS OTHERWISE SPECIFIED:		NAME	DATE
DIMENSIONS ARE IN MM		DRAWN	ASU 11/13/15
TOLERANCES:		CHECKED	MP 11/13/15
FRACTIONAL ±		ENG APPR.	MP 11/13/15
ANGULAR: MACH ± BEND ±		MFG APPR.	MP 11/13/15
TWO PLACE DECIMAL ±		Q.A.	
THREE PLACE DECIMAL ±		COMMENTS:	
INTERPRET GEOMETRIC TOLERANCING PER:		UNITS ARE IN MILLIMETERS	
MATERIAL			
FINISH			
DO NOT SCALE DRAWING			

PROPRIETARY AND CONFIDENTIAL
 THE INFORMATION CONTAINED IN THIS DRAWING IS THE SOLE PROPERTY OF SmartVisionLights. ANY REPRODUCTION IN PART OR AS A WHOLE WITHOUT THE WRITTEN PERMISSION OF SmartVisionLights IS PROHIBITED.



TITLE:
 SmartVisionLights.com

SIZE	DWG. NO.	REV
B	BKT0006	1
SCALE: 1:2	WEIGHT:	SHEET 1 OF 4

4

3

2

1

B

B

A

A