

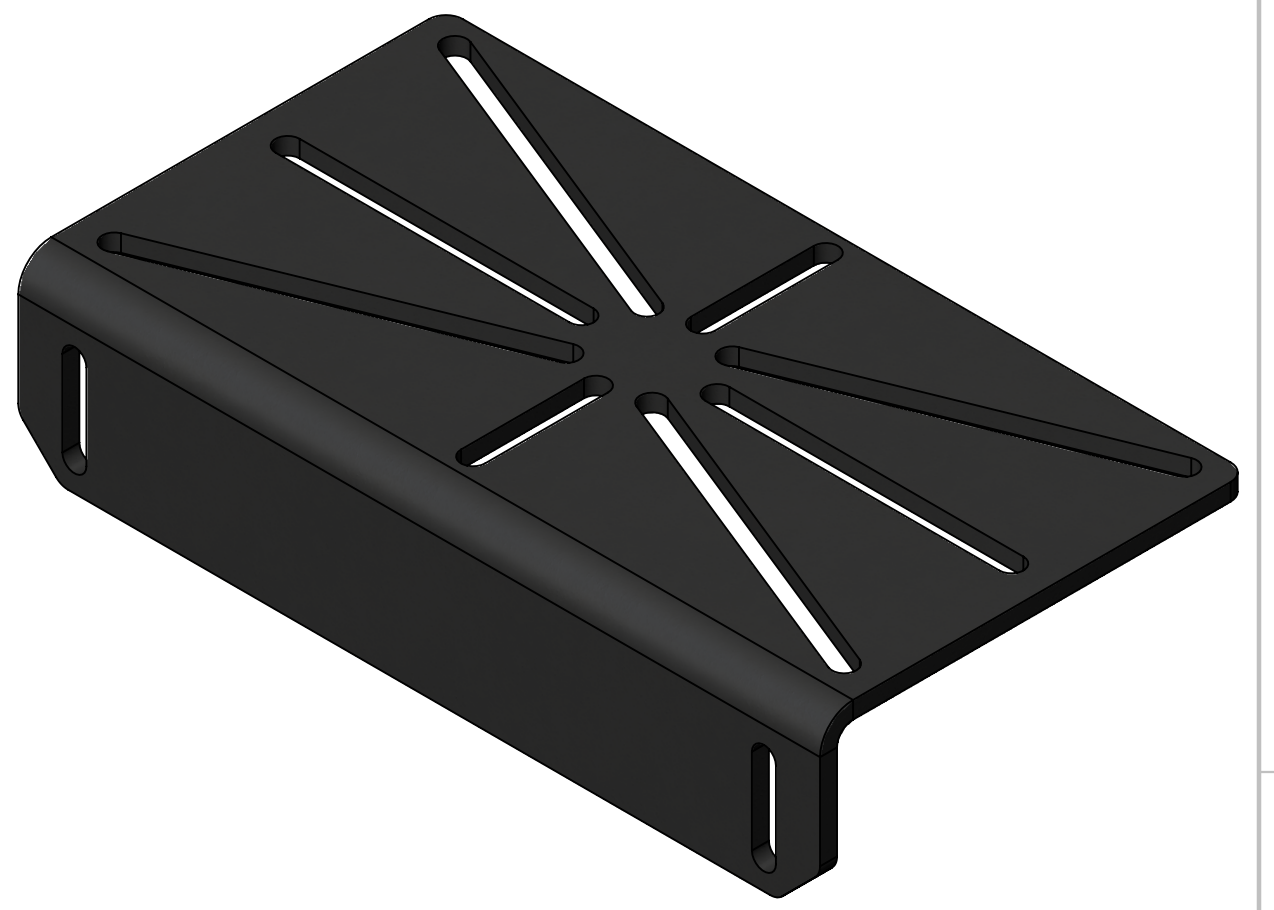
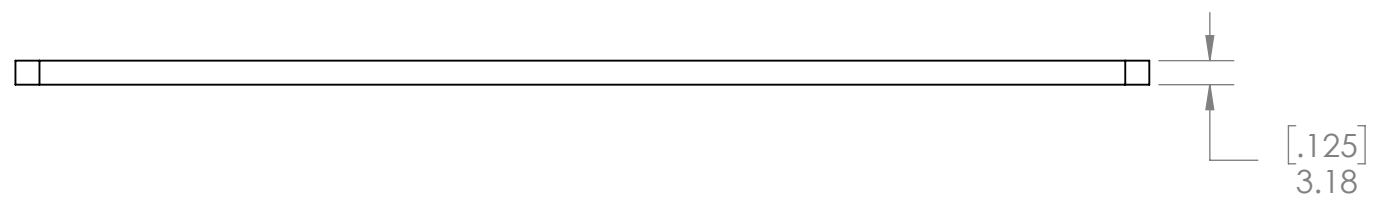
4

3

2

1

REVISIONS				
DRAWN BY	REV.	DESCRIPTION	DATE	APPROVED
NC	1	INITIAL RELEASE	5/19/2022	

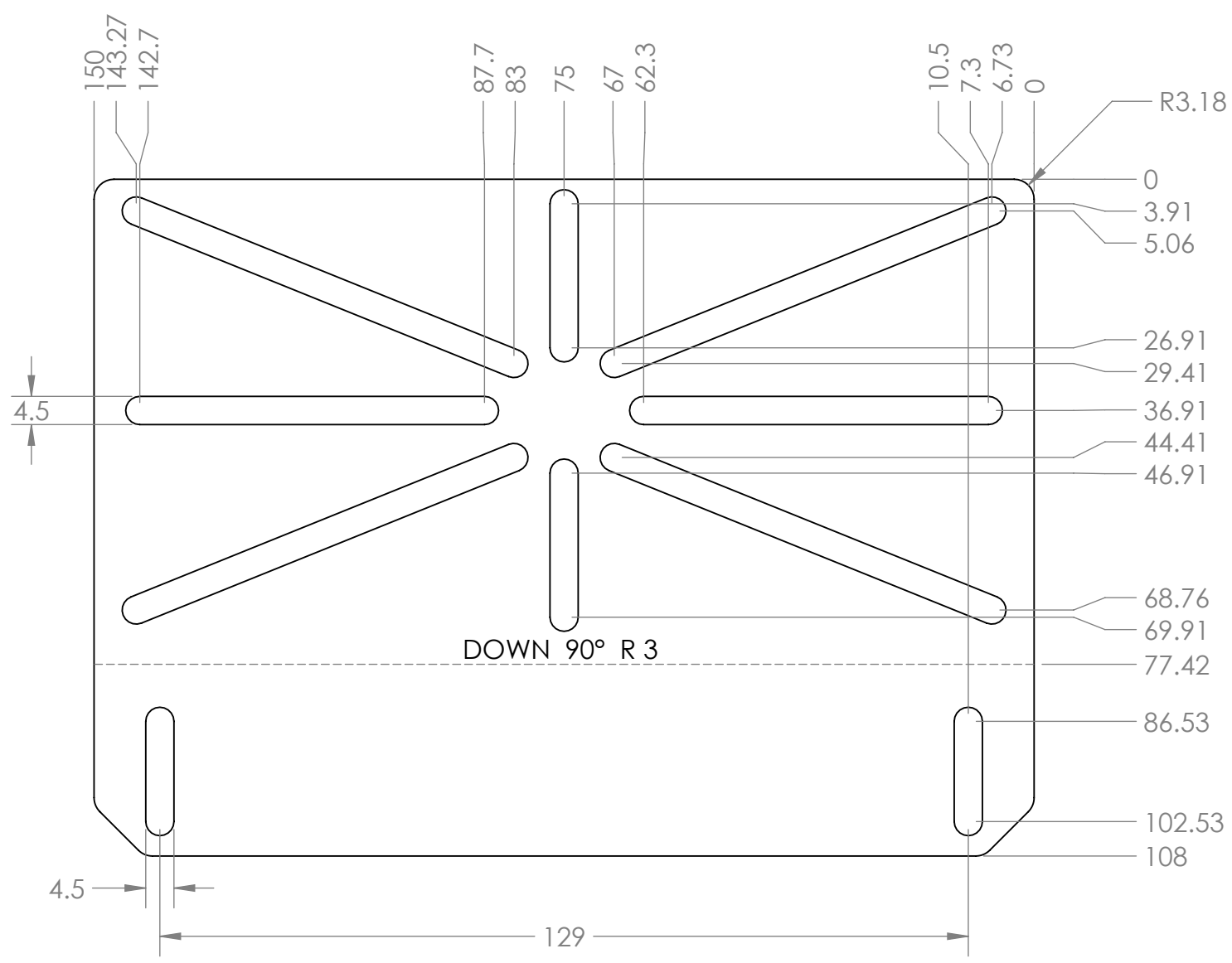


B

B

A

A



PROPRIETARY AND CONFIDENTIAL
 THE INFORMATION CONTAINED IN THIS DRAWING IS THE SOLE PROPERTY OF SmartVisionLights. ANY REPRODUCTION IN PART OR AS A WHOLE WITHOUT THE WRITTEN PERMISSION OF SmartVisionLights IS PROHIBITED.

UNLESS OTHERWISE SPECIFIED:		NAME	DATE
DIMENSIONS ARE IN MM		DRAWN	NC 5/19/2022
TOLERANCES:		CHECKED	MP 5/19/2022
FRACTIONAL ±		ENG APPR.	MP 5/19/2022
ANGULAR: BEND ± 3°		MFG APPR.	MP 5/19/2022
TWO PLACE DECIMAL ± .13		Q.A.	
THREE PLACE DECIMAL ± .127		COMMENTS:	
INTERPRET GEOMETRIC TOLERANCING PER:		UNITS ARE IN MILLIMETERS	
MATERIAL			
6061-T6			
FINISH		SCALE: 1:1 WEIGHT:	
ANODIZED BLACK		SHEET 1 OF 1	
DO NOT SCALE DRAWING			

smart vision lights

SVL PART NO. **BKT0037**

SIZE	ENG DWG NO.	REV
B	RTF_RIGHT ANGLE BRACKET	1