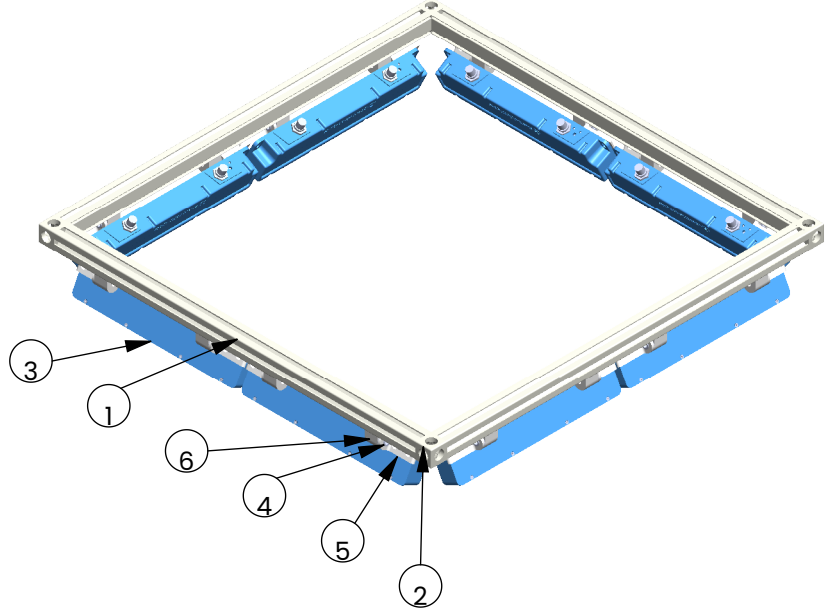


BILL OF MATERIALS					
ITEM NO.	PART NUMBER	PART NAME	QTY.	VENDOR	ORDER NUMBER
1	SOBL-600x600x001	soble 675x675x30	1	TMI	
2	30-3 Corner	CORNER CUBE	4	SVL	
3	L300	L300 LINEAR LIGHT	8	SVL	
4	25-3501	80/20 FASTENER	16	80/20	25-3501
5	25-4172	80/20 BRACKET	16	80/20	25-4172
6	25-4184	80/20 PIVOT	16	80/20	25-4184



**Machine VISION DIRECT**  
 This item is sold and supported worldwide by Machine Vision Direct  
 For Quotes and Support: [Support@MachineVisionDirect.com](mailto:Support@MachineVisionDirect.com)  
 +1 (800) 834-5588 | [MachineVisionDirect.com](http://MachineVisionDirect.com)

NAME	DATE
S. Shaikh	6/2/2023
DRAWN	CHECKED

SIZE	PART NUMBER	REV
A	DFL-24	A
MANUFACTURER: SMART VISION LIGHTS		
SCALE: 1:10		ALL DIMENSIONS ARE IN MILLIMETERS