

4

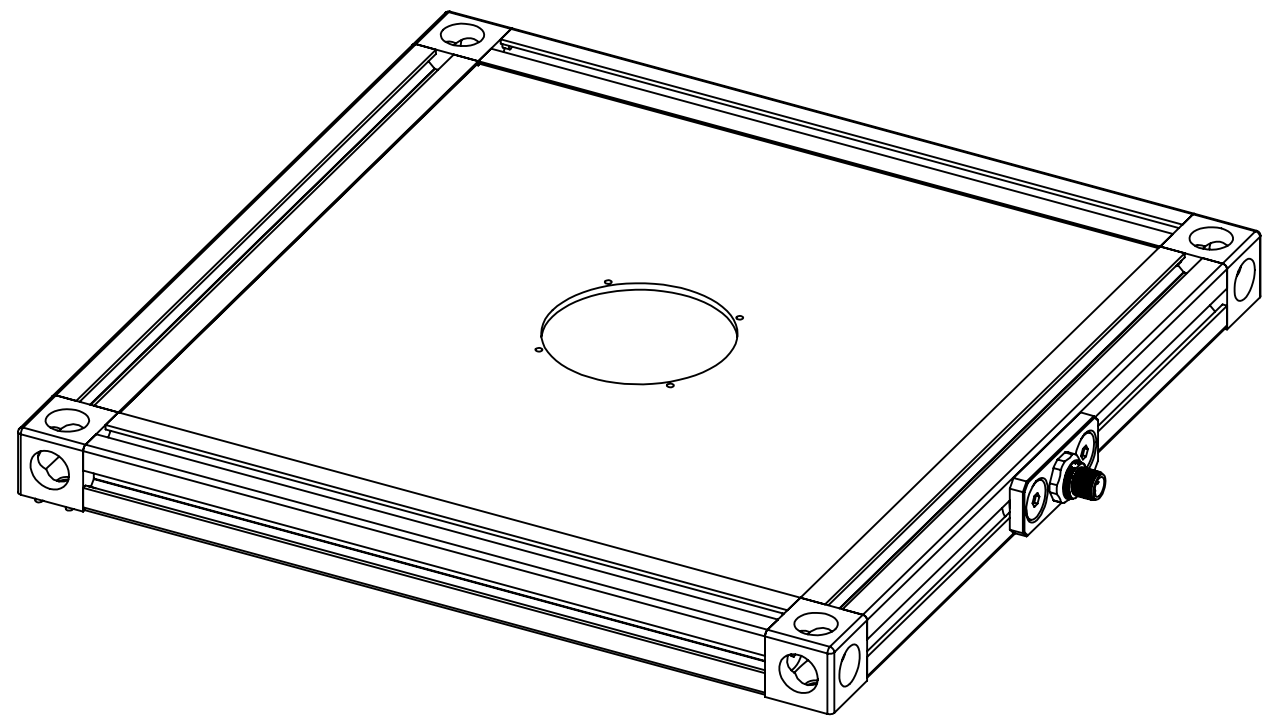
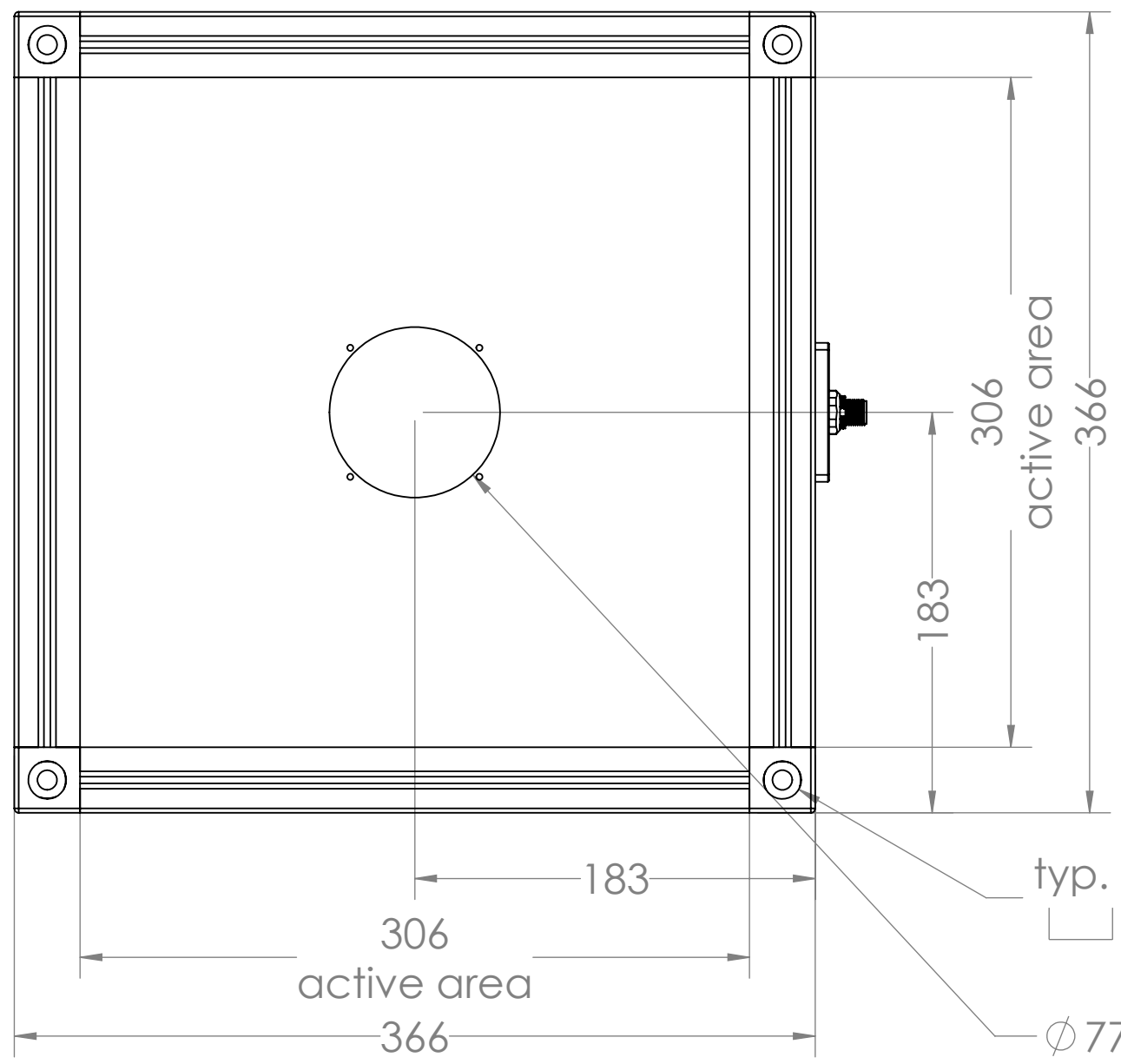
3

2

1

B

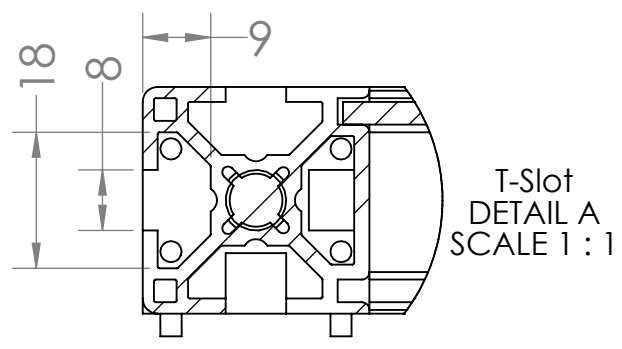
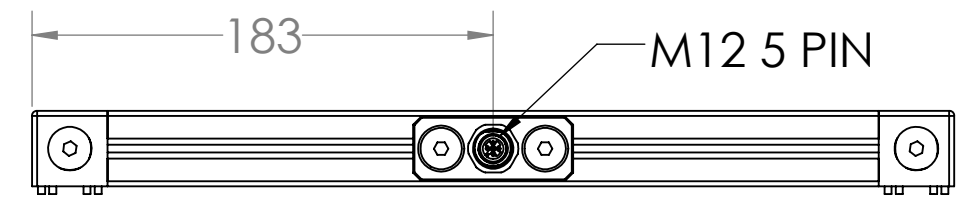
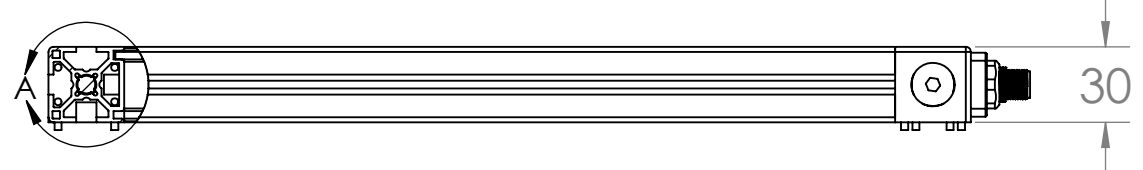
B



typ. $\varnothing 9$ THRU ALL
 $\square \varnothing 17.30 \pm 24$
 $\varnothing 77.93$ THRU ALL

A


A



T-Slot
 DETAIL A
 SCALE 1 : 1

PROPRIETARY AND CONFIDENTIAL
 THE INFORMATION CONTAINED IN THIS DRAWING IS THE SOLE PROPERTY OF SmartVisionLights. ANY REPRODUCTION IN PART OR AS A WHOLE WITHOUT THE WRITTEN PERMISSION OF SmartVisionLights IS PROHIBITED.

UNLESS OTHERWISE SPECIFIED:		NAME	DATE
DIMENSIONS ARE IN MM		DRAWN	ASU 12/21/15
TOLERANCES:		CHECKED	MP 12/21/15
FRACTIONAL \pm		ENG APPR.	MP 12/21/15
ANGULAR: MACH \pm BEND \pm		MFG APPR.	MP 12/21/15
TWO PLACE DECIMAL \pm		Q.A.	
THREE PLACE DECIMAL \pm		COMMENTS:	
INTERPRET GEOMETRIC TOLERANCING PER:		UNITS ARE IN MILLIMETERS	
MATERIAL			
FINISH			
DO NOT SCALE DRAWING			



TITLE:
 SmartVisionLights.com

SIZE	DWG. NO.	REV
B	DLP 300x300	2

SCALE: 1:3 WEIGHT: SHEET 1 OF 1