

4

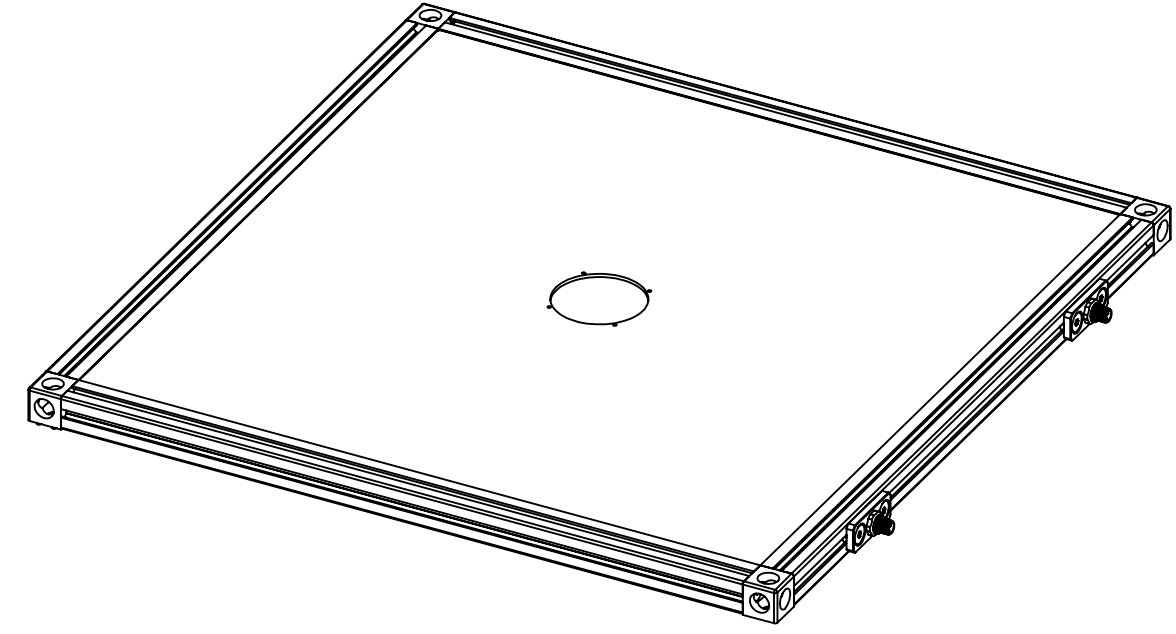
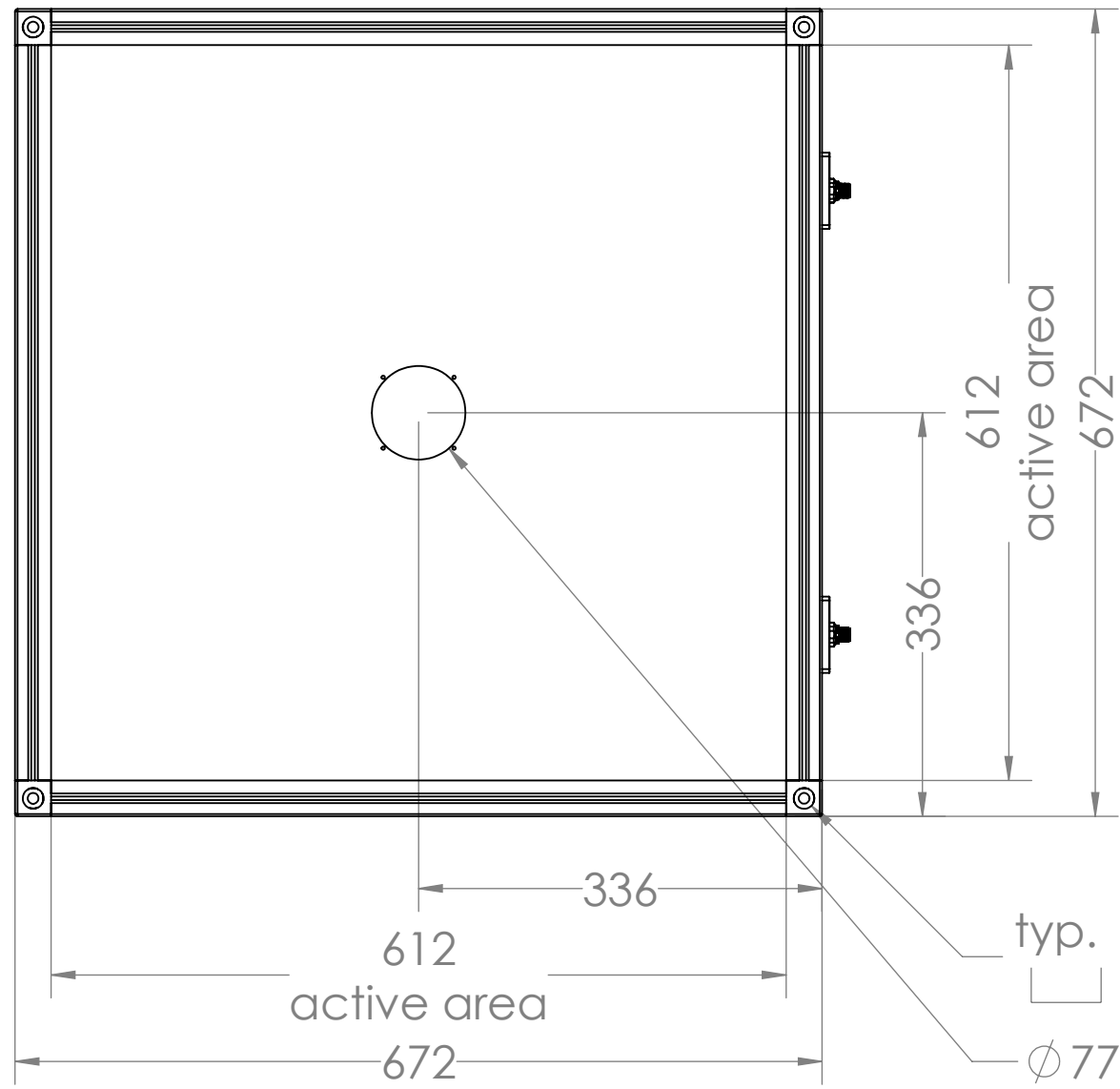
3

2

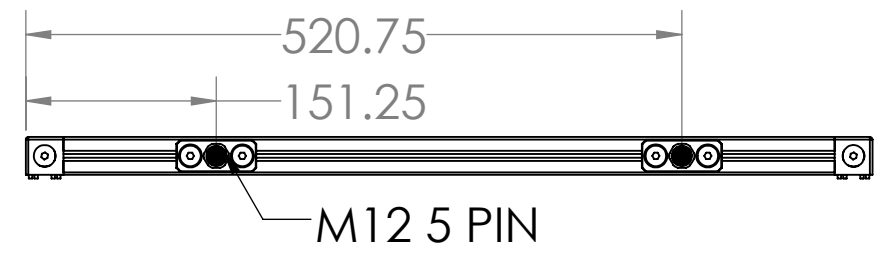
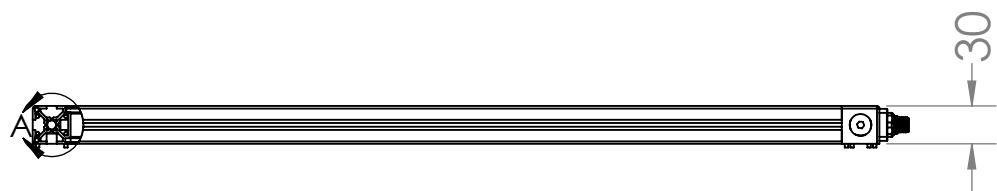
1

B

B

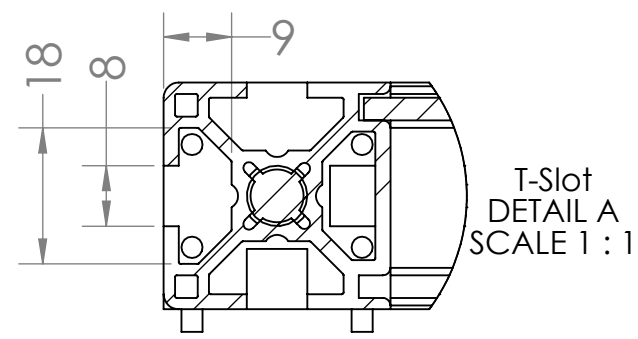


typ. $\phi 9$ THRU ALL
 $\square \phi 17.30 \nabla 24$
 $\phi 77.93$ THRU ALL



A

A



PROPRIETARY AND CONFIDENTIAL
 THE INFORMATION CONTAINED IN THIS DRAWING IS THE SOLE PROPERTY OF SmartVisionLights. ANY REPRODUCTION IN PART OR AS A WHOLE WITHOUT THE WRITTEN PERMISSION OF SmartVisionLights IS PROHIBITED.

UNLESS OTHERWISE SPECIFIED:
 DIMENSIONS ARE IN MM
 TOLERANCES:
 FRACTIONAL \pm
 ANGULAR: MACH \pm BEND \pm
 TWO PLACE DECIMAL \pm
 THREE PLACE DECIMAL \pm
 INTERPRET GEOMETRIC TOLERANCING PER:
 MATERIAL
 FINISH
 DO NOT SCALE DRAWING

NAME	DATE
ASU	12/18/15
DRAWN	
CHECKED	
ENG APPR.	
MFG APPR.	
Q.A.	
COMMENTS:	
UNITS ARE IN MILLIMETERS	

TITLE: SmartVisionLights.com		
SIZE	DWG. NO.	REV
B	DLP 600x600	2
SCALE: 1:6	WEIGHT:	SHEET 1 OF 1