

4

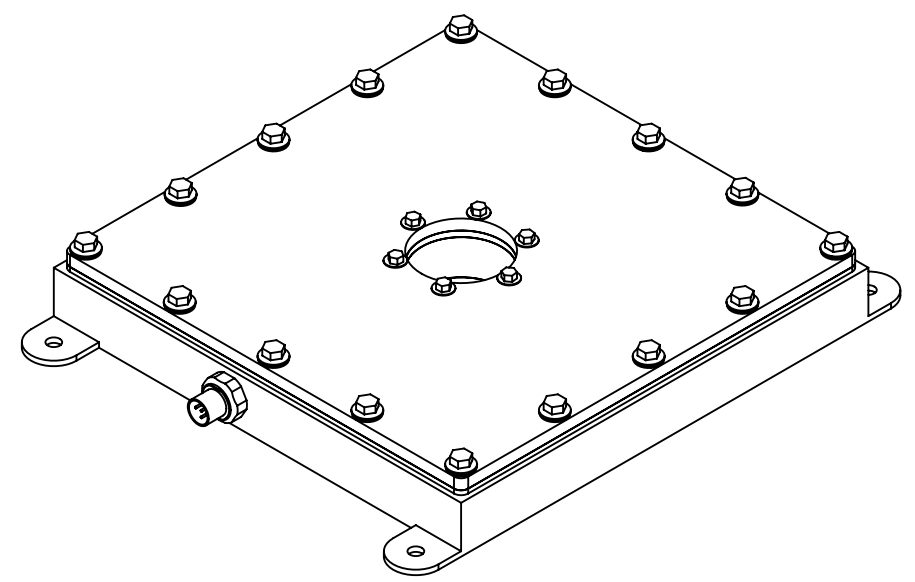
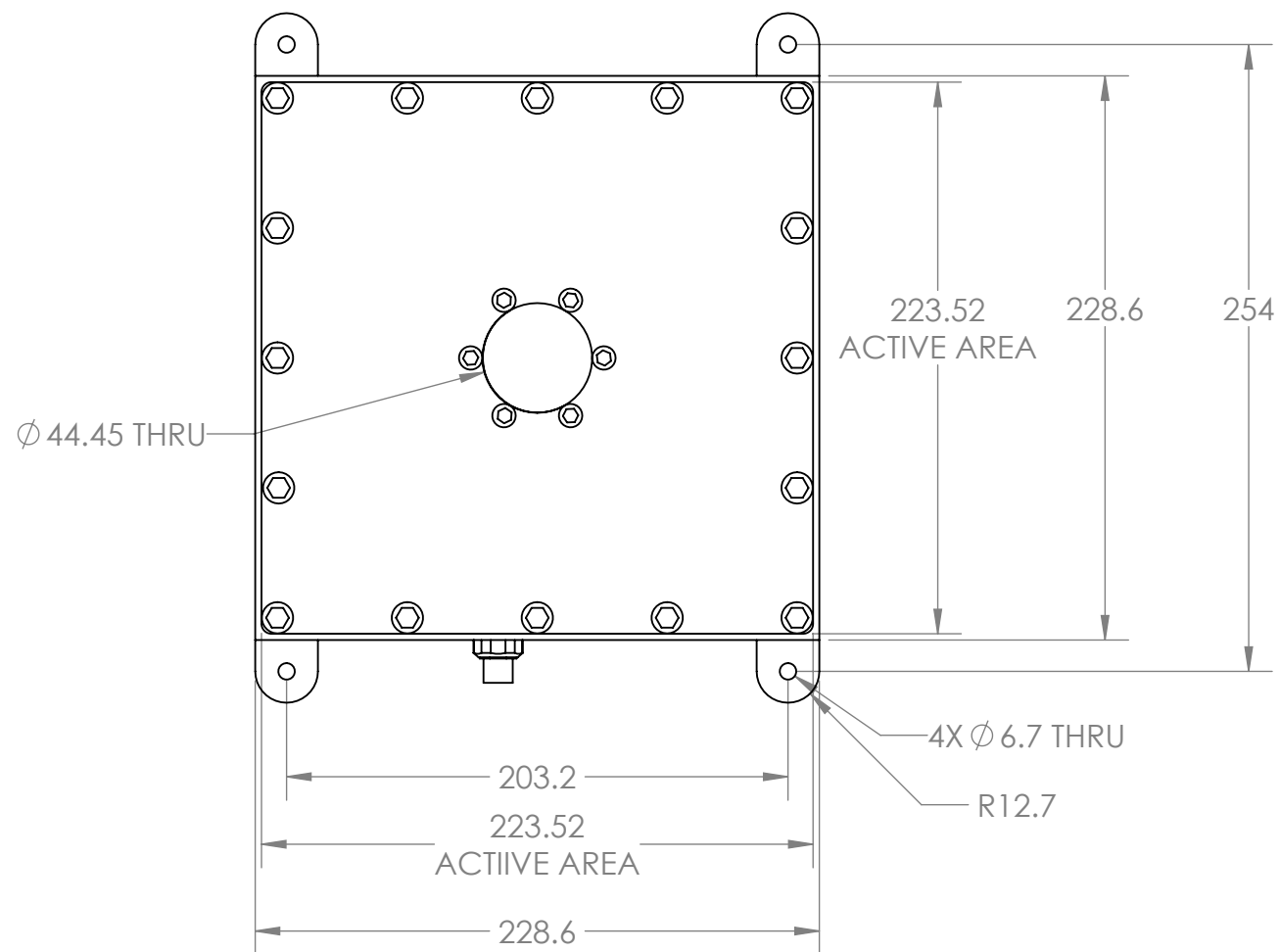
3

2

1

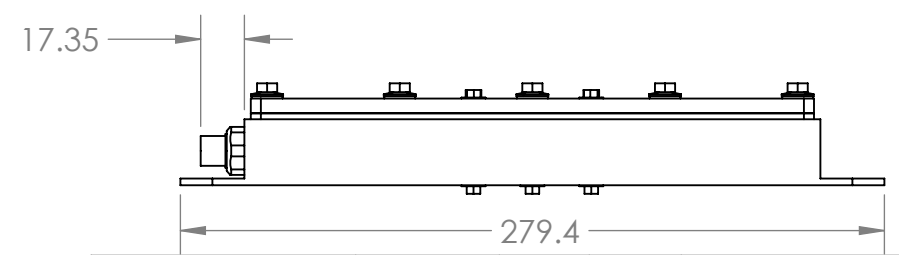
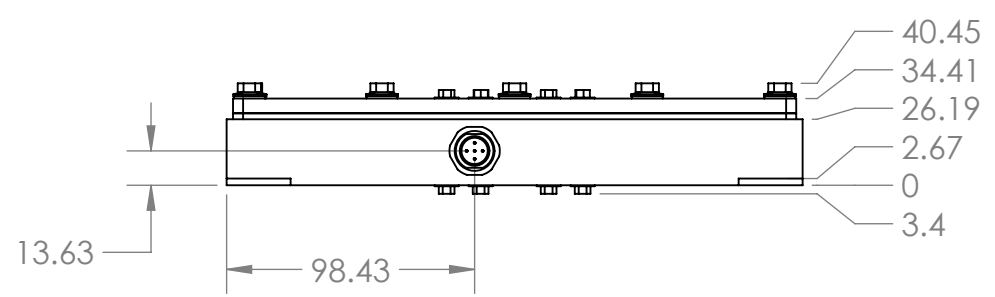
B

B



A

A



PROPRIETARY AND CONFIDENTIAL
 THE INFORMATION CONTAINED IN THIS DRAWING IS THE SOLE PROPERTY OF SmartVisionLights. ANY REPRODUCTION IN PART OR AS A WHOLE WITHOUT THE WRITTEN PERMISSION OF SmartVisionLights IS PROHIBITED.

UNLESS OTHERWISE SPECIFIED:		NAME	DATE
DIMENSIONS ARE IN MM		DRAWN	NC 4/10/2018
TOLERANCES:		CHECKED	MP 4/10/2018
FRACTIONAL		ENG APPR.	MP 4/10/2018
ANGULAR: BEND		MFG APPR.	MP 4/10/2018
TWO PLACE DECIMAL			
THREE PLACE DECIMAL			
INTERPRET GEOMETRIC TOLERANCING PER:		Q.A.	
MATERIAL		COMMENTS:	
FINISH		UNITS ARE IN MILLIMETERS	
DO NOT SCALE DRAWING			

		SVL PART NO.	
		DLPW-190X190-XXX	
SIZE	ENG DWG NO.	REV	
B	DLPW-190x190	1	
SCALE: 1:3	WEIGHT:	SHEET 1 OF 1	

4

3

2

1