

4

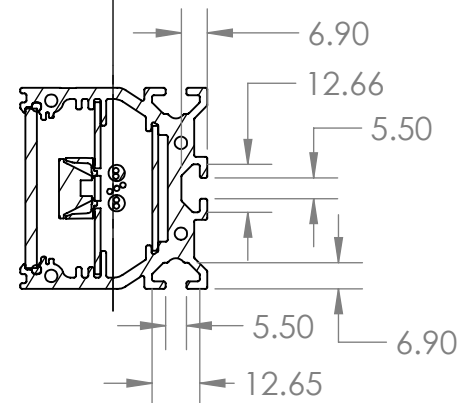
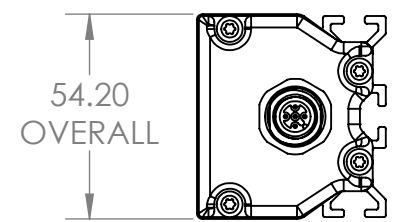
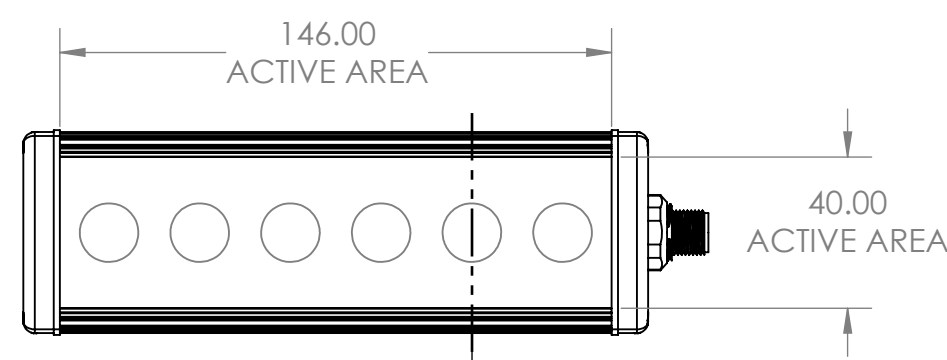
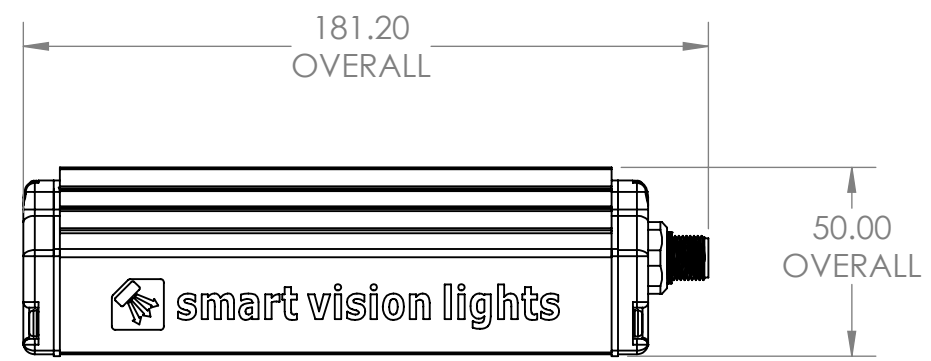
3

2

1

B

B



T-SLOT DETAIL
SCALE 1:2

PROPRIETARY AND CONFIDENTIAL
THE INFORMATION CONTAINED IN THIS DRAWING IS THE SOLE PROPERTY OF SmartVisionLights. ANY REPRODUCTION IN PART OR AS A WHOLE WITHOUT THE WRITTEN PERMISSION OF SmartVisionLights IS PROHIBITED.

UNLESS OTHERWISE SPECIFIED:		NAME	DATE
DIMENSIONS ARE IN MM		DRAWN	RH 5/3/2023
TOLERANCES:		CHECKED	5/3/2023
FRACTIONAL ±		ENG APPR.	5/3/2023
ANGULAR: BEND ± 3°		MFG APPR.	5/3/2023
ONE PLACE DECIMAL ±.1		Q.A.	
TWO PLACE DECIMAL ±.13		COMMENTS:	
THREE PLACE DECIMAL ±.127		UNITS ARE IN MILLIMETERS	
INTERPRET GEOMETRIC TOLERANCING PER:	MATERIAL		
FINISH			
DO NOT SCALE DRAWING			



SVL PART NO.		
LSR 150		
SIZE	ENG DWG NO.	REV
B	LSR 150	1
SCALE: 1:2	WEIGHT:	SHEET 1 OF 1

4

3

2

1

A

A