

4

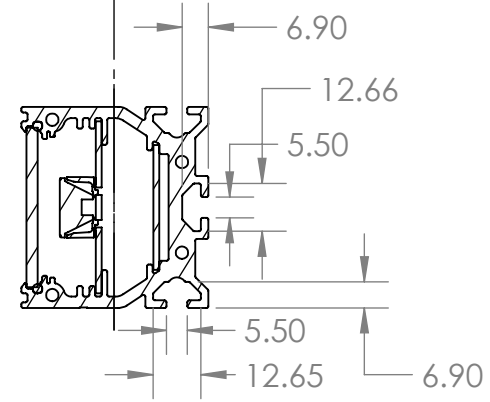
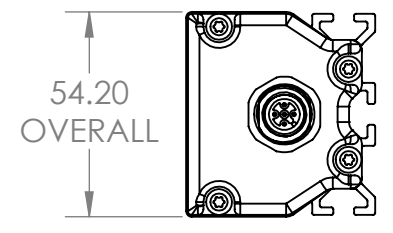
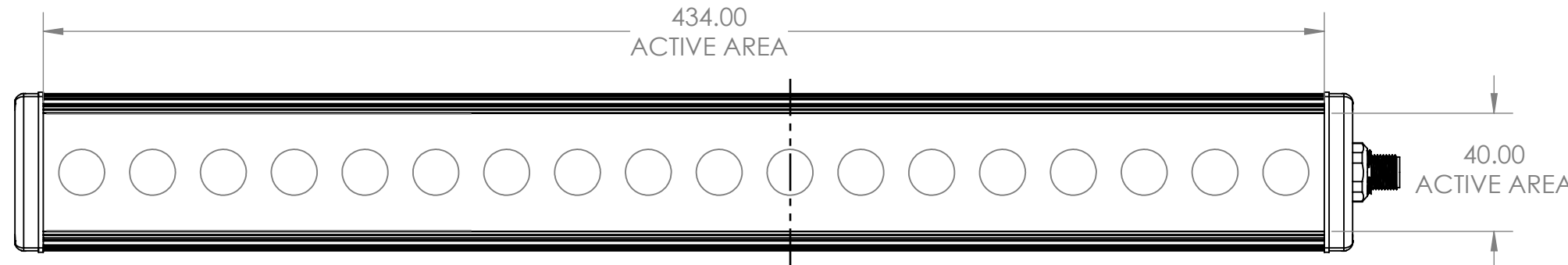
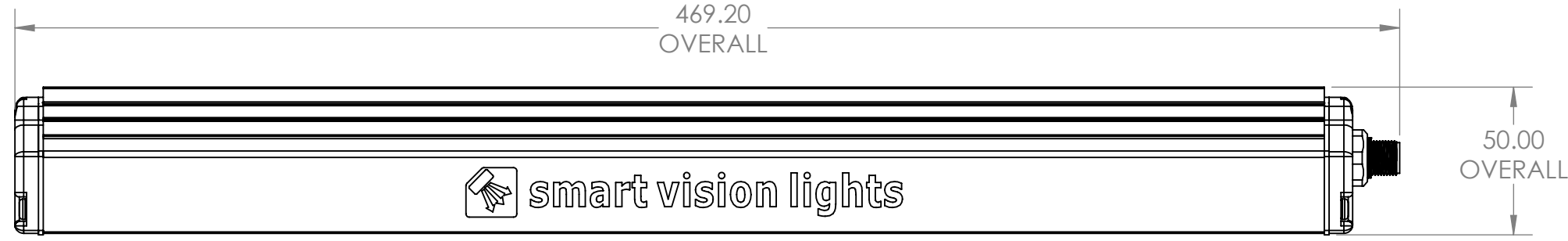
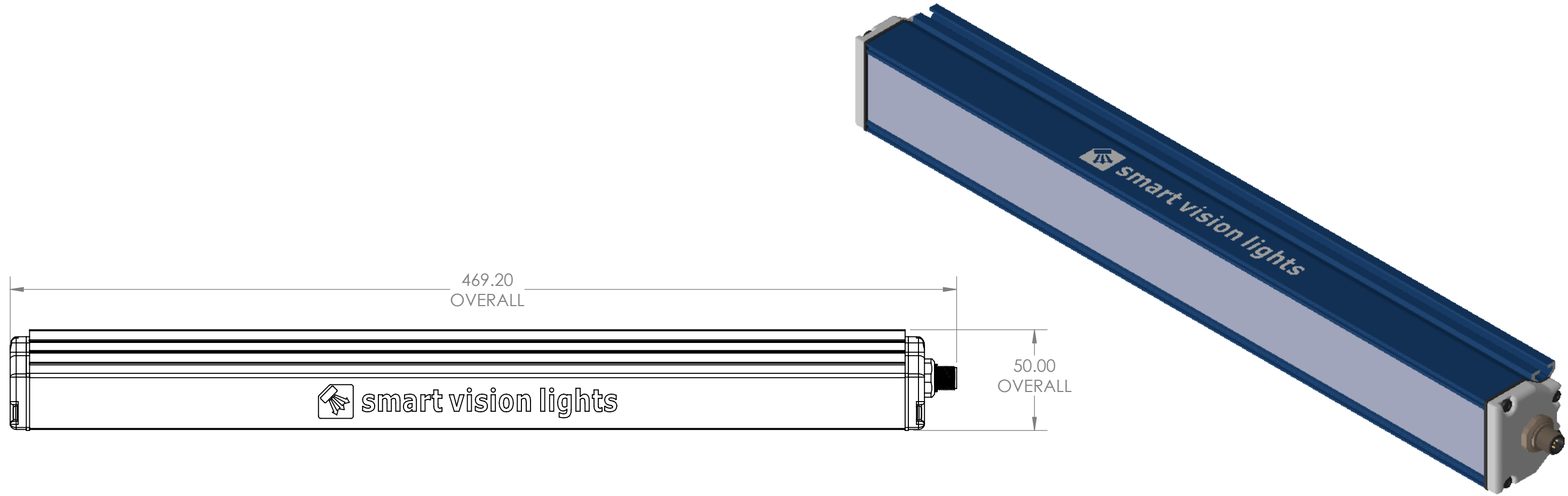
3

2

1

B

B



T-SLOT DETAIL
SCALE 1:2

PROPRIETARY AND CONFIDENTIAL
THE INFORMATION CONTAINED IN THIS DRAWING IS THE SOLE PROPERTY OF SmartVisionLights. ANY REPRODUCTION IN PART OR AS A WHOLE WITHOUT THE WRITTEN PERMISSION OF SmartVisionLights IS PROHIBITED.

UNLESS OTHERWISE SPECIFIED:
DIMENSIONS ARE IN MM
TOLERANCES:
FRACTIONAL ±
ANGULAR: BEND ± 3°
ONE PLACE DECIMAL ±.1
TWO PLACE DECIMAL ±.13
THREE PLACE DECIMAL ±.127
INTERPRET GEOMETRIC TOLERANCING PER:
MATERIAL
FINISH
DO NOT SCALE DRAWING

	NAME	DATE
DRAWN	RH	5/3/2023
CHECKED		5/3/2023
ENG APPR.		5/3/2023
MFG APPR.		5/3/2023
Q.A.		
COMMENTS: UNITS ARE IN MILLIMETERS		

SVL PART NO.		
LSR 450		
SIZE	ENG DWG NO.	REV
B	LSR 450	1
SCALE: 1:5	WEIGHT:	SHEET 1 OF 1

4

3

2

1

A

A