

4

3

2

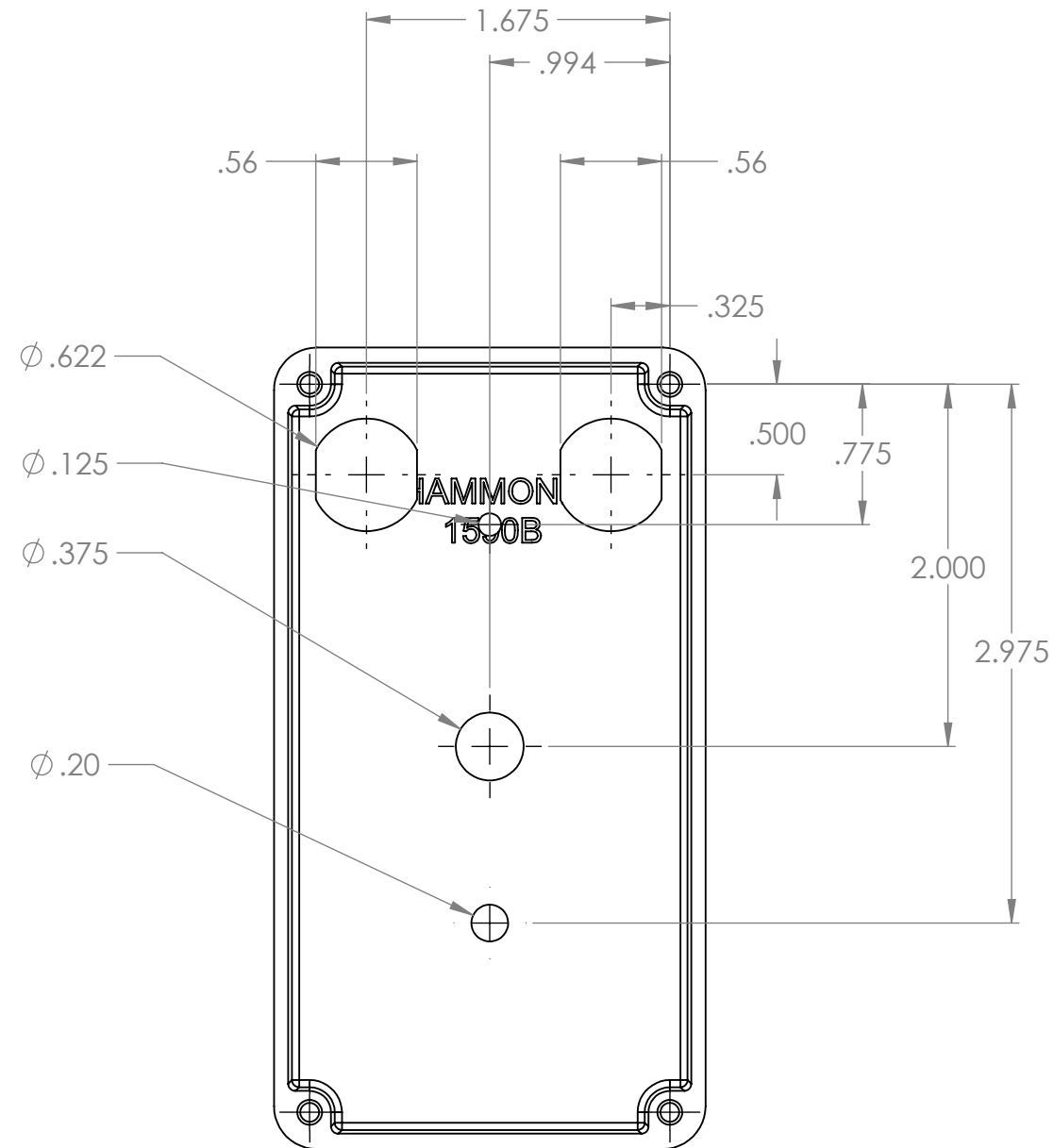
1

B

B

A

A



UNLESS OTHERWISE SPECIFIED:		NAME	DATE
DIMENSIONS ARE IN MM		DRAWN	RH 4/14/2023
TOLERANCES:		CHECKED	4/14/2023
FRACTIONAL \pm		ENG APPR.	4/14/2023
ANGULAR: BEND $\pm 3^\circ$		MFG APPR.	4/14/2023
ONE PLACE DECIMAL $\pm .1$		Q.A.	
TWO PLACE DECIMAL $\pm .13$		COMMENTS:	
THREE PLACE DECIMAL $\pm .127$			
INTERPRET GEOMETRIC TOLERANCING PER:		UNITS ARE IN INCHES	
MATERIAL			
FINISH			
DO NOT SCALE DRAWING			

PROPRIETARY AND CONFIDENTIAL
 THE INFORMATION CONTAINED IN THIS DRAWING IS THE SOLE PROPERTY OF SmartVisionLights. ANY REPRODUCTION IN PART OR AS A WHOLE WITHOUT THE WRITTEN PERMISSION OF SmartVisionLights IS PROHIBITED.



SVL PART NO.		
PTM MODULE HOUSING		
SIZE	ENG DWG NO.	REV
B	PTM MODULE	2
SCALE: 1:1	WEIGHT:	SHEET 1 OF 1

4

3

2

1