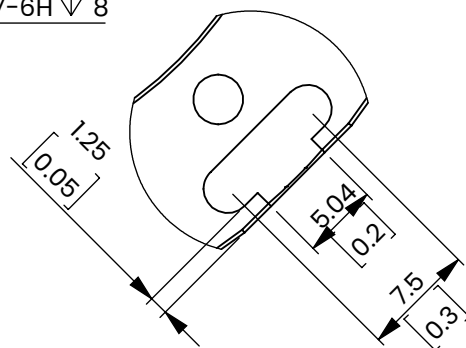
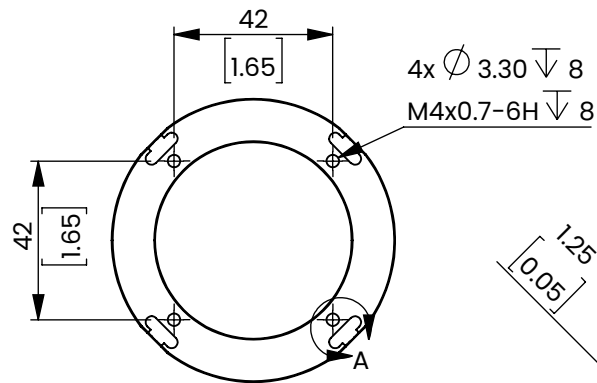


T-Slot
DETAIL A
SCALE 2:1 (2:1)



This drawing is provided for reference only. It is not approved for manufacturing and the actual component can vary. We encourage that any discrepancies are reported to our CAD department at CAD@MachineVisionDirect.com

This item is sold and supported worldwide by Machine Vision Direct		NAME	DATE
For Quotes and Support: Support@MachineVisionDirect.com		DRAWN	S. Shaikh 06/10/2023
+1 (800) 834-5588 MachineVisionDirect.com		CHECKED	
SIZE	PART NUMBER	REV	
A	RM75-4Z	A	
MANUFACTURER: SMART VISION LIGHTS			
SCALE: 1:2		ALL DIMENSIONS ARE IN MILLIMETERS	