

4

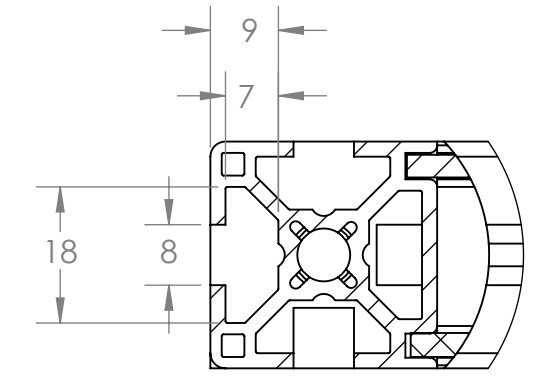
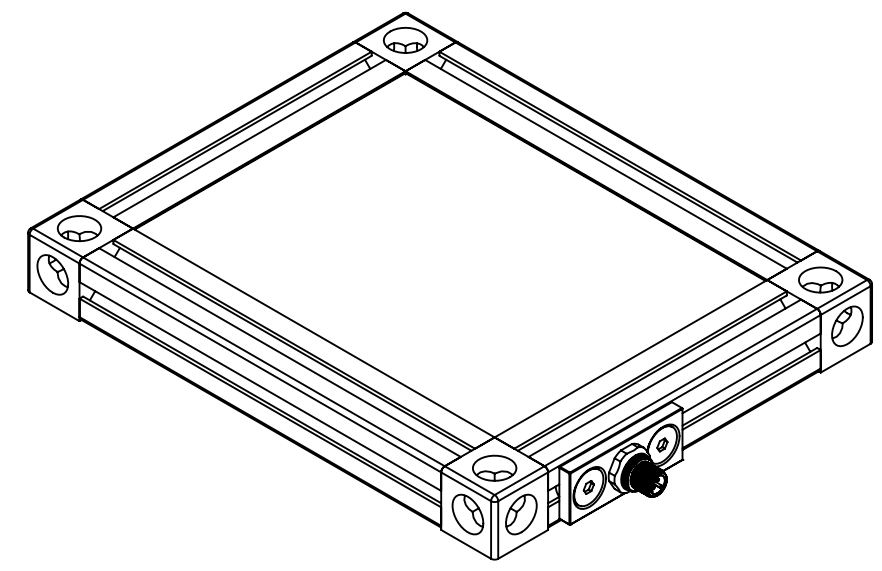
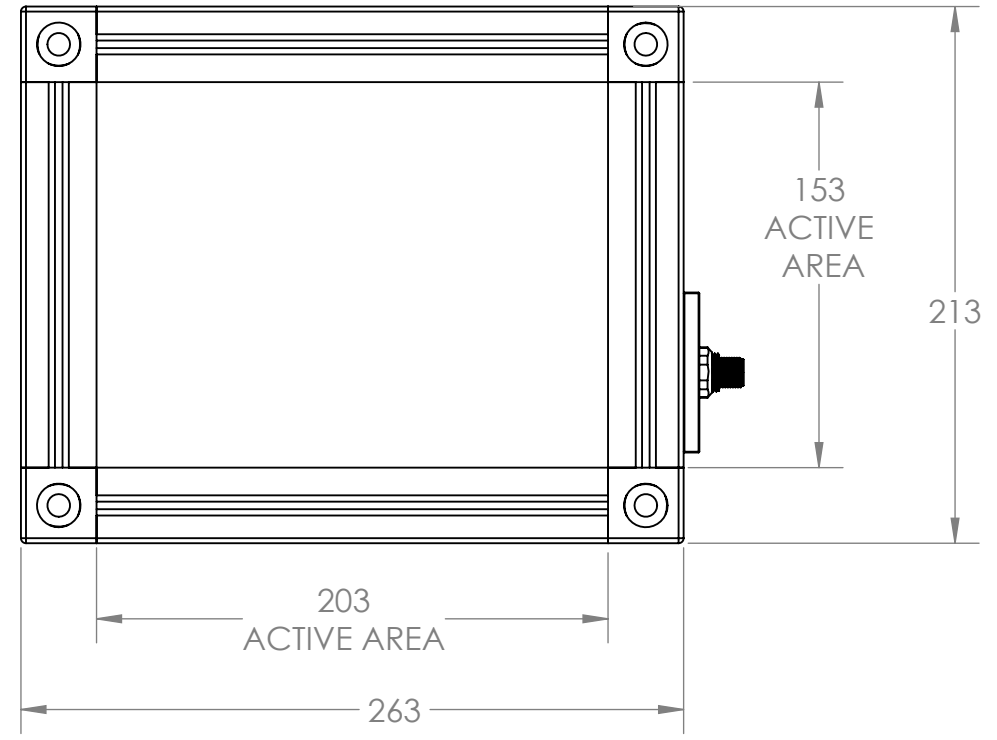
3

2

1

B

B



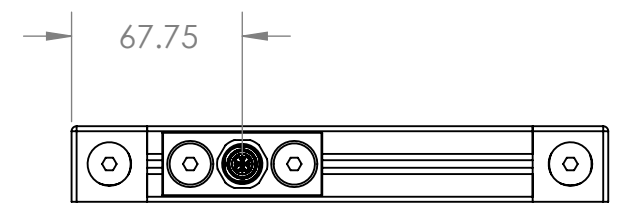
T-SLOT DETAIL A SCALE 1:1

A

A



TYP.  $\phi 9$  THRU ALL  
 $\square \phi 17.3 \nabla 24$



UNLESS OTHERWISE SPECIFIED:		NAME	DATE
DIMENSIONS ARE IN MM		DRAWN	LS 12/5/2023
TOLERANCES:		CHECKED	MP 12/5/2023
FRACTIONAL		ENG APPR.	MP 12/5/2023
ANGULAR: BEND		MFG APPR.	MP 12/5/2023
TWO PLACE DECIMAL		Q.A.	
THREE PLACE DECIMAL		COMMENTS:	
INTERPRET GEOMETRIC TOLERANCING PER:		UNITS ARE IN MILLIMETERS	
MATERIAL			
FINISH			
DO NOT SCALE DRAWING			

**PROPRIETARY AND CONFIDENTIAL**  
 THE INFORMATION CONTAINED IN THIS DRAWING IS THE SOLE PROPERTY OF SmartVisionLights. ANY REPRODUCTION IN PART OR AS A WHOLE WITHOUT THE WRITTEN PERMISSION OF SmartVisionLights IS PROHIBITED.



SVL PART NO.  
**SOBL-200X150-XXX**

SIZE	ENG DWG NO.	REV
<b>B</b>	SOBL-200X150-XXX	<b>1</b>

SCALE: 1:3 WEIGHT: SHEET 1 OF 1

4

3

2

1