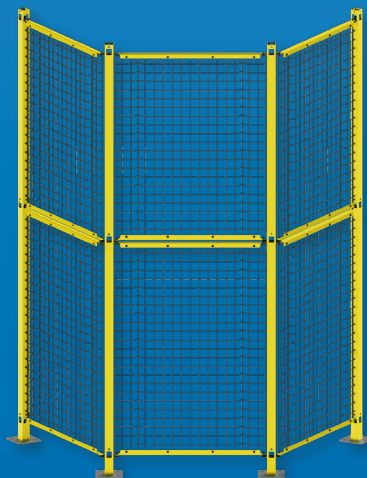
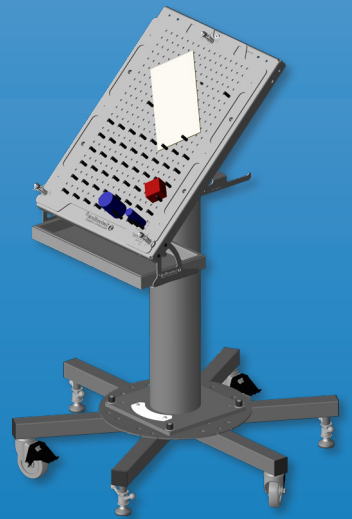
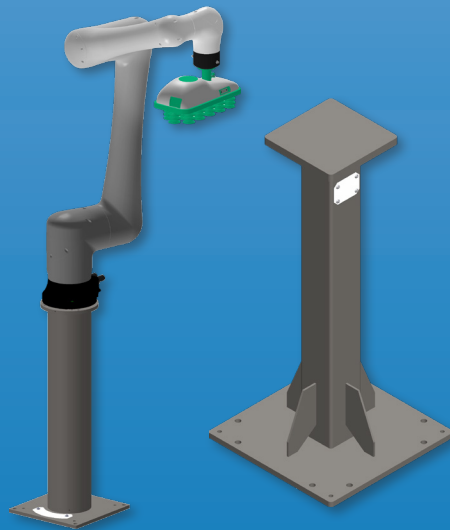
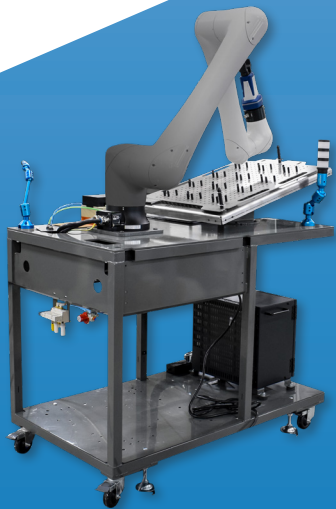




PRODUCT CATALOG





The Swivellink® product line originally started out with a need to mount operator start buttons onto custom-built industrial machinery. The truth is, we didn't develop the product to sell, but to solve a problem on our own production lines. We knew the design needed to be robust and flexible. The goal was to protect the expensive button and route the quick disconnect cable internally, because a simple wire break or damaged button can cause hours of costly production downtime.

Soon after it was designed, others quickly saw the value in it as well, and sales took off without much effort. The Swivellink® product was unique and offered multiple benefits. Once it gained traction in the market, we found new and more creative ways to solve other mounting problems. We added solutions to mount cameras, sensors, lights, robotic end-of-arm tooling, etc. Swivellink® is now offered in 3 different sizes, XS, Standard, & Heavy Duty, and comes in Metric or Imperial. (Heavy Duty only available in Imperial sizes)

As Swivellink® sets out to provide innovative products, other automation solutions have been developed through the years. Swivellink® now offers complete conveyors, modular guarding (Stronguard®), robot accessories, and a safety validation device (PLx).

Now distributed worldwide, the Swivellink® product line has been used for hundreds of different applications in all types of industries. Our goal is to intelligently design a flexible product line that will solve automation problems. The possibilities are endless.

TABLE OF CONTENTS

MOUNTING SOLUTIONS PG. 5

Our mounting solutions are the world's preferred way to mount cameras, lights, and sensors.

- MOUNTING PLATES BY BRAND PG. 6
- MOUNTING CONFIGURATIONS PG. 7
- TECHNICAL INFORMATION PG. 9
- BASES, KNUCKLES, & LINKS PG. 11
- ADAPTERS, BUTTON MOUNTS, TABLE CLAMPS, HANDLES & TOOLS PG. 12
- SENSOR MOUNTS & KITS PG. 13
- MOUNTING KITS PG. 14
- DEMO KITS PG. 15

END OF ARM TOOLING (EOAT) PG. 17

EOAT provides a flexible solution for robotic material handling.

- PRODUCT CHART PG. 18

ROBOT PEDESTALS & ACCESSORIES PG. 19

Robust and well-designed pedestal options that are perfect for getting your robot up off the ground.

- ROBOT & COBOT PEDESTALS..... PG. 19
- PRODUCT CHART..... PG. 20
- MOBILE BASE & PARTS FEEDER..... PG. 21
- MOBILE CARTS PG. 22

CONVEYORS PG.23

Our conveyors are perfect for light to medium duty applications. Option to build your own or order complete.

- CONVEYOR PRODUCT CHART..... PG. 24
- CONVEYOR ACCESSORIES PG. 25
- DIMENSIONS EXAMPLE PG. 26

SAFETY DEVICES PG. 27

The PLx is a device used to induce faults and validate that your safety equipment is working properly.

- FAQ PG. 28

STRONGUARD® PG. 29

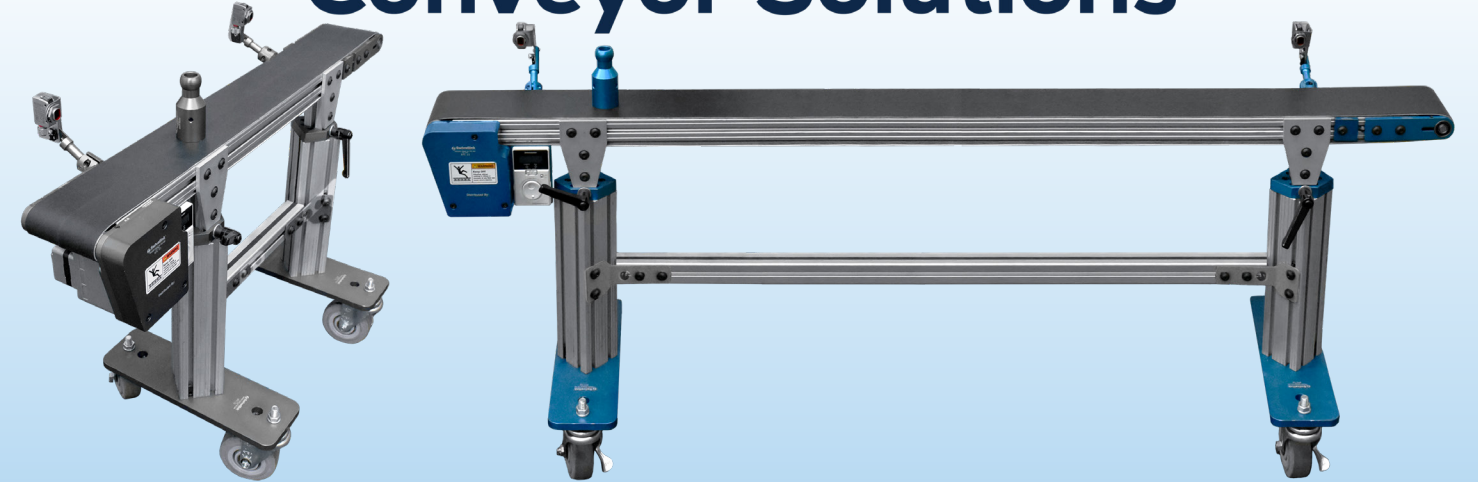
Stronguard® is an industrial guarding line built to be modular and strong.

- GUARDING CONFIGURATION PG. 30
- PRODUCT CHART PG. 31
- TECHNICAL INFORMATION PG. 32

Mounting Solutions



Conveyor Solutions



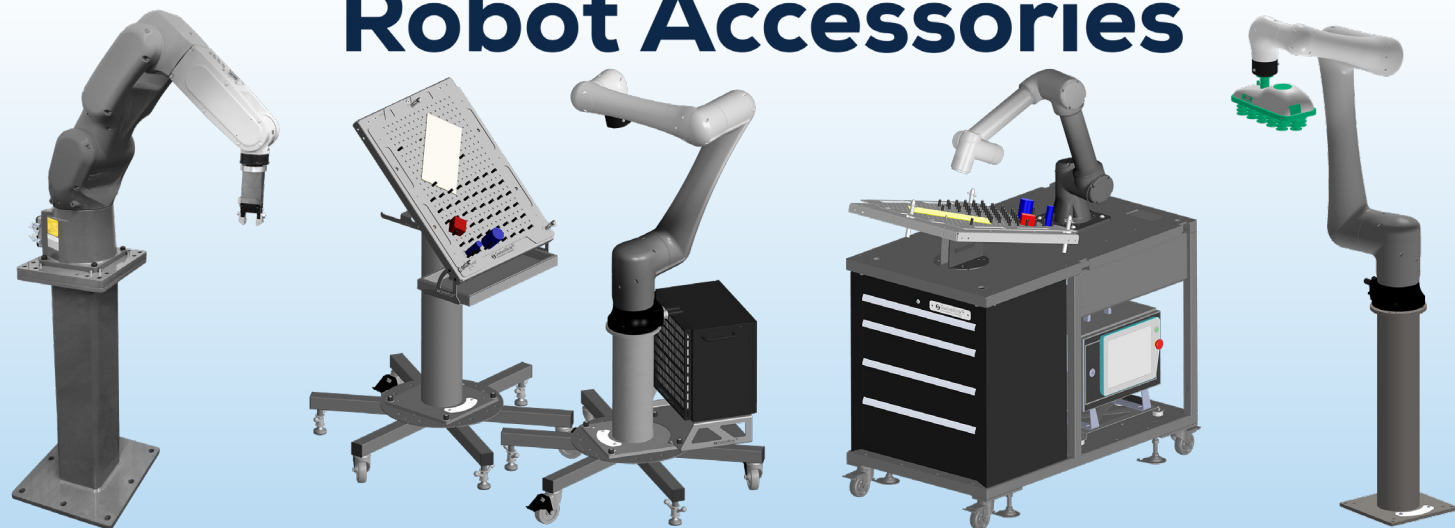
Custom EOAT



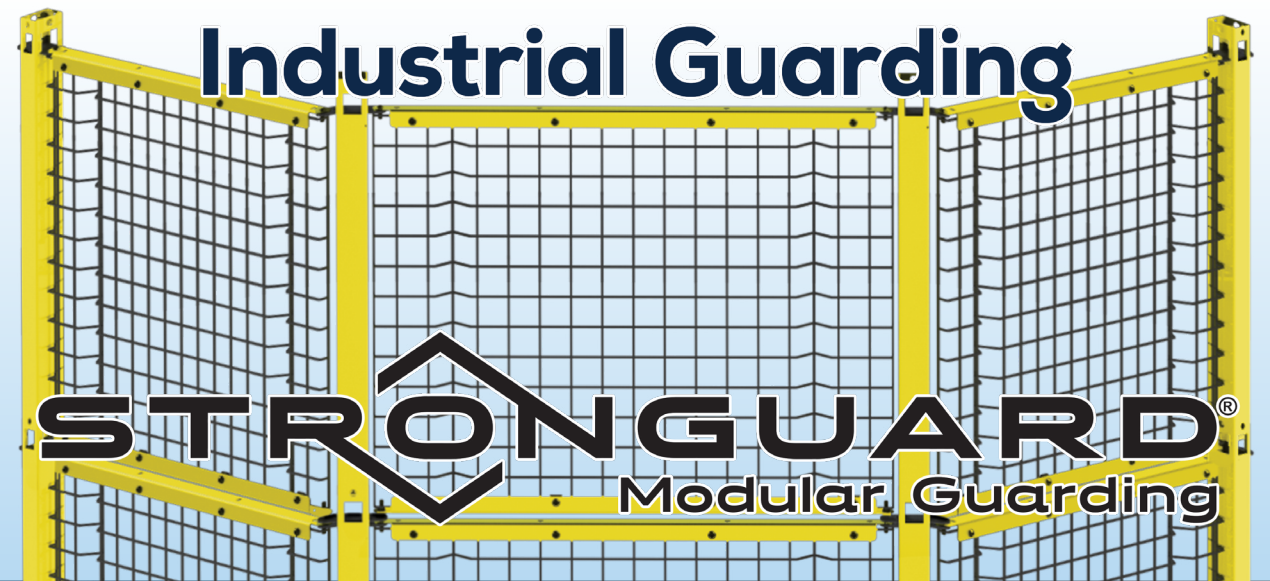
Safety Devices



Robot Accessories



Industrial Guarding

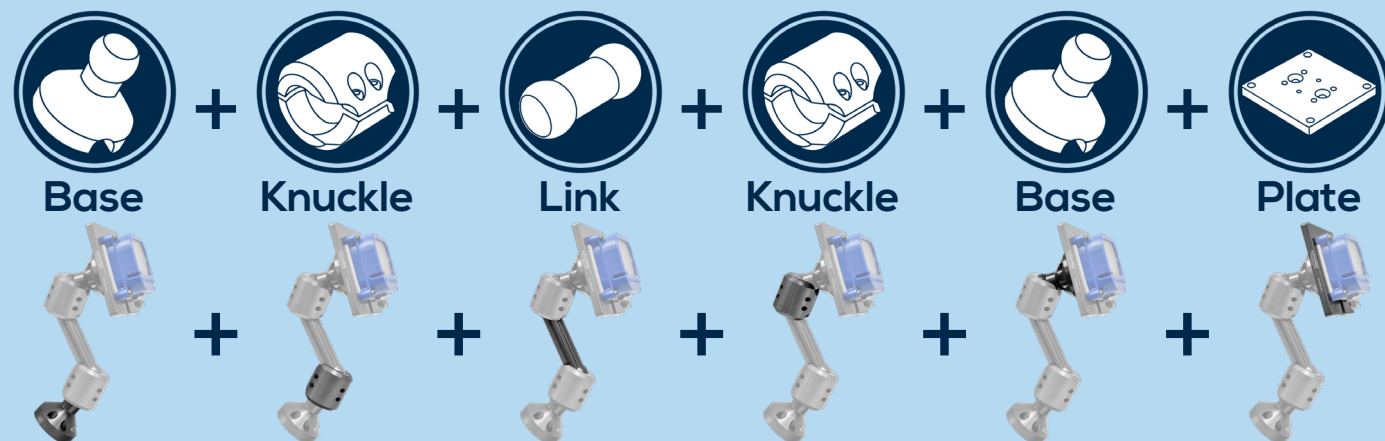




Swivellink mounting arms are the preferred choice for mounting vision products. There are several key features to take advantage of.

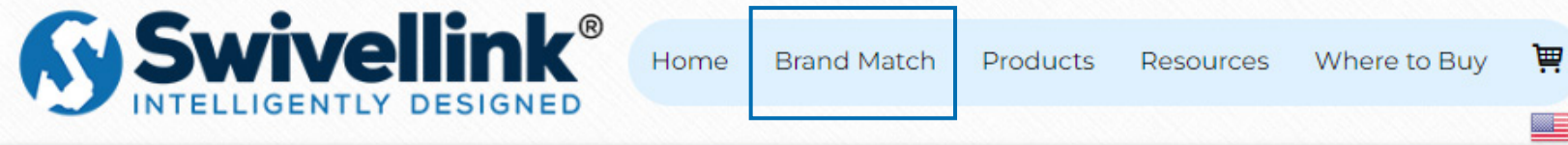
- Available in three sizes (XS, Standard, Heavy Duty)
- Available in Metric or Imperial
- Thru hole for wire management and protection
- Easy to install and adjust
- Several mounting plate options available
- Sold worldwide

Create Your Swivellink Mount!



Use the Brand Match tab on our website to find the plate that fits your camera, light, or sensor brand & model.

swivellink.com/product-brand-match



PRODUCT BRAND MATCH

You can filter by brand or search by model number

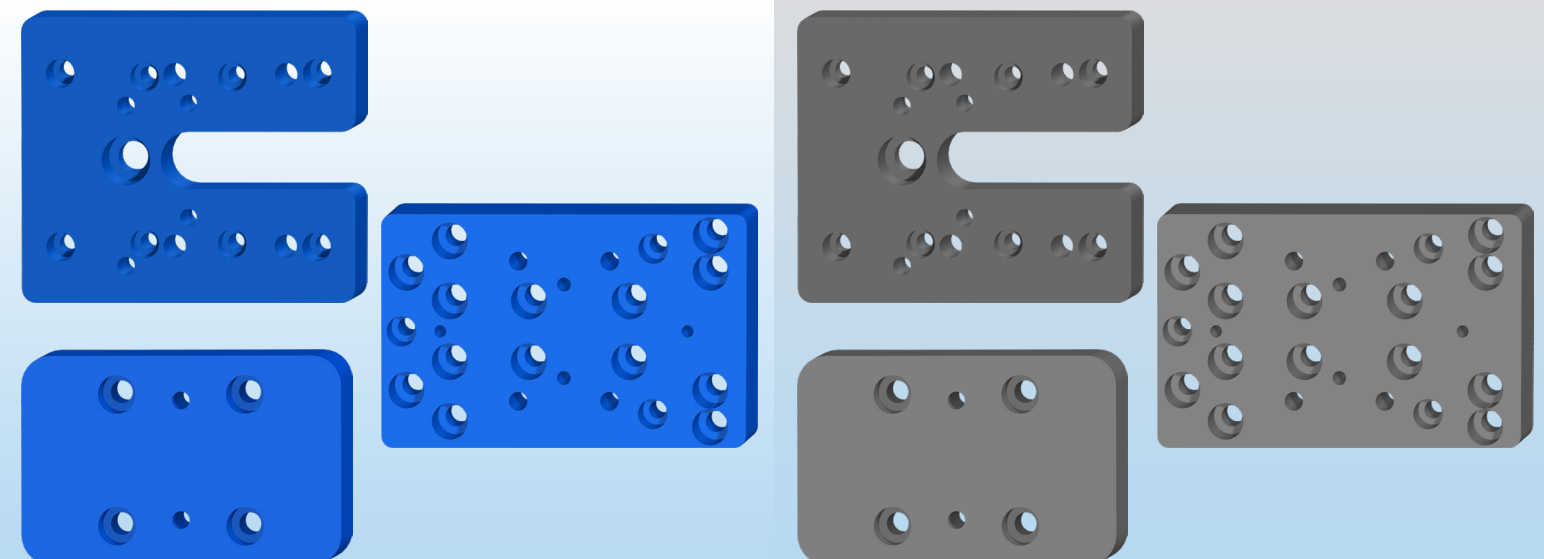
Brand Match

All
 Imperial
 Metric

Brand	Mounting Plate/Adapter	Imperial or Metric	Mounts to
Manufacturer	Model #	Imperial	AFSB-621-L300
Manufacturer	Model #	Metric	SLM-621-L300

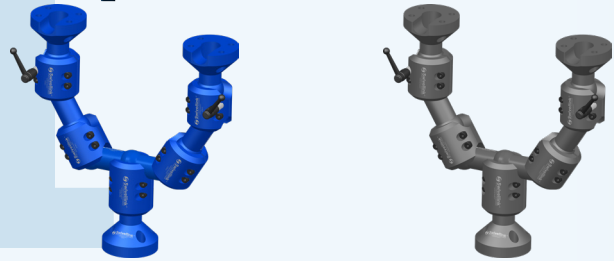
Clicking on the plate name will take you to the product page for that plate.

Plates are available in both Imperial (AFSB) & Metric (SLM) series



Step 1.

Imperial or Metric



When creating a Swivellink® mount the first thing you must decide is Imperial or Metric. The imperial will come with standard/English hardware and be blue in color. The metric will come with metric hardware and be gray in color. The screws supplied for the plates will vary between standard and metric depending on what the attached component requires.

HD Series is not currently available in Metric.

Step 2.

Standard or Small

After you decide on a Metric or Imperial mount, the next thing is size. Swivellink® offers three different sizes to choose from that should allow you to find an option for most applications. The XS series is designed for light weight components. The Standard series is designed for light to medium weight components. The HD series is designed for medium to heavy weight components.

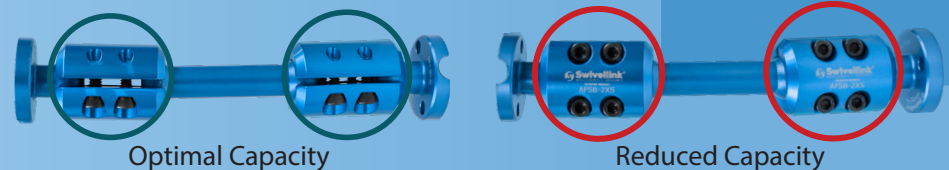
Below are some things to consider when choosing a size.

- Amount of weight the mount will be holding
- The overall length of the mount required
- Is there any vibration or motion where the Swivellink® arm will be mounted
- The area you have to work with

Strength may vary based on applications & the overall length of the mount:

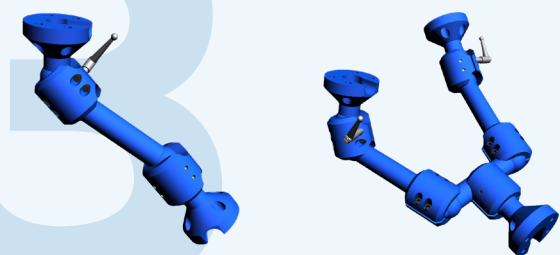
- **XS** – estimated hold weight 1-3 lbs or 0.45-1.36 kg (not recommended in areas with motion or vibration)
- **Standard** – estimated hold weight 4-30 lbs or 1.8-13.6 kg
- **HD** – estimated hold weight 31-70 lbs or 14-31.75 kg (limited to single arm Imperial mounts)

For optimal strength make sure the space between the knuckles is running the opposite direction of the angle of the link.



Step 3.

Single or Dual arm



With our mounts you have the option for a single or dual arm setup. A single arm will hold one component and a dual arm will hold two components.

For example, a dual arm allows you to hold a camera and light on one mount.

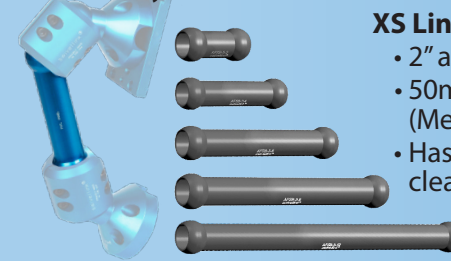
The knuckles needed for your mount are dependent on whether it's single or dual arm and the series of parts it's made of.

(HD series is only available as single arm Imperial mounts)

Step 4.

Link Sizes

Swivellink® offers different link sizes to help find that perfect length for most applications. Links are used with knuckles to extend the reach and increase the flexibility. The links are hollow to continue the cable routing ability.

**XS Link Options:**

- 2" and 4" (Imperial Series)
- 50mm and 100mm (Metric Series)
- Has 1/4" or 6.35mm hole clearance for cables

Standard Link Options:

- 2", 4", 6", 8", 12" (Imperial Series)
- 50mm, 100mm, 150mm, 200mm, 300mm (Metric Series)
- AFSB-3TSL-0610 (Imperial) & SLM-3TSL-150250 (Metric) Telescoping links
- Has 3/4" or 19.05mm hole clearance for cables

HD Link Options:

- 4" (Imperial Series)
- Has 7/8" hole clearance for cables
- Not available in Metric

Step 5.

Mounting Plate

The mounting plate is what the component will attach to. Please see pages 7-18 for different mounting plate options and page 5 for the different brands we have plates for.

Most of our plates come with hardware to mount the specified camera/light/sensor/etc listed on the plate. We also have blank plates available for custom setups.

Please keep in mind that we machine our own parts so we can design custom plates and parts when needed. Please contact your local distributor for a quote.



Step 6.

Tools

When you have completed your kit we have a few accessories to decide on that might be handy.

We have a clamp base available when wanting to setup your mount for a quick setup and tear down.

Will work on surfaces 3/4" – 2" or 19mm - 50mm thick.



We have T-Handles available for tightening knuckles.

We also have a clamp handle available to help make quick adjustments in the positioning of the arms.

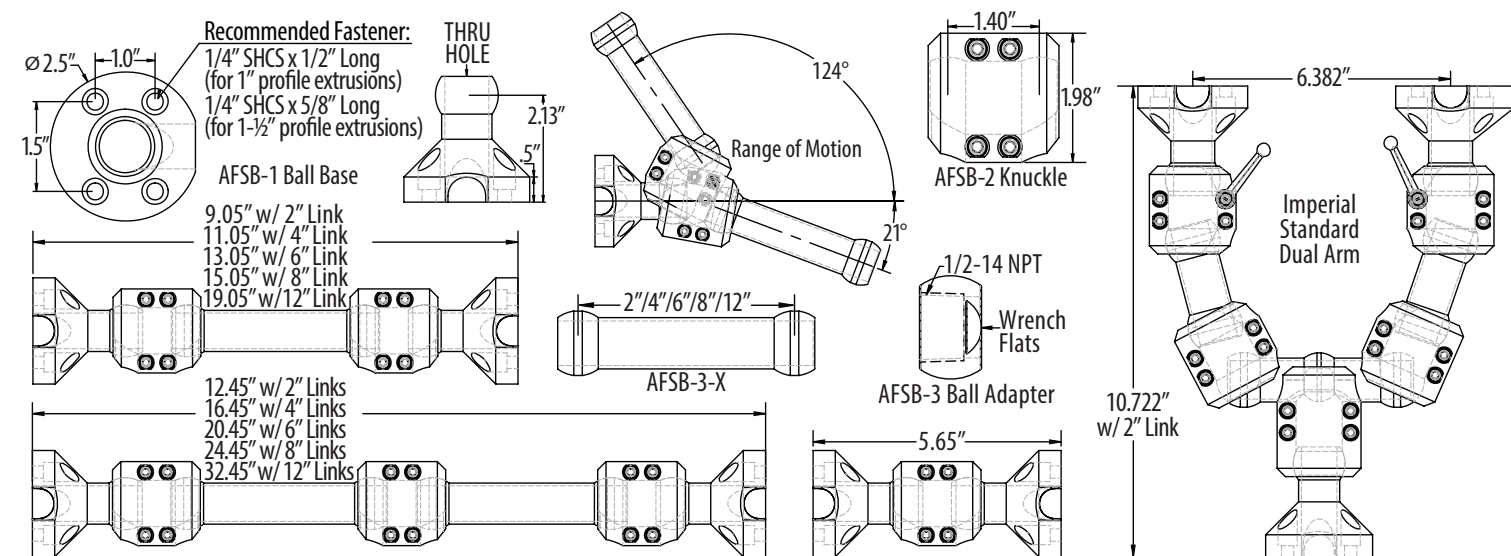
To use the clamp handle, remove one of the screws out of the knuckle and add the spacer and handle. Once the position is set, tighten the remaining screws. The handle and spacer can then be removed and the original screw can be re-inserted, or the handle can be left on the knuckle.

Removing the clamp handle only works with the standard series knuckle, the XS series will move out of position if you take the handle out to insert the regular screw.

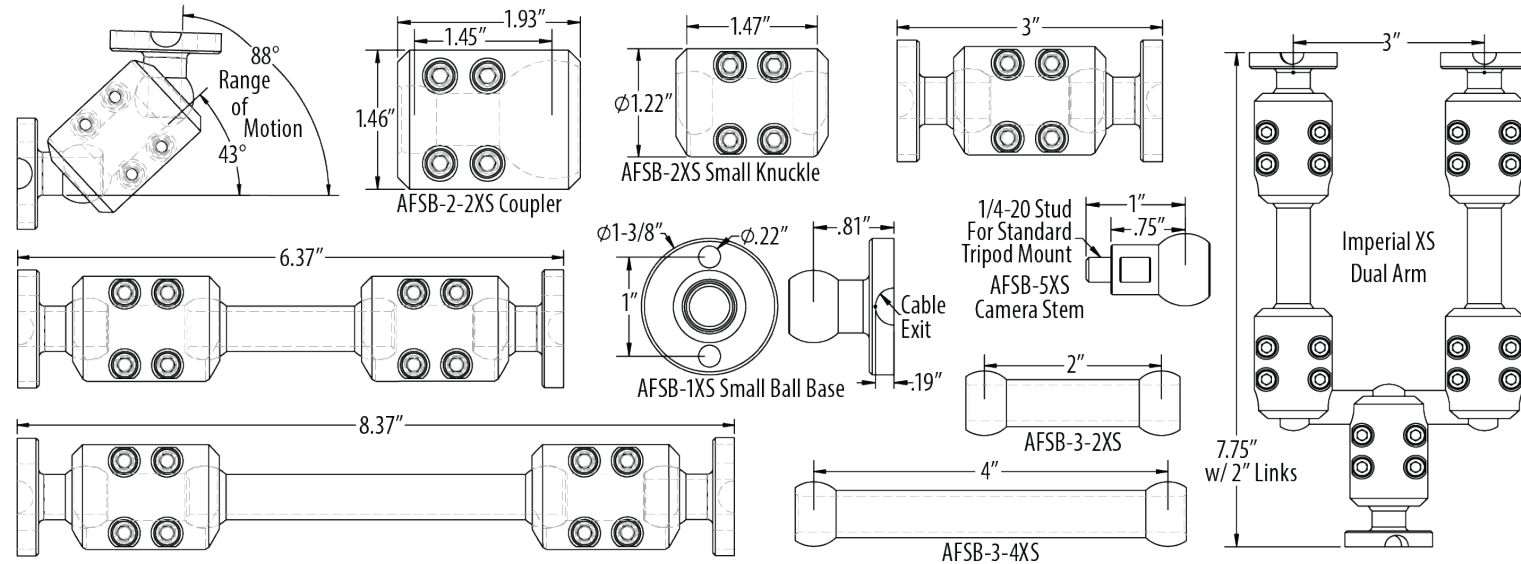


Be sure to visit the Brand match section on our website as we are always adding new brands and plates.

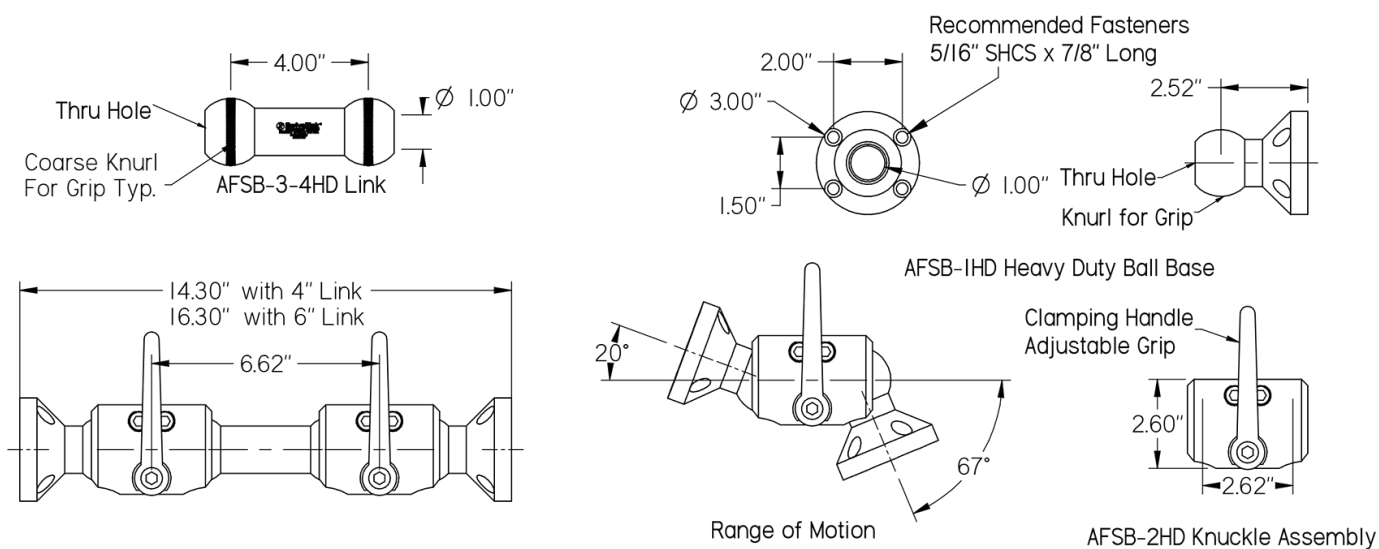
STANDARD SERIES



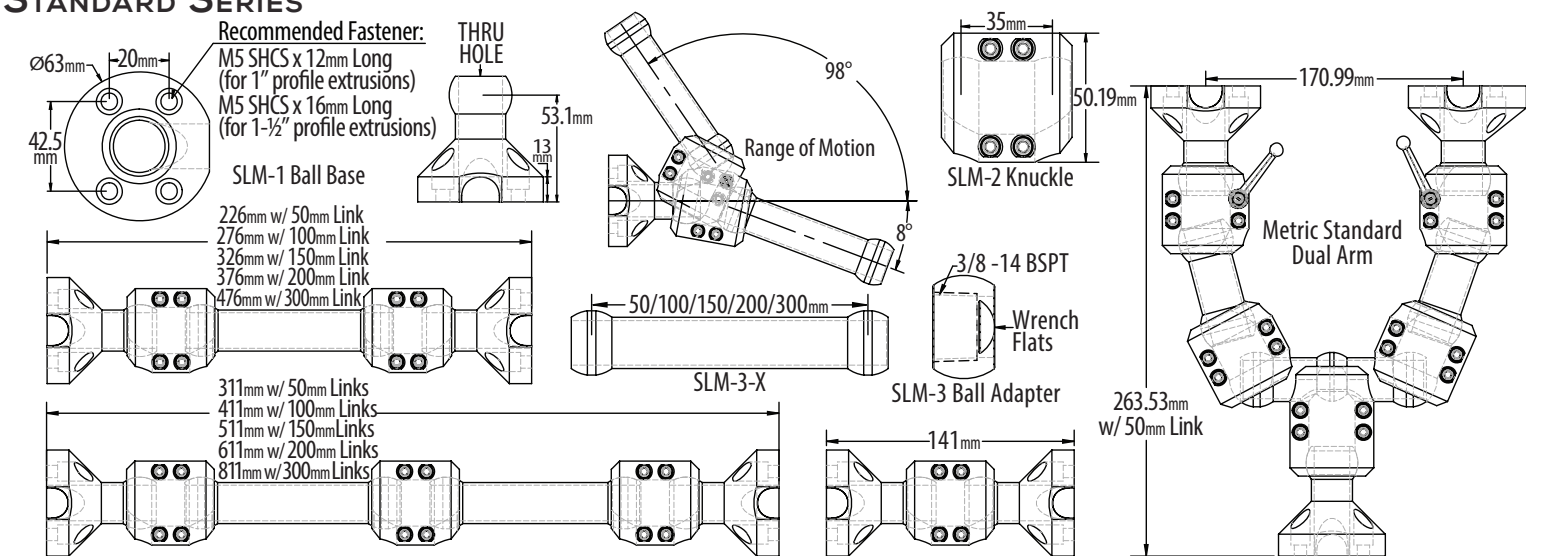
XS SERIES



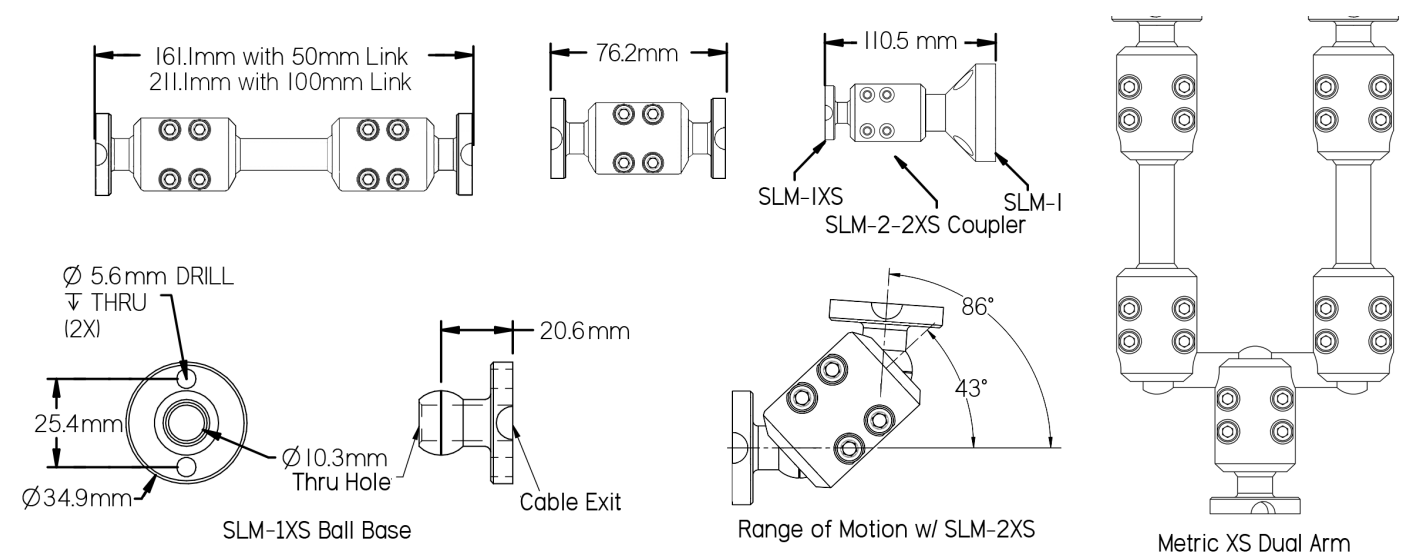
HD SERIES



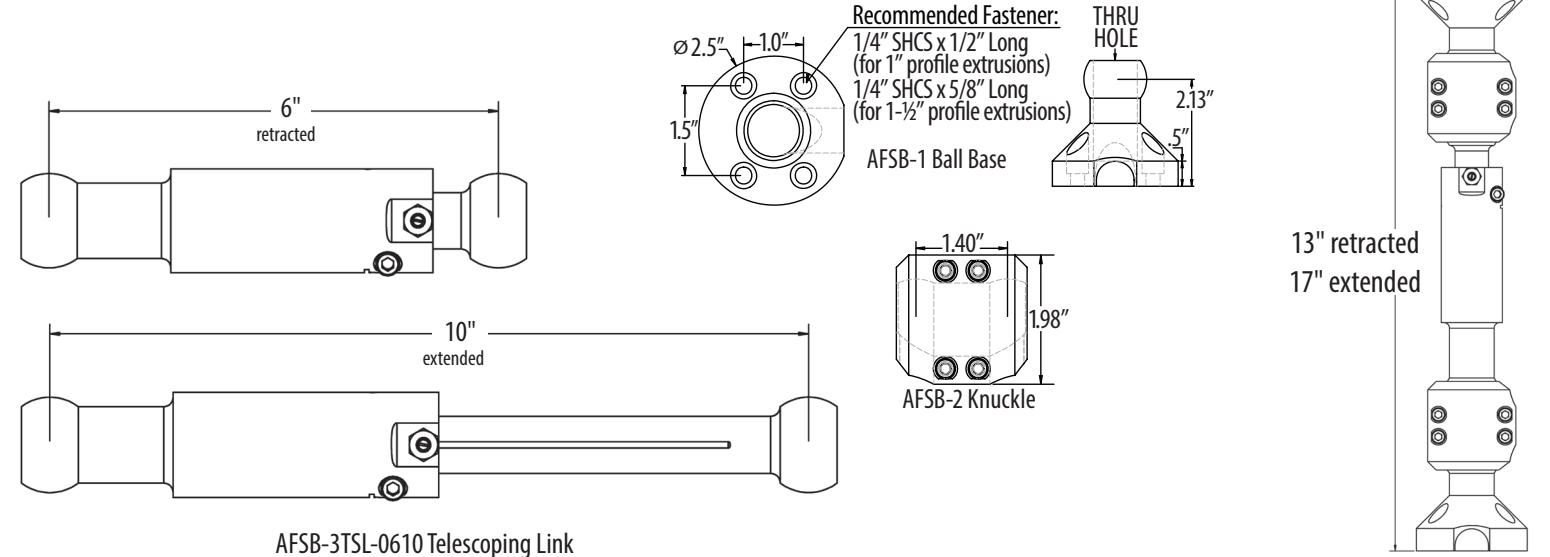
STANDARD SERIES



XS SERIES



STANDARD SERIES



IMPERIAL		METRIC	
Part #	Description	Part #	Description
Bases			
AFSB-1	Standard Ball Base	SLM-1	Standard Ball Base
AFSB-1XS	Small Ball Base	SLM-1XS	Small Ball Base
AFSB-1HD	Heavy Duty Ball Base	----	----
AFSB-1-15	Ball Base For Aluminum Extrusion	SLM-1-40	Ball Base For Aluminum Extrusion
Knuckles			
AFSB-2	Standard Knuckle	SLM-2	Standard Knuckle
AFSB-290	Standard Tee Knuckle	SLM-290	Standard Tee Knuckle
AFSB-2XS	Small Knuckle	SLM-2XS	Small Knuckle
AFSB-2XS90	Small Tee Knuckle	SLM-2XS90	Small Tee Knuckle
AFSB-2HD	Heavy Duty Knuckle	----	----
AFSB-2-2XS	Coupler	SLM-2-2XS	Coupler
Links			
AFSB-3-2	2" Link	SLM-3-50	50mm Link
AFSB-3-4	4" Link	SLM-3-100	100mm Link
AFSB-3-6	6" Link	SLM-3-150	150mm Link
AFSB-3-8	8" Link	SLM-3-200	200mm Link
AFSB-3-12	12" Link	SLM-3-300	300mm Link
AFSB-3T	Tee Link	SLM-3T	Tee Link
AFSB-3-2XS	Small 2" Link	SLM-3-50XS	Small 50mm Link
AFSB-3-4XS	Small 4" Link	SLM-3-100XS	Small 100mm Link
AFSB-3XST	Small Tee Link	SLM-3XST	Small Tee Link
AFSB-3-4HD	Heavy Duty 4" Link	----	----
AFSB-3-6HD	Heavy Duty 6" Link	----	----
AFSB-3TSL-0610	Telescoping Link	SLM-3TSL-150250	Telescoping Link

IMPERIAL		METRIC		Fits
Imperial #	Mounts to	Metric #	Mounts to	
Adapters				
AFSB-2-2XS	Imperial Standard or XS ball ends	SLM-2-2XS	Metric Standard or XS ball ends	This coupler connects a standard size ball to an XS series ball. This is great for mixing and matching to meet your needs.
AFSB-3	AFSB-2, AFSB-290, AFSB-2-2XS	SLM-3	SLM-2, SLM-290, SLM-2-2XS	A ball adapter that can only be used with a 1/2" NPT threaded pipe (Imperial) or a 3/8-19 BSPT (Metric) to acquire any length necessary.
AFSB-12-28.5	AFSB-2, AFSB-2XS	----	----	Allows the 28.5MM ball to fit into AFSB-2 or AFSB-290 for a large range of motion.
Button Mount				
AFSB-4	AFSB-2, AFSB-290	SLM-4	SLM-2, SLM-290	Protects button from damage w/ threaded M30 x 1.5 & room for the cable connection inside.
Table Clamps				
AFSB-CB	AFSB-1, AFSB-1XS	SLM-CB	SLM-1, SLM-1XS	Can be used to mount any Swivellink to the side of a table & includes a tightening knob.
Handles				
AFSB-CLAMP HANDLE	AFSB-2, AFSB-290, AFSB-2XS, AFSB-2XS90, AFSB-2-2XS	SLM-CLAMP HANDLE	SLM-2, SLM-290, SLM-2XS, SLM-2XS90, SLM-2-2XS	The clamp handle kit can be used in the standard and XS series knuckles to make quick adjustments in the positioning of the arms. Remove one of the screws of the knuckle and add the spacer and handle. Once the position is set, tighten the remaining screws. The handle and spacer can then be removed and the original screw can be re-inserted, or the handle can be left on the knuckle.
Tools				
SL-0316-T	---	---	---	The 3/16 T-Handle wrench is used on the standard series to mount the AFSB-1 Ball Base to all of the standard series plates.
SL-0532-T	---	---	---	The 5/32 T-Handle wrench is for screws in all the standard series and XS series knuckles (AFSB-2, AFSB-290, AFSB-2XS, AFSB-2XS90, and AFSB-2-2XS) as well as the AFSB-1XS Ball Base mounting to the XS series mounting plates.
---	---	SLM-4MMT	---	The 4mm T-Handle is used in all metric series knuckles and to mount metric ball bases to metric mounting plates.

IMPERIAL		METRIC		Description/Fits
Part #	Mounts to	Part #	Mounts to	
Sensor Mounts				
AFSB-7	AFSB-2, AFSB-290, AFSB-2-2XS	SLM-7	SLM-2, SLM-290, SLM-2-2XS	Fits: 30mm threaded barrel-type sensors
AFSB-7XS	AFSB-2XS, AFSB-2XS90, AFSB-2-2XS	SLM-7XS	SLM-2XS, SLM-2XS90, SLM-2-2XS	Fits: 12mm threaded barrel-type sensors
AFSB-8	AFSB-2, AFSB-290, AFSB-2-2XS	SLM-8	SLM-2, SLM-290, SLM-2-2XS	Fits: 18mm threaded barrel-type sensors
AFSB-8XS	AFSB-2XS, AFSB-2XS90, AFSB-2-2XS	SLM-8XS	SLM-2XS, SLM-2XS90, SLM-2-2XS	Fits: 8mm threaded barrel-type sensors
AFSB-SB-8	AFSB-SBH, AFSB-SBH-XS	SLM-SB-8	SLM-SBH, SLM-SBH-XS	Fits: 8mm threaded sensors
AFSB-SB-12	AFSB-SBH, AFSB-SBH-XS	SLM-SB-12	SLM-SBH, SLM-SBH-XS	Fits: 12mm threaded sensors
AFSB-SB-18	AFSB-SBH, AFSB-SBH-XS	SLM-SB-18	SLM-SBH, SLM-SBH-XS	Fits: 18mm threaded sensors
AFSB-SB-30	AFSB-SBH, AFSB-SBH-XS	SLM-SB-30	SLM-SBH, SLM-SBH-XS	Fits: 30mm threaded sensors
AFSB-SBH	AFSB-SB-30, AFSB-SB-18, AFSB-SB-12, AFSB-SB-8, AFSB-2, AFSB-290, AFSB-2-2XS	SLM-SBH	SLM-SB-30, SLM-SB-18, SLM-SB-12, SLM-SB-8, SLM-2, SLM-290, SLM-2-2XS	Standard sensor bracket holder
AFSB-SBH-XS	AFSB-SB-30, AFSB-SB-18, AFSB-SB-12, AFSB-SB-8, AFSB-2XS, AFSB-2XS90, AFSB-2-2XS	SLM-SBH-XS	SLM-SB-30, SLM-SB-18, SLM-SB-12, SLM-SB-8, SLM-2XS, SLM-2XS90, SLM-2-2XS	XS sensor bracket holder

IMPERIAL		METRIC	
Part #	Includes	Part #	Includes
Sensor Mounting Kits			
AFSB-1000-7	(1) AFSB-1 Ball Base, (1) AFSB-2 Knuckle, (1) AFSB-7 Sensor	SLM-1000-7	(1) SLM-1 Ball Base, (1) SLM-2 Knuckle, (1) SLM-7 Sensor
AFSB-1000-7XS	(1) AFSB-1XS Ball Base, (1) AFSB-2XS Knuckle, (1) AFSB-7XS Sensor	SLM-1000-7XS	(1) SLM-1XS Ball Base, (1) SLM-2XS Knuckle, (1) SLM-7XS Sensor
AFSB-1000-8	(1) AFSB-1 Ball Base, (1) AFSB-2 Knuckle, (1) AFSB-8 Sensor	SLM-1000-8	(1) SLM-1 Ball Base, (1) SLM-2 Knuckle, (1) SLM-8 Sensor
AFSB-1000-8XS	(1) AFSB-1XS Ball Base, (1) AFSB-2XS Knuckle, (1) AFSB-8XS Sensor	SLM-1000-8XS	(1) SLM-1XS Ball Base, (1) SLM-2XS Knuckle, (1) SLM-8XS Sensor
Sensor Bracket Kits			
AFSB-1000-SBKIT-8	(1) AFSB-1XS Base, (1) AFSB-2XS Knuckle, (1) AFSB-SBH-XS Sensor Holder, (1) AFSB-SB-8 Sensor Bracket	SLM-1000-SBKIT-8	(1) SLM-1XS Base, (1) SLM-2XS Knuckle, (1) SLM-SBH-XS Sensor Holder, (1) SLM-SB-8 Sensor Bracket
AFSB-1000-SBKIT-12	(1) AFSB-1XS Base, (1) AFSB-2XS Knuckle, (1) AFSB-SBH-XS Sensor Holder, (1) AFSB-SB-12 Sensor Bracket	SLM-1000-SBKIT-12	(1) SLM-1XS Base, (1) SLM-2XS Knuckle, (1) SLM-SBH-XS Sensor Holder, (1) SLM-SB-12 Sensor Bracket
AFSB-1000-SBKIT-18	(1) AFSB-1 Base, (1) AFSB-2 Knuckle, (1) AFSB-SBH Sensor Holder, (1) AFSB-SB-18 Sensor Bracket	SLM-1000-SBKIT-18	(1) SLM-1 Base, (1) SLM-2 Knuckle, (1) SLM-SBH Sensor Holder, (1) SLM-SB-18 Sensor Bracket
AFSB-1000-SBKIT-30	(1) AFSB-1 Base, (1) AFSB-2 Knuckle, (1) AFSB-SBH Sensor Holder, (1) AFSB-SB-30 Sensor Bracket	SLM-1000-SBKIT-30	(1) SLM-1 Base, (1) SLM-2 Knuckle, (1) SLM-SBH Sensor Holder, (1) SLM-SB-30 Sensor Bracket

IMPERIAL		METRIC	
Part #	Description/Includes	Part #	Description/Includes
Single Arm Kits			
These kits are made ready to mount any standard series mounting plate. Plates must be ordered separate. Kits come with (1) Clamp Handle.			
AFSB-1002	(2) AFSB-1 Bases, (2) AFSB-2 Knuckles, (1) AFSB-3-2 Link	SLM-10050	(2) SLM-1 Bases, (2) SLM-2 Knuckles, (1) SLM-3-50 Link
AFSB-1002XS	(2) AFSB-1XS Bases, (2) AFSB-2XS Knuckles, (1) AFSB-3-2XS Link	SLM-10050XS	(2) SLM-1XS Bases, (2) SLM-2XS Knuckles, (1) SLM-3-50XS Link
AFSB-1004	(2) AFSB-1 Bases, (2) AFSB-2 Knuckles, (1) AFSB-3-4 Link	SLM-100100	(2) SLM-1 Bases, (2) SLM-2 Knuckles, (1) SLM-3-100 Link
AFSB-1004XS	(2) AFSB-1XS Bases, (2) AFSB-2XS Knuckles, (1) AFSB-3-4XS Link	SLM-100100XS	(2) SLM-1XS Bases, (2) SLM-2XS Knuckles, (1) SLM-3-100XS Link
AFSB-1006	(2) AFSB-1 Bases, (2) AFSB-2 Knuckles, (1) AFSB-3-6 Link	SLM-100150	(2) SLM-1 Bases, (2) SLM-2 Knuckles, (1) SLM-3-150 Link
AFSB-1008	(2) AFSB-1 Bases, (2) AFSB-2 Knuckles, (1) AFSB-3-8 Link	SLM-100200	(2) SLM-1 Bases, (2) SLM-2 Knuckles, (1) SLM-3-200 Link
AFSB-10012	(2) AFSB-1 Bases, (2) AFSB-2 Knuckles, (1) AFSB-3-12 Link	SLM-100300	(2) SLM-1 Bases, (2) SLM-2 Knuckles, (1) SLM-3-300 Link
AFSB-1000-3TSL	(2) AFSB-1 Ball Base, (2) AFSB-2 Knuckle, (1) AFSB-3TSL-0610 Telescoping Link	SLM-1000-3TSL	(2) SLM-1 Ball Base, (2) SLM-2 Standard Knuckle, (1) SLM-3TSL-150250 Telescoping Link
Dual Arm Kits			
These kits utilize the Tee Knuckle so you can mount both a camera and a light. Plates must be ordered separate. Kits come with (2) Clamp Handles.			
AFSB-1102	(3) AFSB-1 Bases, (4) AFSB-2 Knuckles, (1) AFSB-290 Tee Knuckle, (1) AFSB-3T Tee Link, (2) AFSB-3-2 Links	SLM-11050	(3) SLM-1 Bases, (4) SLM-2 Knuckles, (1) SLM-290 Tee Knuckle, (1) SLM-3T Tee Link, (2) SLM-3-50 Links
AFSB-1102XS	(3) AFSB-1XS Bases, (5) AFSB-2XS90 Knuckles, (1) AFSB-3XST Tee Link, (2) AFSB-3-2XS Link	SLM-11050XS	(3) SLM-1XS Bases, (5) SLM-2XS90 Knuckles, (1) SLM-3XST Tee Link, (2) SLM-3-50XS Link
AFSB-1104	(3) AFSB-1 Bases, (4) AFSB-2 Knuckles, (1) AFSB-290 Tee Knuckle, (1) AFSB-3T Tee Link, (2) AFSB-3-4 Links	SLM-110100	(3) SLM-1 Bases, (4) SLM-2 Knuckles, (1) SLM-290 Tee Knuckle, (1) SLM-3T Tee Link, (2) SLM-3-100 Links
AFSB-1104XS	(3) AFSB-1XS Bases, (5) AFSB-2XS90 Knuckles, (1) AFSB-3XST Tee Link, (2) AFSB-3-4XS Link	SLM-110100XS	(3) SLM-1XS Bases, (5) SLM-2XS90 Knuckles, (1) SLM-3XST Tee Link, (2) SLM-3-100XS Link
AFSB-1106	(3) AFSB-1 Bases, (4) AFSB-2 Knuckles, (1) AFSB-290 Tee Knuckle, (1) AFSB-3T Tee Link, (2) AFSB-3-6 Links	SLM-110150	(3) SLM-1 Bases, (4) SLM-2 Knuckles, (1) SLM-290 Tee Knuckle, (1) SLM-3T Tee Link, (2) SLM-3-150 Links
AFSB-1108	(3) AFSB-1 Bases, (4) AFSB-2 Knuckles, (1) AFSB-290 Tee Knuckle, (1) AFSB-3T Tee Link, (2) AFSB-3-8 Links	SLM-110200	(3) SLM-1 Bases, (4) SLM-2 Knuckles, (1) SLM-290 Tee Knuckle, (1) SLM-3T Tee Link, (2) SLM-3-200 Links
AFSB-11012	(3) AFSB-1 Bases, (4) AFSB-2 Knuckles, (1) AFSB-290 Tee Knuckle, (1) AFSB-3T Tee Link, (2) AFSB-3-12 Links	SLM-110300	(3) SLM-1 Bases, (4) SLM-2 Knuckles, (1) SLM-290 Tee Knuckle, (1) SLM-3T Tee Link, (2) SLM-3-300 Links
Operator Kits			
AFSB-1000-4	This kit has a M30 thread for mounting start or E-stop button. Includes: (1) AFSB-4 Button Base, (1) AFSB-1 Base, (1) AFSB-2 knuckle	SLM-1000-4	This kit has a M30 thread for mounting start or E-stop button. Includes: (1) SLM-4 Button Base, (1) SLM-1 Base, (1) SLM-2 knuckle
AFSB-1000-7	This kit has an AFSB-7 with a 30mm thread for mounting stack lights for status. Includes: (1) AFSB-7 Sensor Mount, (1) AFSB-1 Base, (1) AFSB-2 knuckle	SLM-1000-7	This kit has an SLM-7 with a 30mm thread for mounting stack lights for status. Includes: (1) SLM-7 Sensor Mount, (1) SLM-1 Base, (1) SLM-2 knuckle
AFSB-1002XS-5XS	Imperial Universal Tripod Small Single Arm Kit - Includes: (1) AFSB-1XS Base, (2) AFSB-2XS90 Tee Knuckle, (1) AFSB-3-2XS Link, (1) AFSB-5XS Camera Stem	SLM-10050XS-5XS	Metric Universal Tripod Small Single Arm Kit - Includes: (1) SLM-1XS Base, (2) SLM-2XS90 Tee Knuckle, (1) SLM-3-50XS Link, (1) SLM-5XS Camera Stem
AFSB-1044-9	This kit has a monitor mount for VESA 75mm and 100mm Includes: (1) AFSB-9 Plate, (2) AFSB-1 Bases, (3) AFSB-2 knuckles, (2) AFSB-3-4" Links.	SLM-100100100-9	This kit has a monitor mount for VESA 75mm and 100mm Includes: (1) SLM-9 Plate, (2) SLM-1 Bases, (3) SLM-2 knuckles, (2) SLM-3-100mm Link
AFSB-1100	This kit is a base Tee Link kit ready for additions. Includes: (1) AFSB-1 base, (1) AFSB-290 T-Knuckle, (1) AFSB-3T T-Link, (2) AFSB-2 knuckle	SLM-1100	This kit is a base Tee Link kit ready for additions. Includes: (1) SLM-1 base, (1) SLM-290 T-Knuckle, (1) SLM-3T T-Link, (2) SLM-2 Knuckle
AFSB-1100-4	This kit has 2 AFSB-4 which have M30 threads for mounting start/stop buttons. Includes: (2) AFSB-4 Button Bases, (1) AFSB-1 Base, (1) AFSB-290 T-knuckle, (1) AFSB-3T T-Link, (2) AFSB-2 knuckle	SLM-1100-4	This kit has 2 SLM-4 which have M30 threads for mounting start/stop buttons. Includes: (2) SLM-4 Button Bases, (1) SLM-1 Base, (1) SLM-290 T-knuckle, (1) SLM-3T T-Link, (2) SLM-2 Knuckle
AFSB-1102XS-5XS	Imperial Universal Tripod Small Dual Arm Kit - Includes: (2) AFSB-1XS Base, (5) AFSB-2XS90 Tee Knuckle, (2) AFSB-3-2XS Link, (1) AFSB-5XS Camera Stem	SLM-11050XS-5XS	Metric Universal Tripod Small Dual Arm Kit - Includes: (2) SLM-1XS Base, (5) SLM-2XS90 Tee Knuckle, (2) SLM-3-50XS Link, (1) SLM-5XS Camera Stem

The Swivellink® demo kit is a must have for research development, maintenance, spare parts, and showing equipment to a first time user.
Each Demo Kit comes with 2 mounting plates.

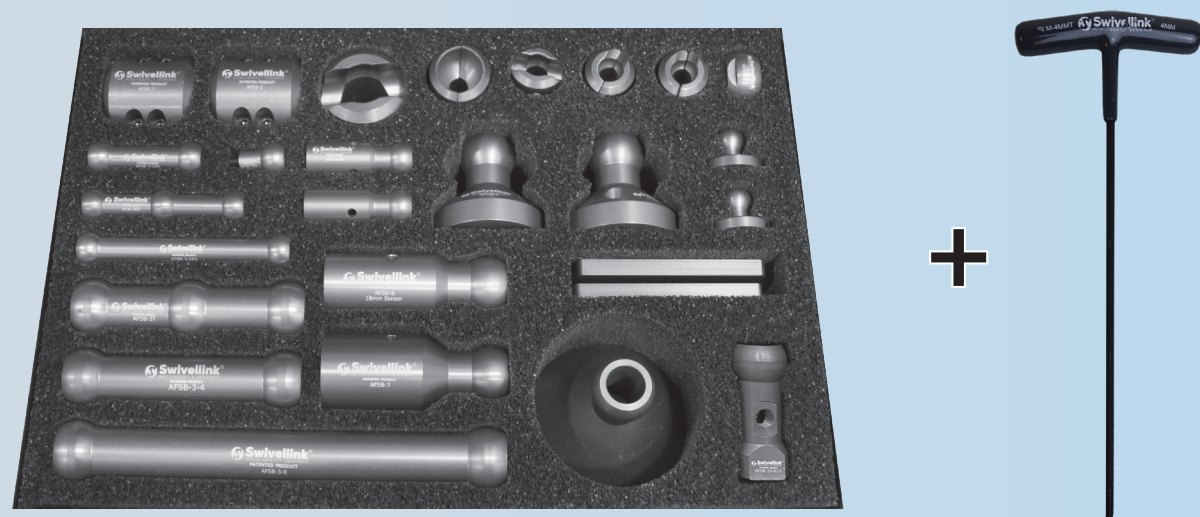
IMPERIAL SL-DEMO CASE



IMPERIAL SL-NP20-DEMO CASE

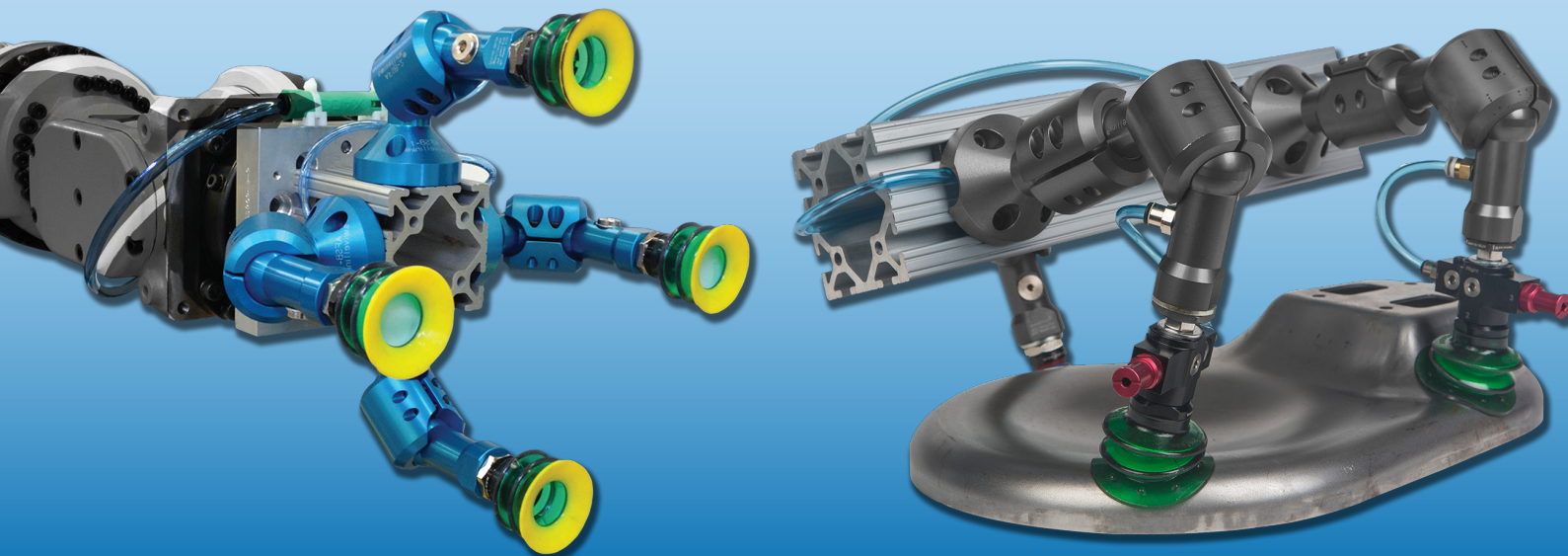


METRIC SLM-DEMO CASE



METRIC SLM-NP20-DEMO CASE



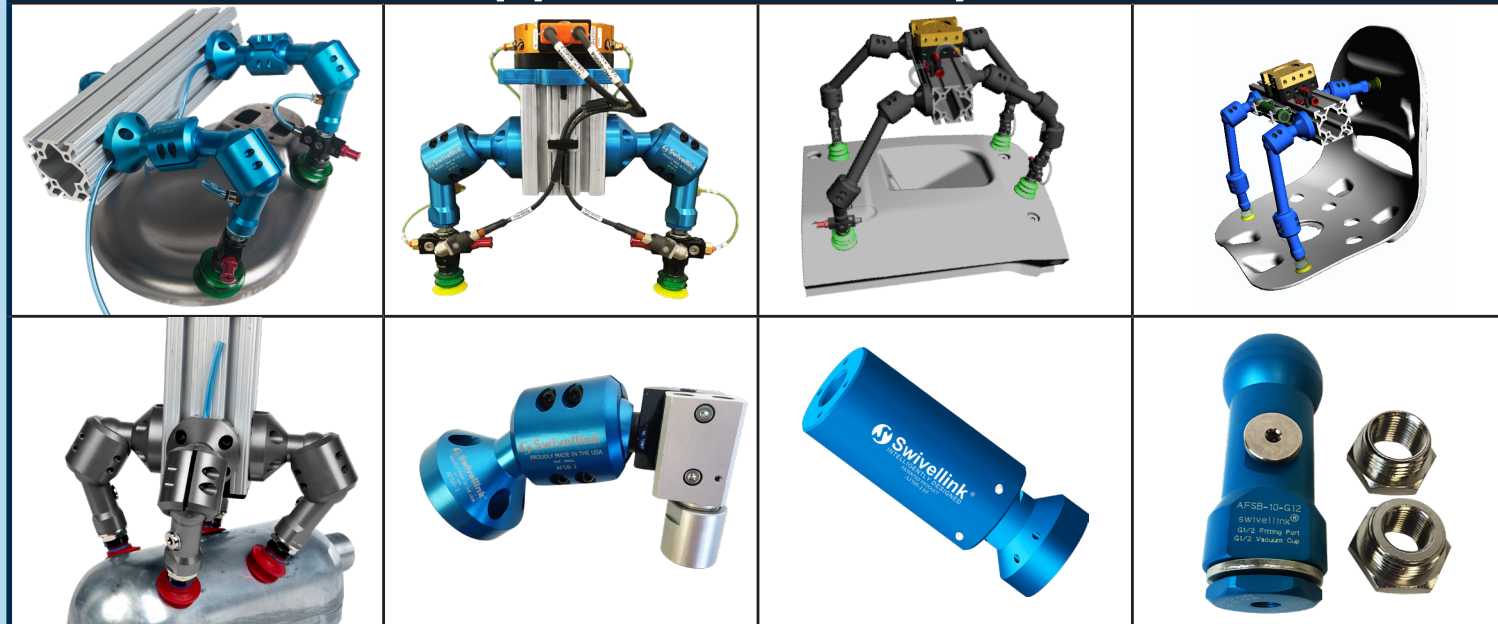


Creating your own EOAT has never been easier.
Our vacuum kits include everything needed to add vacuum to any standard series product.

**Does not include vacuum cups or hoses.*

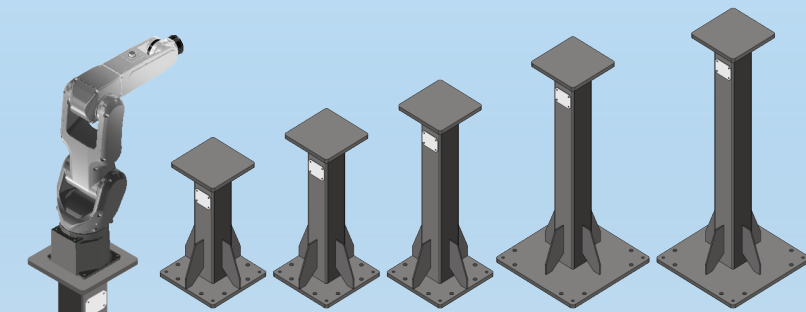
- Multiple kit variations to fit your needs.
- The supply hose routes back through the Swivellink components for a clean and reliable solutions with no exposed hoses.
- Design a centralized or decentralized setup.
- Side port allows the pressure supply to run internally and the only exposed hose is at the gripper.
- Can be redesigned and used for multiple applications.
- Available in Metric or Imperial

Application Examples



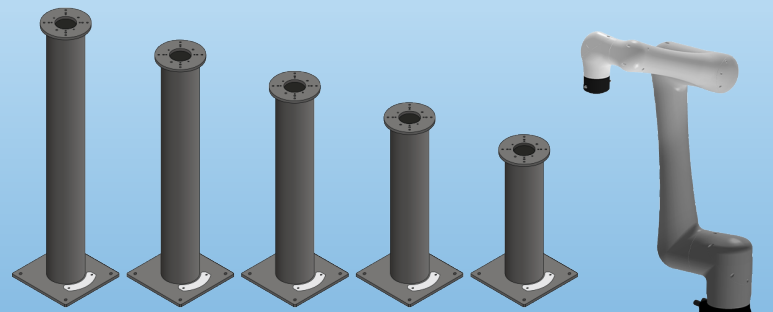
IMPERIAL		METRIC	
Part #	Description	Part #	Description
Kits - Vacuum components not included			
AFSB-10-V	Vacuum adaptor with G1/2 fitting, G1/4 fitting, G3/8 fitting, and M8 fitting, special adaptor for mounting de-centralized vacuum grippers with M8 stud	SLM-10-V	Vacuum adaptor with G1/2 fitting, G1/4 fitting, G3/8 fitting, and M8 fitting, special adaptor for mounting de-centralized vacuum grippers with M8 stud
AFSB-10-V12	Vacuum adaptor with G1/2 fitting	SLM-10-V12	Vacuum adaptor with G1/2 fitting
AFSB-10-V14	Vacuum Adaptor with G1/4 fitting	SLM-10-V14	Vacuum Adaptor with G1/4 fitting
AFSB-10-V38	Vacuum adaptor with G3/8 fitting	SLM-10-V38	Vacuum adaptor with G3/8 fitting
AFSB-10-VM8	Vacuum adaptor with M8 fitting	SLM-10-VM8	Vacuum adaptor with M8 fitting
AFSB-1000-10-V	This kit adds a knuckle and a ball base to the AFSB-10-V for a great start to building your vacuum gripper. By adding links and knuckles, this kit can be extended to fit most any need. Includes: (1) AFSB-10-V Vacuum Kit, (1) AFSB-1 base, (1) AFSB-2 knuckle.	SLM-1000-10-V	This kit adds a knuckle and a ball base to the SLM-10-V for a great start to building your vacuum gripper. By adding links and knuckles, this kit can be extended to fit most any need. Includes: (1) SLM-10-V Vacuum Kit, (1) SLM-1 base, (1) SLM-2 knuckle.
AFSB-EOAT-KIT	This kit is ready to add a robot mounting plate and vacuum cups to create a 4 arm vacuum gripper. Includes: (4) AFSB-1000-10-V gripper arms, Aluminum Extrusion, and bottom cap	SLM-EOAT-KIT	This kit is ready to add a robot mounting plate and vacuum cups to create a 4 arm vacuum gripper. Includes: (4) SLM-1000-10-V gripper arms, Aluminum Extrusion, and bottom cap
Robot Face Adapter Plates			
AFSB-100-EOAT	This adapter plate mounts to the robot adapter plate and to aluminum 1.5" and 1.0" series extrusions either vertically or horizontally. This plate can also mount (2) or (4) AFSB-1000-10-V vacuum arms directly onto the plate instead of using the aluminum extrusion.	SLM-100-EOAT	This adapter plate mounts to robot adapter plate and to aluminum 1.5" and 1.0" series extrusions either vertically or horizontally. This plate can also mount (2) or (4) SLM-1000-10-V vacuum arms directly onto the plate instead of using the aluminum extrusion.
AFSB-101-M6X4-50	This adapter plate mounts to the ISO 50 style robots. This plate can also mount (4) AFSB-1000-10-V vacuum arms directly onto the plate. (Pattern is (4) M6 Bolts)	SLM-101-M6X4-50	This adapter plate mounts to the ISO 50 style robots. This plate can also mount (4) SLM-1000-10-V vacuum arms directly onto the plate. (Pattern is (4) M6 Bolts)
AFSB-102-ISO 50	Fits: ISO 50 + (1) AFSB-1000-10-V vacuum arm mounting pattern	SLM-102-ISO 50	Fits: ISO 50 + (1) SLM-1000-10-V vacuum arm mounting pattern
AFSB-103-M5X4-31.5	This adaptor plate mounts to the ISO 31.5 style robots. This plate can also mount (4) AFSB-1000-10-V vacuum arms directly to the plate. Pattern is (4) M5 bolts)	SLM-103-M5X4-63	This adaptor plate mounts to the ISO 31.5 style robots. This plate can also mount (4) SLM-1000-10-V vacuum arms directly to the plate. Pattern is (4) M5 bolts)
AFSB-104-M6X4-40	This adaptor plate mounts to the ISO 40 style robots. This plate can also mount (4) AFSB-1000-10-V vacuum arms directly to the plate. Pattern is (4) M6 bolts)	SLM-104-M6X4-40	This adaptor plate mounts to the ISO 40 style robots. This plate can also mount (4) SLM-1000-10-V vacuum arms directly to the plate. Pattern is (4) M6 bolts)
AFSB-105-M6X4-63	This adaptor plate mounts to the ISO 63 style robots. This plate can also mount (4) AFSB-1000-10-V vacuum arms directly to the plate. Pattern is (4) M6 bolts)	SLM-105-M6X4-63	This adaptor plate mounts to the ISO 63 style robots. This plate can also mount (4) SLM-1000-10-V vacuum arms directly to the plate. Pattern is (4) M6 bolts)
AFSB-106-ISO 80	Fits: ISO 80 + (1) AFSB-1000-10-V vacuum arm mounting pattern	SLM-106-ISO 50	Fits: ISO 80 + (1) SLM-1000-10-V vacuum arm mounting pattern
AFSB-107-M6X4-80	This adaptor plate mounts to the ISO 80 style robots. This plate can also mount (4) AFSB-1000-10-V vacuum arms directly onto the plate. (Pattern is (6) M8 Bolts)	SLM-107-M6X4-80	This adaptor plate mounts to the ISO 80 style robots. This plate can also mount (4) SLM-1000-10-V vacuum arms directly onto the plate. (Pattern is (6) M8 Bolts)
Compensators			
AFSB-112	Spring Loaded Compensator Assembly	SLM-112	Spring Loaded Compensator Assembly

Pedestals Ranging from 12" to 48" Tall in 6" Increments



STANDARD LINE

- Perfect for small fast-moving robots with industrial torque
- One mounting pattern machined in top plate per order if print/specification provided, otherwise comes with a blank top plate
- Optional extrusion kit available for accessory mounting



COBOT LINE

- Perfect for collaborative style robots
- CB200 series mounts the UR3, UR3E, UR5, UR5E, UR10, UR10E, UR16, UR16E, FANUC CRX-5iA, CRX-10iA, CRX-10iA/L, Omron TM5, TM12, TM14
- CB400 series mounts AUBO i3, i5, i10, and i16 robots
- CB600 series mounts FANUC CRX25 & UR20 robots
- Designed with a thru-hole for routing cables, providing a nice clean look

Holes for leveling and anchoring • RAL7010 Powder Coat Finish • Welded Construction

ROBOT PEDESTALS

Standard Series

Robot base must fit on 11"x11" plate.
Pedestal/robot mounting hardware not included.
Anchor hole size 3/4" - Leveling thread size 5/8-11UNC
Includes custom-drilled top plate
****Non-Returnable****

Part #	Description
RB-PED-24-CUSTOM	24" Standard Robot Pedestal
RB-PED-30-CUSTOM	30" Standard Robot Pedestal
RB-PED-36-CUSTOM	36" Standard Robot Pedestal
RB-PED-42-CUSTOM	42" Standard Robot Pedestal
RB-PED-48-CUSTOM	48" Standard Robot Pedestal

COBOT PEDESTALS

Pedestal/robot mounting hardware not included.
Anchor hole size 1/2" - Leveling thread size 1/2-13UNC

Part #	Description
RB-PED-12-CB200	12" Cobot Pedestal
RB-PED-18-CB200	18" Cobot Pedestal
RB-PED-24-CB200	24" Cobot Pedestal
RB-PED-30-CB200	30" Cobot Pedestal
RB-PED-36-CB200	36" Cobot Pedestal
RB-PED-42-CB200	42" Cobot Pedestal
RB-PED-48-CB200	48" Cobot Pedestal
RB-PED-12-CB400	12" Cobot Pedestal
RB-PED-18-CB400	18" Cobot Pedestal
RB-PED-24-CB400	24" Cobot Pedestal
RB-PED-30-CB400	30" Cobot Pedestal
RB-PED-36-CB400	36" Cobot Pedestal
RB-PED-42-CB400	42" Cobot Pedestal
RB-PED-48-CB400	48" Cobot Pedestal
RB-PED-18-CB600	18" Cobot Pedestal
RB-PED-24-CB600	24" Cobot Pedestal
RB-PED-30-CB600	30" Cobot Pedestal

ADAPTORS AND ACCESSORIES

Part #	Description/Includes
Standard Series	
RB-PED-EXTKIT	Extruded aluminum kit that mounts to the side of the standard pedestal for accessory mounting (valve bank, cable management, etc.)
COBOT Series - (hardware to mount adapter to pedestal included - robot mounting hardware not included)	
RB-PED-15ADAPTER-CB200	15 degree robot adapter for (UR3, UR3E, UR5, UR5E, UR10, UR10E, UR16, UR16E) (FANUC CRX-5iA, CRX-10iA, CRX-10iA/L) (Omron TM5, TM12, TM14)
RB-PED-45ADAPTER-CB200	45 degree robot adapter for (UR3, UR3E, UR5, UR5E, UR10, UR10E, UR16, UR16E) (FANUC CRX-5iA, CRX-10iA, CRX-10iA/L) (Omron TM5, TM12, TM14)
RB-CB200-MB-KIT	Cobot Pedestal Clamp On Base Mount for CB200 and CB400 pedestal series.

ROBOT MOUNTING KITS

Part #	Description/Includes - Hardware for Mounting Robot Not Included
RB-MP-MOTOMINI-KIT	Fully Assembled Robot Mounting Kit for MOTOMINI Robots Kit Includes: (1) 80/20 Mounting Frame Assembly, (1) MOTOMINI Mounting Plate, (4) Aluminum Extrusion End Caps
RB-MP-UR3E-KIT	Fully Assembled Robot Mounting Kit for UR3/3E Series Robots - Hardware for Mounting Robot Not Included Kit Includes: (1) 80/20 Mounting Frame Assembly, (1) RB-MP-U3RE Mounting Plate, (4) Aluminum Extrusion End Caps
RB-MP-UR5E-10E-KIT	Fully Assembled Robot Mounting Kit for UR5/5E & UR10/10E Series Robots - Hardware for Mounting Robot Not Included Kit Includes: (1) 80/20 Mounting Frame Assembly, (1) RB-MP-U5RE-10E Mounting Plate, (4) Aluminum Extrusion End Caps

TEACH PENDANT HOLDERS

Part #	Description
RB-TPH	Teach Pendant Holder
RB-TPH-FAN-CRX	Teach Pendant Holder for FANUC CRX

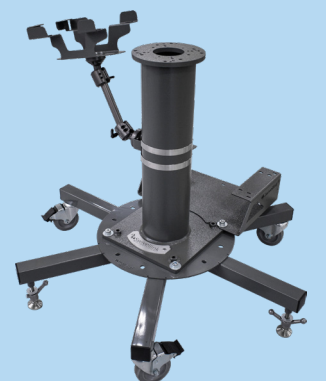
TEACH PENDANT KITS

IMPERIAL		METRIC	
Part #	Description	Part #	Description
AFSB-1004-TPH	Single Arm Robot Teach Pendant Holder w/ 4" Link Kit Includes: (2) AFSB-1 Ball Base, (2) AFSB-2 Knuckle, (1) AFSB-3-4 Link, (1) RB-TPH Teach Pendant Holder	SLM-100100-TPH	Single Arm Robot Teach Pendant Holder w/ 100mm Link Kit Includes: (2) SLM-1 Ball Base, (2) SLM-2 Knuckle, (1) SLM-3-100 Link, (1) RB-TPH Teach Pendant Holder
AFSB-1004-TPH-FAN-CRX	Single Arm Robot Teach Pendant Holder w/ 4" Link Kit Includes: (2) AFSB-1 Ball Base, (2) AFSB-2 Knuckle, (1) AFSB-3-4 Link, (1) RB-TPH-FAN-CRX Teach Pendant Holder	SLM-100100-TPH-FAN-CRX	Single Arm Robot Teach Pendant Holder w/ 100mm Link Kit Includes: (2) SLM-1 Ball Base, (2) SLM-2 Knuckle, (1) SLM-3-100 Link, (1) RB-TPH-FAN-CRX Teach Pendant Holder

MOBILE BASE

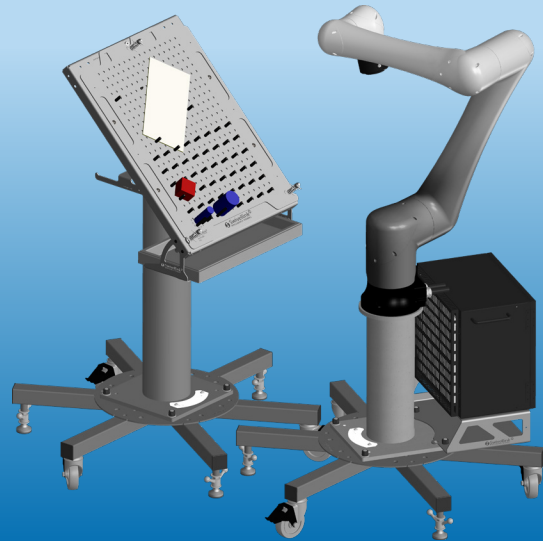
For the RB-PED-XX-CB200 and RB-PED-XX-CB400 series pedestals.
Cannot be used with the RB-PED-XX-CB600 series pedestals.

Part #	Description
RB-MB-COBOT	Mobile base with leveling feet and casters
RB-MB-ANCHOR	Anchor for RB-MB-COBOT mobile base leveling foot
RB-MB-CNTRLR-BKT	Controller bracket for RB-MB-COBOT mobile base. Mounts Robot controllers for UR3, UR3E, UR5, UR5E, UR10, UR10E, UR16, UR16E, FANUC CRX-5iA, CRX-10iA, CRX-10iA/L, and Omron TM5, TM12, TM14



MOBILE BASE & PARTS FEEDER

- Heavy-duty stainless-steel
- Setup information cut into template
- Robot calibration touch off indicators
- Diamond pattern settles parts into V for precise location
- Stackable templates to support taller parts
- Several template options
- Robot controller bracket



PARTS PRESENTATION KITS

Includes: Parts platform, 45° base adapter, template storage rack, catch pan & brackets, COBOT pedestal

Part #	Pedestal Height
RB-PPS-12CB200-45KIT	12"
RB-PPS-18CB200-45KIT	18"
RB-PPS-24CB200-45KIT	24"
RB-PPS-30CB200-45KIT	30"
RB-PPS-36CB200-45KIT	36"
RB-PPS-42CB200-45KIT	42"
RB-PPS-48CB200-45KIT	48"

PARTS FEEDER TEMPLATES

Part #	Spacing	Holds
RB-PFT-3096	30mm	96 parts
RB-PFT-6024	60mm	24 parts
RB-PFT-9012	90mm	12 parts
RB-PFT-BLANK	blank	
RB-PFT-PB25	adjustable	
RB-PFT-PB25-KIT	adjustable - comes with 2 rest pads	

MOBILE BASE

For the RB-PED-XX-CB200 and RB-PED-XX-CB400 series pedestals.
Cannot be used with the RB-PED-XX-CB600 series pedestals.

Part #	Description
RB-MB-COBOT	Mobile base with leveling feet and casters
RB-MB-ANCHOR	Anchor for RB-MB-COBOT mobile base leveling foot
RB-MB-CNTRLR-BKT	Controller bracket for RB-MB-COBOT mobile base. Mounts Robot controllers for UR3, UR3E, UR5, UR5E, UR10, UR10E, UR16, UR16E, FANUC CRX-5iA, CRX-10iA, CRX-10iA/L and Omron TM5, TM12, TM14

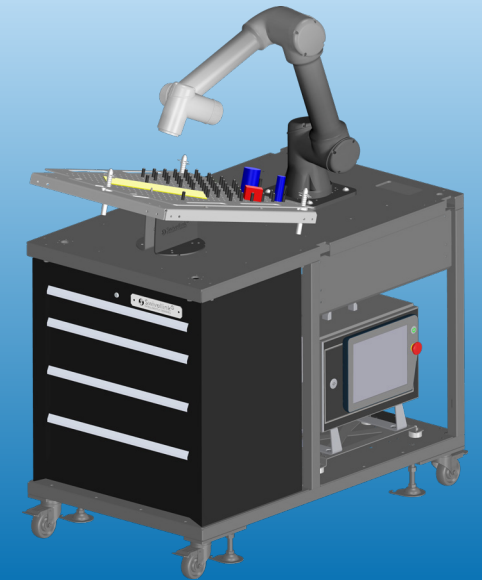
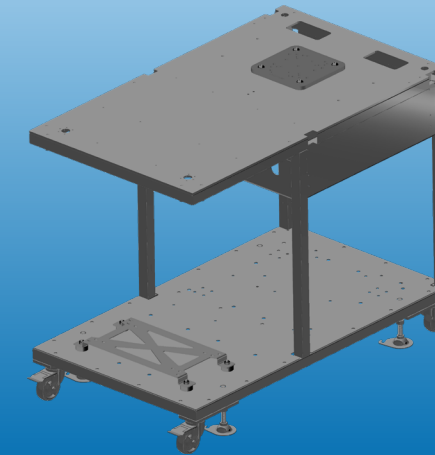
PLATFORM KITS

Part #	Description
RB-PFT-BASE-KIT	Flat platform for parts feeder
RB-PFT-15BASE-KIT	15° Base Kit
RB-PFT-45BASE-KIT	45° Base Kit

PARTS FEEDER ACCESSORIES

Part #	Description	Includes
RB-PFT-PEG25-10	Stackable Pegboard Pins	Pack of 10 pins and bolts
RB-PFT-PEG25-25	Stackable Pegboard Pins	Pack of 25 pins and bolts
RB-PFT-PEG25-50	Stackable Pegboard Pins	Pack of 50 pins and bolts
RB-PFT-REST-5	Pegboard Rest Pad	Pack of 5
RB-PFT-15ADAPTER-CB200	15 degree adapter, mounts to CB200 or CB400 pedestals and RB-PFT-BASE-KIT	
RB-PFT-45ADAPTER-CB200	45 degree adapter, mounts to CB200 or CB400 pedestals and RB-PFT-BASE-KIT	
RB-PFT-TMPHANG	Storage rack for parts feeder templates	
RB-PFT-CATCHPAN-KIT	Catch Pan Kit	Heavy-duty stainless-steel brackets, Stain-resistant plastic tray, 1 gallon capacity, Mounting hardware included

MOBILE CARTS



- Welded construction
- Mounts same robots as the CB200 series pedestal
- Comes with four casters & leveling feet
- Add wings to expand your work area
- Fits through a standard 36" door

MOBILE CARTS

Part #	Description
RB-MTC-CB300	COBOT Mobile Cart
RB-MTC-CB300-15KIT	COBOT Mobile Cart kit (Includes RB-PFT-15BASE-KIT)

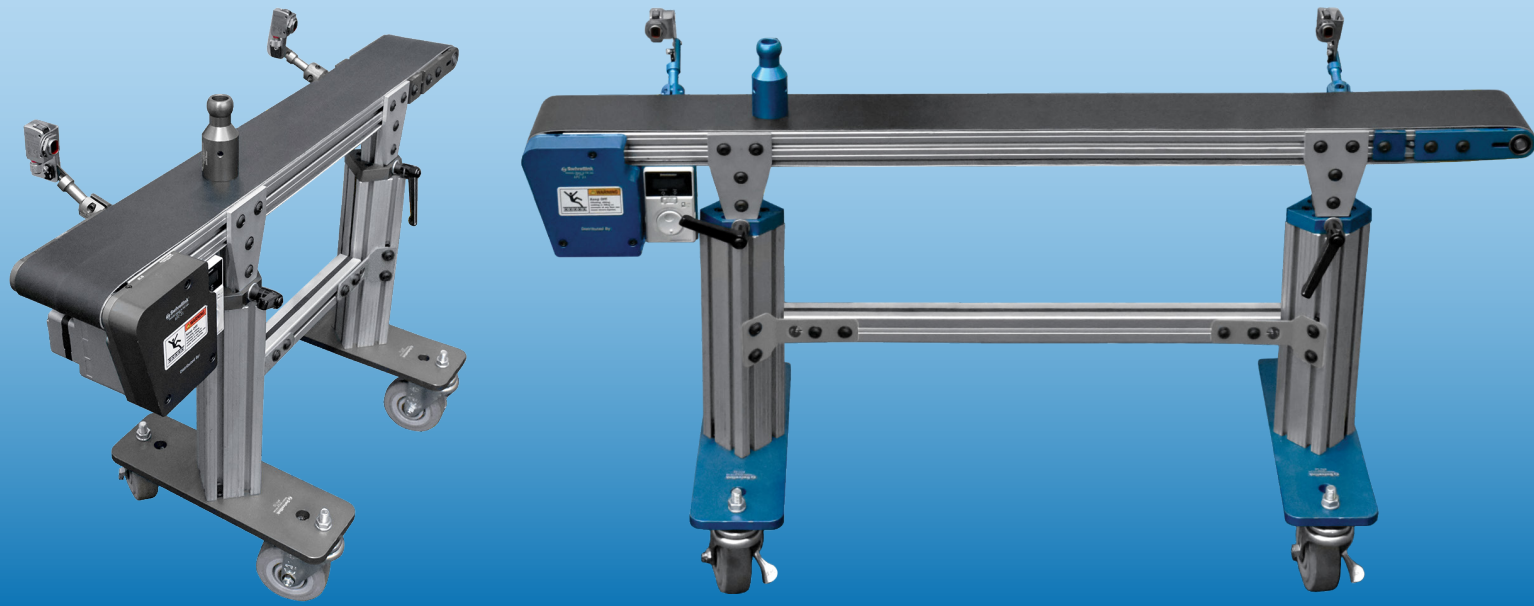
MOBILE CART ACCESSORIES

Part #	Description
RB-MTC-LEFTWING	Fold-down wing for left side of mobile cart
RB-MTC-RIGHTWING	Fold-down wing for right side of mobile cart
RB-MTC-FOOT	Leveling foot
RB-MTC-CASTER1	Caster

TOOLBOXES

Hardware to mount to mobile cart not included

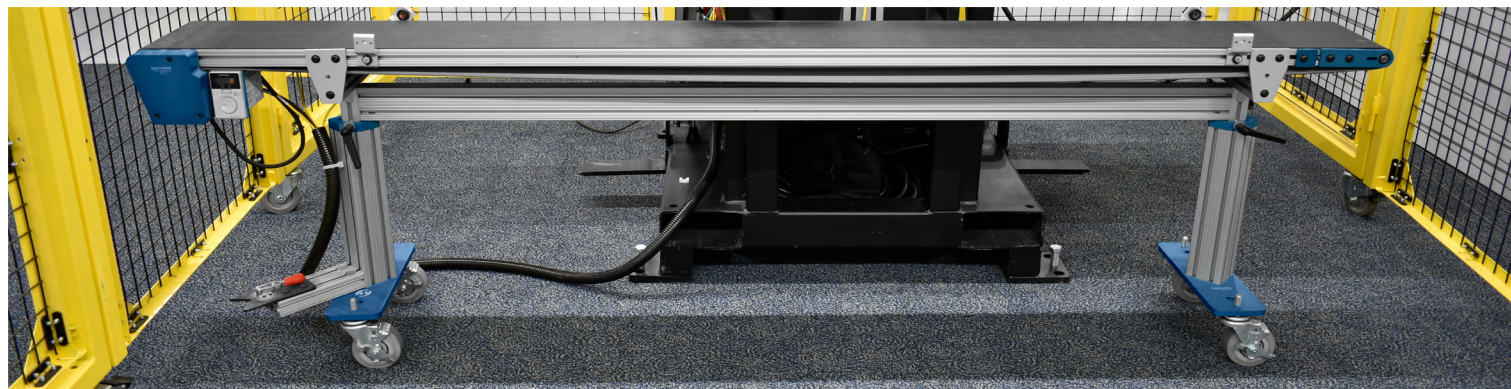
Part #	Description
RB-MTC-TBOX-1D	Single Drawer Tool Box – drawer size 15.2" long x 16.38" wide x 6.35" deep – drawers do not lock. Mounts to underside of cart.
RB-MTC-TBOX-2D	Two Drawer Tool Box – both drawers size 15.2" long x 16.38" wide x 6.35" deep – drawers do not lock. Mounts to underside of cart.
RB-MTC-TBOX-3D	Three Drawer Tool Box – drawers 1 & 2 size 15.2" long x 16.38" wide x 6.35" deep, drawer 3 size 15.2" long x 16.38" wide x 8.1" deep – drawers are keylockable – all drawers must be closed to lock. Mounts to base of cart.
RB-MTC-TBOX-4D	Drawer Tool Box – drawers 1 & 2 size 15.2" long x 16.38" wide x 2.85" deep, drawer 3 size 15.2" long x 16.38" wide x 6.35" deep, drawer 4 size 15.2" long x 16.38" wide x 8.1" deep – drawers are keylockable – all drawers must be closed to lock. Mounts to base of cart
RB-MTC-TBOX-5D	Five Drawer Tool Box – drawers 1, 2, 3, & 4 size 15.20 long x 16.38 wide x 2.85 deep, drawer 5 size 15.20 long x 16.38 wide x 8.10 deep – drawers are keylockable – all drawers must be closed to lock. Mounts to base of cart



The perfect conveyor for light to medium duty applications. Build your own or purchase one complete, the option is yours.

- Available in a variety of lengths and widths.
- Easily adjust the height with telescoping legs.
- Belt removal and tensioning is fast and easy.
- Multiple belt and motor options.
- Available in Metric or Imperial.
- V-guided belt design provides better tracking and alignment.

Application Photos



END DRIVE CONVEYORS BEDS
w/ V-Guided 2-Ply Monofilament Black PVC Belt
(Motor and Leg Stands Sold Separately)

IMPERIAL		METRIC	
Part #	Size	Part #	Size
AFC-1548-4140	1.5" x 48"	SLCM-401220-4140	40mm x 1220mm
AFC-1572-4140	1.5" x 72"	SLCM-401830-4140	40mm x 1830mm
AFC-1596-4140	1.5" x 96"	SLCM-402440-4140	40mm x 2440mm
AFC-3048-4140	3.0" x 48"	SLCM-801220-4140	80mm x 1220mm
AFC-3072-4140	3.0" x 72"	SLCM-801830-4140	80mm x 1830mm
AFC-3096-4140	3.0" x 96"	SLCM-802440-4140	80mm x 2440mm
AFC-4548-4140	4.5" x 48"	SLCM-1201220-4140	120mm x 1220mm
AFC-4572-4140	4.5" x 72"	SLCM-1201830-4140	120mm x 1830mm
AFC-4596-4140	4.5" x 96"	SLCM-1202440-4140	120mm x 2440mm
AFC-6048-4140	6.0" x 48"	SLCM-1601220-4140	160mm x 1220mm
AFC-6072-4140	6.0" x 72"	SLCM-1601830-4140	160mm x 1830mm
AFC-6096-4140	6.0" x 96"	SLCM-1602440-4140	160mm x 2440mm
AFC-7548-4140	7.5" x 48"	SLCM-2001220-4140	200mm x 1220mm
AFC-7572-4140	7.5" x 72"	SLCM-2001830-4140	200mm x 1830mm
AFC-7596-4140	7.5" x 96"	SLCM-2002440-4140	200mm x 2440mm
AFC-9048-4140	9.0" x 48"	SLCM-2401220-4140	240mm x 1220mm
AFC-9072-4140	9.0" x 72"	SLCM-2401830-4140	240mm x 1830mm
AFC-9096-4140	9.0" x 96"	SLCM-2402440-4140	240mm x 2440mm

REPLACEMENT 2-PLY MONOFILAMENT BLACK PVC BELTS

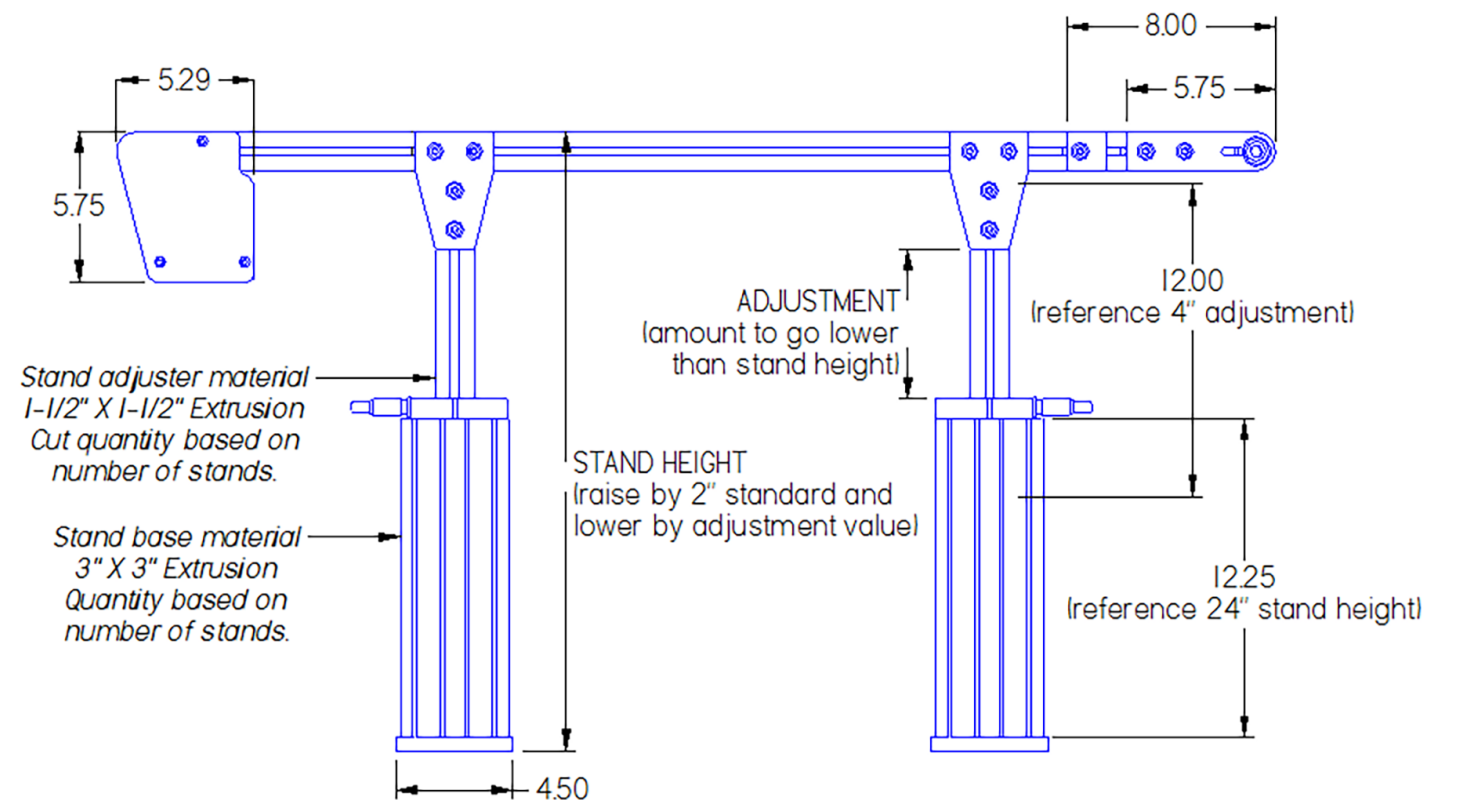
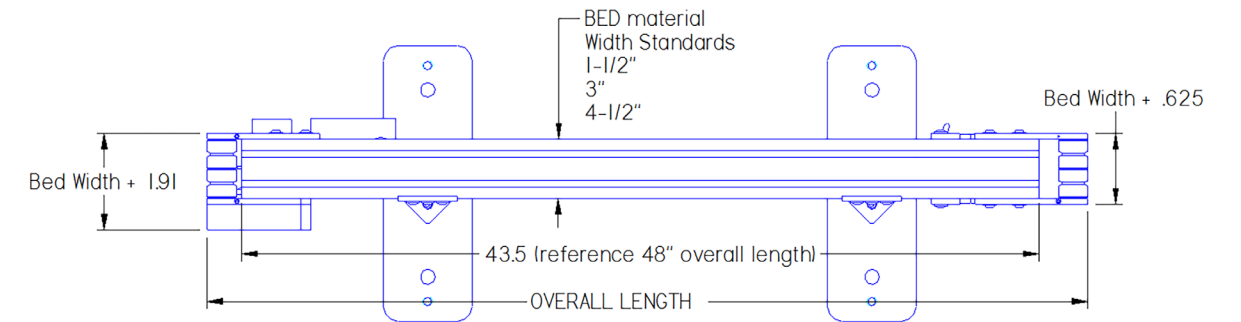
IMPERIAL		METRIC	
Part #	Description	Part #	Description
AFC-1548-BELT4140	Belt for 1.5" x 48" Conveyor	SLCM-401220-BELT4140	Belt for 40mm x 1220mm Conveyor
AFC-1572-BELT4140	Belt for 1.5" x 72" Conveyor	SLCM-401830-BELT4140	Belt for 40mm x 1830mm Conveyor
AFC-1596-BELT4140	Belt for 1.5" x 96" Conveyor	SLCM-402440-BELT4140	Belt for 40mm x 2440mm Conveyor
AFC-3048-BELT4140	Belt for 3" x 48" Conveyor	SLCM-801220-BELT4140	Belt for 80mm x 1220mm Conveyor
AFC-3072-BELT4140	Belt for 3" x 72" Conveyor	SLCM-801830-BELT4140	Belt for 80mm x 1830mm Conveyor
AFC-3096-BELT4140	Belt for 3" x 96" Conveyor	SLCM-802440-BELT4140	Belt for 80mm x 2440mm Conveyor
AFC-4548-BELT4140	Belt for 4.5" x 48" Conveyor	SLCM-1201220-BELT4140	Belt for 120mm x 1220mm Conveyor
AFC-4572-BELT4140	Belt for 4.5" x 72" Conveyor	SLCM-1201830-BELT4140	Belt for 120mm x 1830mm Conveyor
AFC-4596-BELT4140	Belt for 4.5" x 96" Conveyor	SLCM-1202440-BELT4140	Belt for 120mm x 2440mm Conveyor
AFC-6048-BELT4140	Belt for 6" x 48" Conveyor	SLCM-1601220-BELT4140	Belt for 160mm x 1220mm Conveyor
AFC-6072-BELT4140	Belt for 6" x 72" Conveyor	SLCM-1601830-BELT4140	Belt for 160mm x 1830mm Conveyor
AFC-6096-BELT4140	Belt for 6" x 96" Conveyor	SLCM-1602440-BELT4140	Belt for 160mm x 2440mm Conveyor
AFC-7548-BELT4140	Belt for 7.5" x 48" Conveyor	SLCM-2001220-BELT4140	Belt for 200mm x 1220mm Conveyor
AFC-7572-BELT4140	Belt for 7.5" x 72" Conveyor	SLCM-2001830-BELT4140	Belt for 200mm x 1830mm Conveyor
AFC-7596-BELT4140	Belt for 7.5" x 96" Conveyor	SLCM-2002440-BELT4140	Belt for 200mm x 2440mm Conveyor
AFC-9048-BELT4140	Belt for 9" x 48" Conveyor	SLCM-2401220-BELT4140	Belt for 240mm x 1220mm Conveyor
AFC-9072-BELT4140	Belt for 9" x 72" Conveyor	SLCM-2401830-BELT4140	Belt for 240mm x 1830mm Conveyor
AFC-9096-BELT4140	Belt for 9" x 96" Conveyor	SLCM-2402440-BELT4140	Belt for 240mm x 2440mm Conveyor

OPTIONAL ACCESSORIES

Imperial Part #	Metric Part #	Description
Motors		
CONV-BLM5120HP-50AS	CONV-BLM5120HP-50AS	Brushless DC Motor/AC Input (1/6hp, 50:1 gear ratio, offers conveyor belt speed up to 38 fpm, w/ 190 lbs max push force)
CONV-BLM5120HP-20AS	CONV-BLM5120HP-20AS	Brushless DC Motor/AC Input (1/6hp, 20:1 gear ratio, offers conveyor belt speed up to 95 fpm, w/ 85 lbs max push force)
CONV-BLM-5120HP-10AS	CONV-BLM-5120HP-10AS	Brushless DC Motor/AC Input (1/6hp, 10:1 gear ratio, offers conveyor belt speed up to 191 fpm, w/ 43 lbs max push force)
Driver/Speed Controller		
CONV-BMUD120-A2	CONV-BMUD120-A2	Driver/Speed Controller (Single-Phase 100-120 Vac)
CONV-BMUD120-C2	CONV-BMUD120-C2	Driver/Speed Controller (Single-Phase, Three-Phase 200-240 VAC)
Connection Cable		
CONV-CC005HBLB	CONV-CC005HBLB	Connection Cable (.5m)
CONV-CC010HBLB	CONV-CC010HBLB	Connection Cable (1m)
Side Rail Options		
AFC-27	SLCM-27	Side Rail Bracket W/Mounting Hardware (Need 2 Per Rail)
CONV-27-RAIL	CONV-27-RAIL	Side Rail (Sold Per Inch)
CONV-27-RAILHOLDER	CONV-27-RAILHOLDER	Side Rail Holder (Takes 2 Per Rail)
AFC-BRACKET4341-HDWR	SLCM-BRACKET40-4341-HDWR	Flat Bracket w/ Hardware For Mounting: Imperial: AFC-(1824/2436/3248)-LSK-1545 Leg Stand Kit to a 1.5"/3"/4.5" Wide Conveyor Metric: SLCM-(455610/610915/8101220)-LSK-40120 Leg Stand Kit to a 40mm/80mm/120mm Wide Conveyor
Casters		
AFC-CASTER1	SLCM-CASTER1	Single Swivel Locking Caster
AFC-CASTER4	SLCM-CASTER4	Set of 4 Swivel Locking Casters

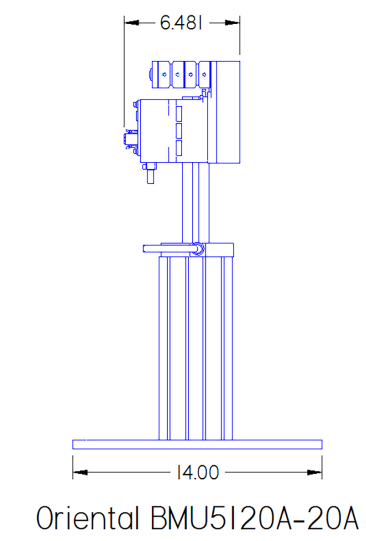
LEG STAND KITS

IMPERIAL			METRIC		
Part #	Description	Conveyor Width	Part #	Description	Conveyor Width
Leg Stands - Minimum 2 Required per Conveyor					
AFC-1824-LSK-1545	18"-24" Adjustment	1.5", 3", 4.5"	SLCM-455610-LSK-40120	455mm - 610mm Adjustment	40mm, 80mm, 120mm
AFC-2436-LSK-1545	24"-36" Adjustment	1.5", 3", 4.5"	SLCM-610915-LSK-40120	610mm - 915mm Adjustment	40mm, 80mm, 120mm
AFC-3248-LSK-1545	32"-48" Adjustment	1.5", 3", 4.5"	SLCM-8101220-LSK-40120	810mm - 1220mm Adjustment	40mm, 80mm, 120mm
AFC-1824-LSK-60	18"-24" Adjustment	6.0"	SLCM-455610-LSK-160	455mm - 610mm Adjustment	160mm
AFC-2436-LSK-60	24"-36" Adjustment	6.0"	SLCM-610915-LSK-160	610mm - 915mm Adjustment	160mm
AFC-3248-LSK-60	32"-48" Adjustment	6.0"	SLCM-8101220-LSK-160	810mm - 1220mm Adjustment	160mm
AFC-1824-LSK-75	18"-24" Adjustment	7.5"	SLCM-455610-LSK-200	455mm - 610mm Adjustment	200mm
AFC-2436-LSK-75	24"-36" Adjustment	7.5"	SLCM-610915-LSK-200	610mm - 915mm Adjustment	200mm
AFC-3248-LSK-75	32"-48" Adjustment	7.5"	SLCM-8101220-LSK-200	810mm - 1220mm Adjustment	200mm
AFC-1824-LSK-90	18"-24" Adjustment	9.0"	SLCM-455610-LSK-240	455mm - 610mm Adjustment	240mm
AFC-2436-LSK-90	24"-36" Adjustment	9.0"	SLCM-610915-LSK-240	610mm - 915mm Adjustment	240mm
AFC-3248-LSK-90	32"-48" Adjustment	9.0"	SLCM-8101220-LSK-240	810mm - 1220mm Adjustment	240mm
Leg Stand Braces					
AFC-BRACE-48KIT	Includes Extrusion & (4) AFC-26 Mounting Brackets w/Hardware	48" long	SLCM-BRACE-1220KIT	Includes Extrusion & (4) SLCM-26 Mounting Brackets w/Hardware	1220mm long
AFC-BRACE-72KIT	Includes Extrusion & (4) AFC-26 Mounting Brackets w/Hardware	72" long	SLCM-BRACE-1830KIT	Includes Extrusion & (4) SLCM-26 Mounting Brackets w/Hardware	1830mm long
AFC-BRACE-96KIT	Includes Extrusion & (4) AFC-26 Mounting Brackets w/Hardware	96" long	SLCM-BRACE-2440KIT	Includes Extrusion & (4) SLCM-26 Mounting Brackets w/Hardware	2440mm long



Stand adjuster material
1-1/2" X 1-1/2" Extrusion
Cut quantity based on number of stands.

Stand base material
3" X 3" Extrusion
Quantity based on number of stands.



Oriental BMU5120A-20A

The PLx is a universal device designed to insert in series with equipment safety devices and induce faults into that safety system to validate the functionality and diagnostic coverage of the safety system.

Properly used, the PLx will validate that the proper safety design Performance Level has been achieved by: design, wiring, and programming. This type of testing is required by the ISO 13849-2 safety standard.



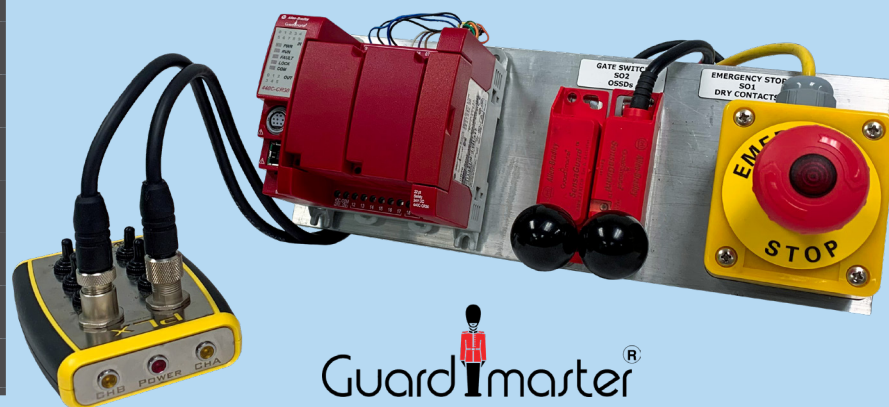
Faults able to be induced:

- Single Channel Break (x2 Ch A & Ch B)
- Cross Short Between Channels (x2 Short A-2-B & B-2-A)
- Short Channel to Ground (x2 A-2-GND & B-2-GND)



The PLx enables the user to induce faults into the safety system while monitoring both the built in PLx indicator status lights as well as the safety system controller for the proper result.

This is accomplished without removing single wires or inducing shorts through terminals.



Guardmaster®

PLx	
Part #	Description
PLx Base Unit	
SWL-PLX	PLx Base Unit
PLx Cables	
SWL-PLX-BAN-85	M12 8 Pin to 5 Pin Banner Cable
SWL-PLX-BAN-88	M12 8 Pin to 8 Pin Banner Cable
SWL-PLX-ROC-85	M12 8 Pin to 5 Pin Rockwell Cable
SWL-PLX-ROC-88	M12 8 Pin to 8 Pin Rockwell Cable
SWL-PLX-SCH-85	M12 8 Pin to 5 Pin Schmersal Cable
SWL-PLX-SCH-88	M12 8 Pin to 8 Pin Schmersal Cable
SWL-PLX-SIC-85	M12 8 Pin to 5 Pin Sick Cable
SWL-PLX-SIC-88	M12 8 Pin to 8 Pin Sick Cable

What is the PLx?

The PLx family of safety validation devices are compact, hand-held devices that are designed to diagnose and induce faults in machinery safety systems to validate that the appropriate safety performance level has been achieved by the hardware design, manufacture, assembly, wiring, and programming of the system.

Where is this device used?

The PLx was designed primarily for use on industrial manufacturing equipment. Testing of such systems is required by industry recognized safety standards on a regular basis.

Who is the PLx For?

The primary users of the PLx are: Environmental, Health, and Safety Professionals; Maintenance and Plant Safety Personnel; Industrial, Mechanical, Electrical, Control Engineers, and Technicians; Original equipment Manufacturers, Machinery Builders, and Systems Integrators; Equipment & Component Manufacturers and Suppliers; Educators and Students; Safety Specialists; and any person wishing to validate their machinery safety functions.

How does the PLx work?

The design of the PLx allows it to be quickly inserted into systems through its quick disconnect connector interface that will be available in multiple formats. The PLx base model uses an 8-Pin M12 quick-disconnect connector. Using extension or adapter cables as necessary, insert the PLx in series with the device to be tested. The "device" port is connected to the safety device, and the "System" Port is connected to the safety controller.

The PLx can then be used to validate the safety system. This is accomplished by intercepting and manipulating the safety device's signals and power connections. The user can induce faults into the safety system and control the safety device's functions through manipulation of an array of switches on the PLx. Status indicators of the safety device's signals and power are provided on the PLx unit for observing the status and results of the safety device while in operation and during fault induction testing.

How do I know my device is compatible for use with the PLx?

The PLx base model is The PLx base model is designed with the following pin configuration:

Pin2 +24VDC Pin7 0VDC
 Pin5 ChA / OSSD1 Pin6 ChB / OSSD2

Device manufacture may have different pinouts. Adapter cables can be purchased or made to connect virtually any standard safety device to the PLx.

How does the PLx differ from current practices?

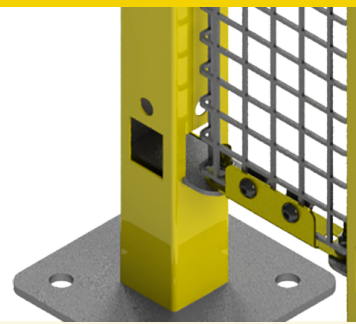
The PLx removes the person from interfacing with the wiring and enclosure. It can be safely introduced into the system at the device or the device connection's quick disconnect. The PLx can remain in the circuit during the entire diagnostic and fault induction testing and be removed when all testing is completed. This method improves both the safety of performing the functional testing as well as increasing the efficiency of the diagnostic and testing functions.

STRONGGUARD® Modular Guarding

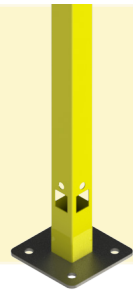
Quality ♦ Flexible ♦ Cost Competitive ♦ Assembled Panels ♦ Easy to Install ♦ Modular

FEATURES

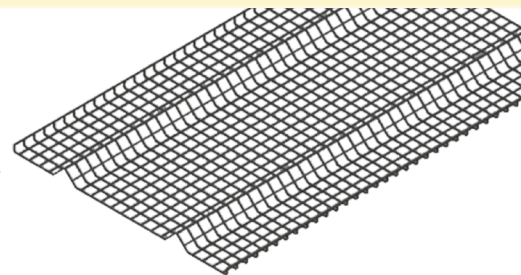
Self-locating keyed tabs allow for quick, repeatable, and strong panel connection



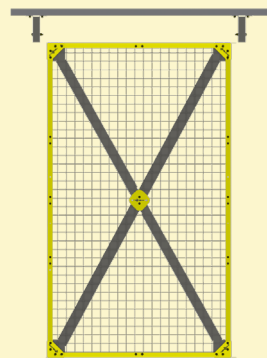
Symmetrical posts and feet for user-friendly installation and reconfiguration



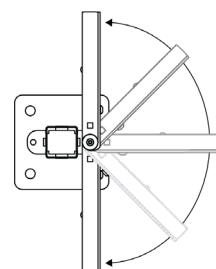
Panel mesh sections have factory-formed strengthening ribs for added panel strength



X-bracing on all doors to withstand harsh manufacturing environments

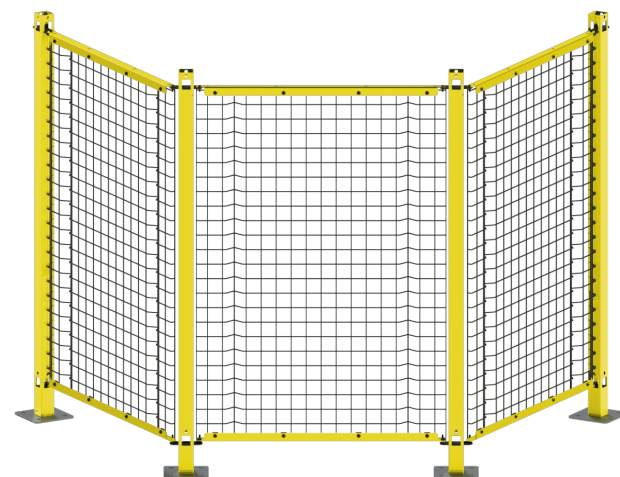


Up to 180° of freedom to easily route panels around obstacles without costly customization



Mix and Match

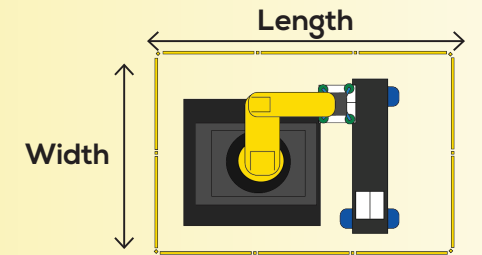
- 36" or 48" tall stackable panels
- Up to 8' width
- 1" mesh, 2" mesh, or clear polycarbonate
- Sliding or swing door
- Posts are welded to 1/4" thick foot plate, providing dependable strength
- Easily add brackets to mount accessories
- 36" or 48" wide panels can be replaced with doors
- Powder coated to provide durability even in the harshest environments
- Bolted panel design makes it easy to replace mesh
- Designed, engineered, and assembled in the USA
- Simple assembly without specialized tools



HOW TO CHOOSE YOUR GUARDING

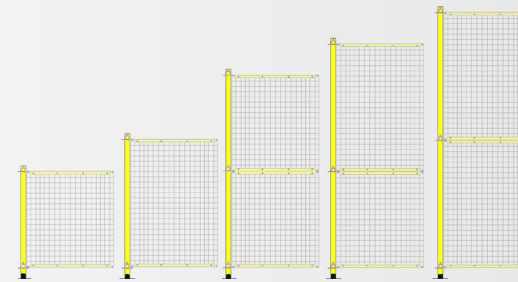
Step 1. Measure Perimeter

First, figure out the total inches of guarding needed by measuring the perimeter of the area that's going to be guarded.



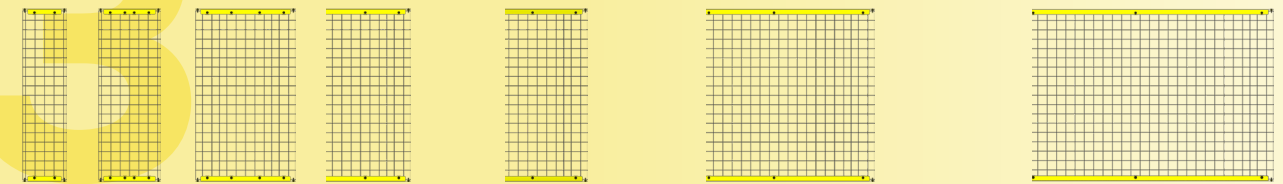
Step 2. Post Height

Choose post to match your panel height.



Step 3. Panel Width

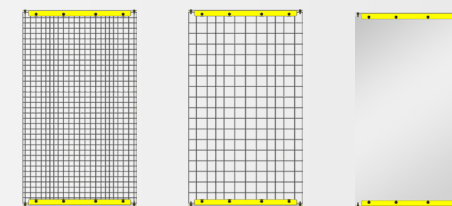
Mix and match panels of various widths to get more exact lengths and protect your perimeter.



Step 4. Panel Type

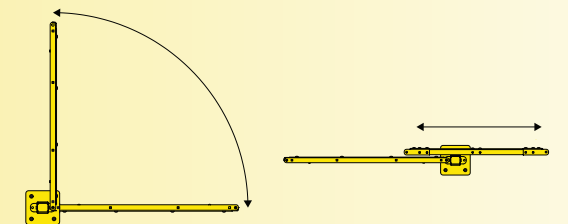
Panel Types Include:

- 1x1 Inch Mesh
- 2x2 Inch Mesh
- Polycarbonate



Step 5. Door Options

You may choose from a swinging door or a sliding door.

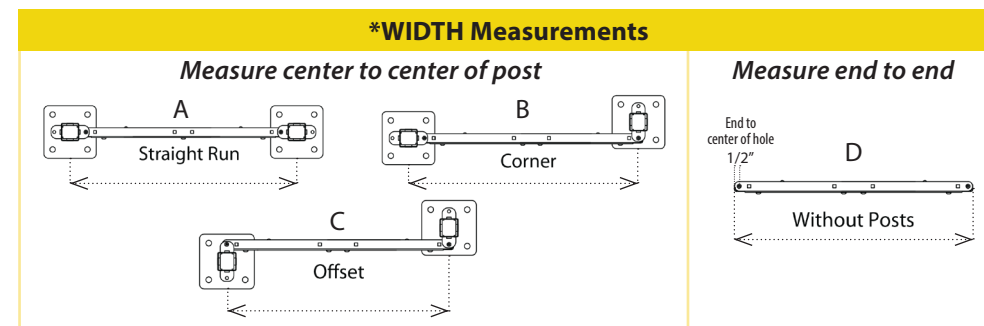


Stronguard Configurator

An easy way to build your guarding setup, use our online configurator to map your guarding and create 1 config number for ordering

Wall	Length	Angle
Wall 1	32 ft 0 in	90 ↓
Wall 2	16 ft 0 in	150 ↓
Wall 3	45 ft 0 in	180 ↓

SHORT PANELS		TALL PANELS		*WIDTH			
Part #	Type	Part #	Type	A	B	C	D
SG2-0836P-11	1x1" Mesh	SG2-0848P-11	1x1" Mesh	8"	6 3/16"	4 3/8"	5 3/8"
SG2-0836P-22	2x2" Mesh	SG2-0848P-22	2x2" Mesh	8"	6 3/16"	4 3/8"	5 3/8"
SG2-0836P-P	Polycarbonate	SG2-0848P-P	Polycarbonate	8"	6 3/16"	4 3/8"	5 3/8"
SG2-1236P-11	1x1" Mesh	SG2-1248P-11	1x1" Mesh	12"	10 3/16"	8 3/8"	9 3/8"
SG2-1236P-22	2x2" Mesh	SG2-1248P-22	2x2" Mesh	12"	10 3/16"	8 3/8"	9 3/8"
SG2-1236P-P	Polycarbonate	SG2-1248P-P	Polycarbonate	12"	10 3/16"	8 3/8"	9 3/8"
SG2-1636P-11	1x1" Mesh	SG2-1648P-11	1x1" Mesh	16"	14 3/16"	12 3/8"	13 3/8"
SG2-1636P-22	2x2" Mesh	SG2-1648P-22	2x2" Mesh	16"	14 3/16"	12 3/8"	13 3/8"
SG2-1636P-P	Polycarbonate	SG2-1648P-P	Polycarbonate	16"	14 3/16"	12 3/8"	13 3/8"
SG2-2436P-11	1x1" Mesh	SG2-2448P-11	1x1" Mesh	24"	22 3/16"	20 3/8"	21 3/8"
SG2-2436P-22	2x2" Mesh	SG2-2448P-22	2x2" Mesh	24"	22 3/16"	20 3/8"	21 3/8"
SG2-2436P-P	Polycarbonate	SG2-2448P-P	Polycarbonate	24"	22 3/16"	20 3/8"	21 3/8"
SG2-3236P-11	1x1" Mesh	SG2-3248P-11	1x1" Mesh	32"	30 3/16"	28 3/8"	29 3/8"
SG2-3236P-22	2x2" Mesh	SG2-3248P-22	2x2" Mesh	32"	30 3/16"	28 3/8"	29 3/8"
SG2-3236P-P	Polycarbonate	SG2-3248P-P	Polycarbonate	32"	30 3/16"	28 3/8"	29 3/8"
SG2-3636P-11	1x1" Mesh	SG2-3648P-11	1x1" Mesh	36"	34 3/16"	32 3/8"	33 3/8"
SG2-3636P-22	2x2" Mesh	SG2-3648P-22	2x2" Mesh	36"	34 3/16"	32 3/8"	33 3/8"
SG2-3636P-P	Polycarbonate	SG2-3648P-P	Polycarbonate	36"	34 3/16"	32 3/8"	33 3/8"
SG2-4836P-11	1x1" Mesh	SG2-4848P-11	1x1" Mesh	48"	46 3/16"	44 3/8"	45 3/8"
SG2-4836P-22	2x2" Mesh	SG2-4848P-22	2x2" Mesh	48"	46 3/16"	44 3/8"	45 3/8"
SG2-4836P-P	Polycarbonate	SG2-4848P-P	Polycarbonate	48"	46 3/16"	44 3/8"	45 3/8"
SG2-6036P-11	1x1" Mesh	SG2-6048P-11	1x1" Mesh	60"	58 3/16"	56 3/8"	57 3/8"
SG2-6036P-22	2x2" Mesh	SG2-6048P-22	2x2" Mesh	60"	58 3/16"	56 3/8"	57 3/8"
SG2-6036P-P	Polycarbonate	SG2-6048P-P	Polycarbonate	60"	58 3/16"	56 3/8"	57 3/8"
SG2-7236P-11	1x1" Mesh	SG2-7248P-11	1x1" Mesh	72"	70 3/16"	68 3/8"	69 3/8"
SG2-7236P-22	2x2" Mesh	SG2-7248P-22	2x2" Mesh	72"	70 3/16"	68 3/8"	69 3/8"
SG2-7236P-P	Polycarbonate	SG2-7248P-P	Polycarbonate	72"	70 3/16"	68 3/8"	69 3/8"
SG2-8436P-11	1x1" Mesh	SG2-8448P-11	1x1" Mesh	84"	82 3/16"	80 3/8"	81 3/8"
SG2-8436P-22	2x2" Mesh	SG2-8448P-22	2x2" Mesh	84"	82 3/16"	80 3/8"	81 3/8"
SG2-8436P-P	Polycarbonate	SG2-8448P-P	Polycarbonate	84"	82 3/16"	80 3/8"	81 3/8"
SG2-9636P-11	1x1" Mesh	SG2-9648P-11	1x1" Mesh	96"	94 3/16"	92 3/8"	93 3/8"
SG2-9636P-22	2x2" Mesh	SG2-9648P-22	2x2" Mesh	96"	94 3/16"	92 3/8"	93 3/8"
SG2-9636P-P	Polycarbonate	SG2-9648P-P	Polycarbonate	96"	94 3/16"	92 3/8"	93 3/8"



SWINGING DOOR KITS			
Part #	Size	Type	A
SG2-3636SW-36DK11	Dual short	1x1" Mesh	36"
SG2-3636SW-36DK22	Dual short	2x2" Mesh	36"
SG2-3636SW-36DKP	Dual short	Polycarbonate	36"
SG2-3648SW-36DK11	Tall/short	1x1" Mesh	36"
SG2-3648SW-36DK22	Tall/short	2x2" Mesh	36"
SG2-3648SW-36DKP	Tall/short	Polycarbonate	36"
SG2-4848SW-36DK11	Dual tall	1x1" Mesh	36"
SG2-4848SW-36DK22	Dual tall	2x2" Mesh	36"
SG2-4848SW-36DKP	Dual tall	Polycarbonate	36"
SG2-3636SW-48DK11	Dual short	1x1" Mesh	48"
SG2-3636SW-48DK22	Dual short	2x2" Mesh	48"
SG2-3636SW-48DKP	Dual short	Polycarbonate	48"
SG2-3648SW-48DK11	Tall/short	1x1" Mesh	48"
SG2-3648SW-48DK22	Tall/short	2x2" Mesh	48"
SG2-3648SW-48DKP	Tall/short	Polycarbonate	48"
SG2-4848SW-48DK11	Dual tall	1x1" Mesh	48"
SG2-4848SW-48DK22	Dual tall	2x2" Mesh	48"
SG2-4848SW-48DKP	Dual tall	Polycarbonate	48"
SG2-36SW-36DK11	Single Short	1x1" Mesh	36"
SG2-36SW-36DK22	Single Short	2x2" Mesh	36"
SG2-36SW-36DKP	Single Short	Polycarbonate	36"
SG2-36SW-48DK11	Single Tall	1x1" Mesh	48"
SG2-36SW-48DK22	Single Tall	2x2" Mesh	48"
SG2-36SW-48DKP	Single Tall	Polycarbonate	48"
SG2-48SW-36DK11	Single Short	1x1" Mesh	36"
SG2-48SW-36DK22	Single Short	2x2" Mesh	36"
SG2-48SW-36DKP	Single Short	Polycarbonate	36"
SG2-48SW-48DK11	Single Tall	1x1" Mesh	48"
SG2-48SW-48DK22	Single Tall	2x2" Mesh	48"
SG2-48SW-48DKP	Single Tall	Polycarbonate	48"

Final measurements for all swinging door kits are the same as the panel they replace.

SLIDING DOOR KITS			
Part #	Size	Type	A
SG2-3636SLD-36DK11	Dual short	1x1" Mesh	36"
SG2-3636SLD-36DK22	Dual short	2x2" Mesh	36"
SG2-3636SLD-36DKP	Dual short	Polycarbonate	36"
SG2-3648SLD-36DK11	Tall/short	1x1" Mesh	36"
SG2-3648SLD-36DK22	Tall/short	2x2" Mesh	36"
SG2-3648SLD-36DKP	Tall/short	Polycarbonate	36"
SG2-4848SLD-36DK11	Dual tall	1x1" Mesh	36"
SG2-4848SLD-36DK22	Dual tall	2x2" Mesh	36"
SG2-4848SLD-36DKP	Dual tall	Polycarbonate	36"
SG2-3636SLD-48DK11	Dual short	1x1" Mesh	48"
SG2-3636SLD-48DK22	Dual short	2x2" Mesh	48"
SG2-3636SLD-48DKP	Dual short	Polycarbonate	48"
SG2-3648SLD-48DK11	Tall/short	1x1" Mesh	48"
SG2-3648SLD-48DK22	Tall/short	2x2" Mesh	48"
SG2-3648SLD-48DKP	Tall/short	Polycarbonate	48"
SG2-4848SLD-48DK11	Dual tall	1x1" Mesh	48"
SG2-4848SLD-48DK22	Dual tall	2x2" Mesh	48"
SG2-4848SLD-48DKP	Dual tall	Polycarbonate	48"

POSTS		
Part #	Description	Height
SG2-36POST-ASY	For single short panel	43 1/4"
SG2-3636POST-ASY	For dual short panel	80 1/8"
SG2-3648POST-ASY	For short bottom & tall top panel	92"
SG2-48POST-ASY	For single tall panel	55 1/2"
SG2-4836POST-ASY	For tall bottom & short top panel	92"
SG2-4848POST-ASY	For dual tall panel	104"

ACCESSORIES	
Part #	Description
SG2-TAB-END	End post tab
SG2-TAB-CENTER	Center post tab
SG2-TAB-KEEPER	Keeper post tab
SG2-ANCHOR BOLT	Anchor bolt
SG2-DEMO CASE	Demo case
SG2-3636-DGB-LS	Gap bracket kit for dual short left door
SG2-3636-DGB-RS	Gap bracket kit for dual short right door
SG2-3648-DGB-LS	Gap bracket kit for tall/short left door
SG2-3648-DGB-RS	Gap bracket kit for tall/short right door
SG2-4848-DGB-LS	Gap bracket kit for dual tall left door
SG2-4848-DGB-RS	Gap bracket kit for dual tall right door

LIGHT CURTAIN MOUNTS/TABS	
Part #	Description
SG2-LCM-36	Light curtain mount short
SG2-LCM-48	Light curtain mount tall
SG2-DL-801	Swing door latch & mounting plate assembly
SG2-DL-800	Swing door interlock plate assembly (latch not included)
SG2-DL-501	Sliding door latch & plate assembly
SG2-DL-500	Sliding door interlock plate assembly (latch not included)
SG2-TAB-LCM-PANEL	Light curtain mount to panel post tab (to mount light curtain to one side and panel on the opposite side)
SG2-TAB-LCM	Light curtain mount post tab (to mount light curtain on opposite sides or only a light curtain on one side of post)

